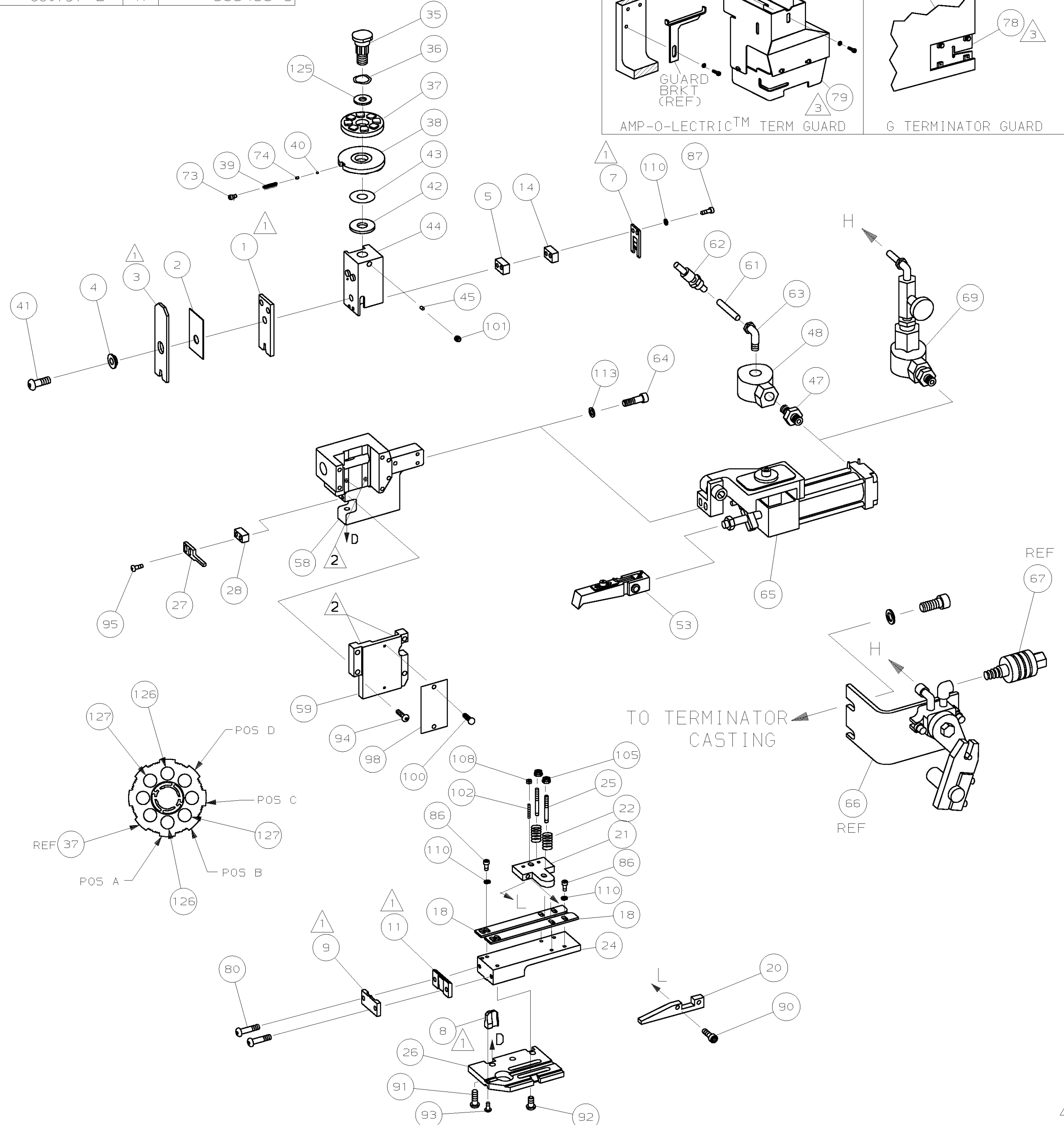
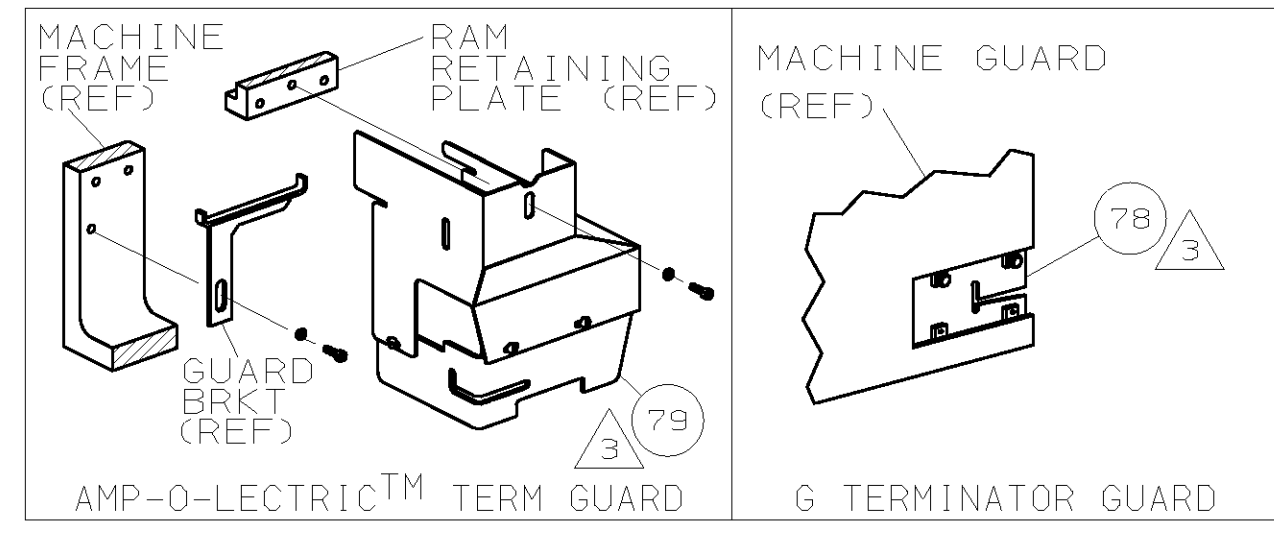


PART NUMBER	REV	FIRST USED
680791-1	A	122500-1
680791-2	A	565435-5



- ① RECOMMENDED SPARE PARTS.
- ② GREASE LIGHTLY.
- ③ GUARD MUST BE IN PLACE WHEN OPERATING APPLICATOR IN A BENCH MACHINE.
- ④ SEE DRAWING FOR COMPONENTS
- ⑤ ITEM 78 USED WITH G TERMINATOR ONLY.
- ⑥ CUT TO LENGTH AT ASSY

TERMINAL NAME: RING		CRIMP DATA (NON-AMP TERMINAL-AMP SPEC)			
AMP P/N	MFG P/N	PAD LTR	CRIMP HEIGHT	WIRE SIZE	
286791	100934-D01W	A	.119 ±.002 [3.02 ±0.05mm]	10	
		B	.108 ±.002 [2.74 ±0.05mm]	12	
		C	NOT	USED	
		D	NOT	USED	
CRIMP	SIZE	TYPE	RANGE		
WIRE	.250 [6.35mm]	F	12-10		
INSUL	.375 [9.53mm]	F	∅.280 MAX		
WIRE STRIP LENGTH	TERM APPL SPEC	FEED	APPL INSTRUCTION	SET UP GAGE	LAYOUT
.297-.312	NONE	1.572	408-8039	458638-1	L2213

QTY	REV	U/M	DWG SIZE	PART NO	DESCRIPTION	ITEM NO
1						129
1						128
2	2	-	C	6-354778-3	PIN, WIRE DISC (.2810)B	127
2	2	-	C	3-354778-5	PIN, WIRE DISC (.2670)A	126
1	1	-	A	986950-1	WASHER, FLAT PRECISION	125
1	1	-	A	217238-1	GENERAL INSTRUCTION PACKAGE	124
1	1	-	-	4088039	EF APPL INST 408-8039	123
						122
						121
						120
						119
						118
						117
						116
						115
						114
2	2	-	A	21024-5	WASHER, LOCK (#10) AIR ASSY	113
						112
4	4	-	A	21024-4	WASHER, LOCK (NO. 8) SHEAR BL	110
						109
2	2	-	A	21018-4	NUT, HEX (4-40) DRAG	108
						107
						106
2	2	-	A	21022-2	NUT, HEX 5L (8-32) DRAG STUD	105
						104
						103
2	2	-	A	2-21006-6	SCR, SKT SET (4-40x.62) DRAG	102
1	1	-	A	21009-2	SCR, SKT SET (1/4-20x.25) RAM	101
2	2	-	A	21017-2	SCR, DRIVE (#2x.19) ID PLATE	100
						99
1	1	-	B	461264-1	PLATE, IDENTIFICATION	98
						97
						96
2	2	-	A	2-21002-2	SCR, BHC (8-32x.50) STRIPPER	95
4	4	-	A	2-21002-9	SCR, BHC (10-32x.75) CAP	94
1	1	-	A	22733-8	SCR, BHC (8-32x.38 LW) ANVIL	93
4	4	-	A	3-21002-3	SCR, BHC (1/4-20x.50) ST 6D PL	92
3	3	-	A	2-22733-8	SCR, BHC (1/4-20x.62) H5G	91
2	2	-	A	1-21000-3	SCR, SHC (4-40x.25) DRAG	90
						89
						88
2	2	-	A	3-21000-2	SCR, SHC (8-32x1.12) SLUG BLADE	87
4	4	-	A	2-21000-6	SCR, SHC (8-32x.38) STRIP GUIDE	86
						85
						84
						83
						82
						81
2	2	-	A	3-21002-0	SCR, BHC (10-32x.88) SHEAR PL	80
1	-	-	A	455750-7	GUARD ASSY	79
-	REF	-	A	679532-1	INSERT, GUARD	78
						77
						76
						75
1	1	-	A	690603-1	SPRING, ASSIST	74
1	1	-	A	23030-1	SCR, SKT CAP (6-32x.25) CP DSC	73
						72
						71

QTY	REV	U/M	DWG SIZE	PART NO	DESCRIPTION	ITEM NO
-2	-1					

QTY	REV	U/M	DWG SIZE	PART NO	DESCRIPTION	ITEM NO	
-1					LEADMAKER & BENCH MODEL G		
-2					BENCH MODEL K		
					AIR FEED		
					AIR FEED		
④	1	-	-	C	692655-5	AIR FEED VALVE ASSY	70
							69
							68
REF	-	-	-	A	24042-2	VALVE, SHUT OFF	67
REF	-	-	-	C	692655-6	AIR FEED VALVE ASSY	66
④	1	1	-	B	1-460277-9	AIR FEED ASSY (2 INCH)	65
2	2	-	A	4-21000-3	SCR, SHC (10-32x2.00) AIR ASSY	64	
-	1	-	A	980285-2	ELBOW, SWIVEL 1/8 NPT - 1/4 T	63	
-	1	-	A	23238-1	QUICK DISCONNECT	62	
-	12.00	IN	A	27319-4	TUBING, POLY-FLO ∅.25	61	
							60
1	1	-	C	454220-1	CAP, RAM	59	
1	1	-	D	453736-1	HOUSING	58	
							57
							56
							55
							54
④	1	1	-	B	460680-1	FEED FINGER ASSY	53
							52
							51
							50
							49
-	1	-	A	22374-7	VALVE, QUICK EXHAUST	48	
-	1	-	A	22304-1	NIPPLE, HEX 1/8 NPT	47	
							46
1	1	-	A	690191-1	PLUG, NYLON	45	
1	1	-	C	455674-1	RAM	44	
1	1	-	A	690125-1	WASHER, LAMINATED	43	
1	1	-	A	690124-4	WASHER, RAM	42	
1	1	-	A	690686-1	BOLT, CRIMPER (5/16-24x1.00)	41	
1	1	-	A	23241-6	BALL, STEEL	40	
1	1	-	A	690170-1	SPRING, COMPRESSION	39	
1	1	-	C	690142-1	DISC, INSULATION	38	
1	1	-	D	354777-1	WIRE DISC, PLASTIC	37	
1	1	-	A	22480-5	WASHER, SPRING	36	
1	1	-	B	690212-1	POST, RAM	35	
							34
							33
							32
							31
							30
							29
1	1	-	B	1-690451-3	SPACER, STRIPPER	28	
1	1	-	A	240639-1	STRIPPER	27	
1	1	-	D	455676-5	PLATE, BASE	26	
2	2	-	A	22354-8	DRAG, STUD	25	
1	1	-	B	455678-1	PLATE, STRIP GUIDE	24	
							23
2	2	-	A	2-22281-5	SPRING, DRAG	22	
1	1	-	A	464451-1	ARM, STOCK DRAG	21	
1	1	-	A	1-464452-0	DRAG, STOCK	20	
							19
2	2	-	C	5-458031-3	GUIDE, STRIP (FRONT)	18	
							17
							16
							15
1	1	-	C	240641-3	SPACER, SLUG BLADE	14	
							13
							12
①	1	1	-	B	240644-1	PLATE, REAR SHEAR	11
							10
①	1	1	-	B	690482-7	PLATE, FRONT SHEAR	9
①	1	1	-	D	7-461295-3	ANVIL	8
①	1	1	-	B	2-690474-0	BLADE, SLUG	7
							6
							5
①	1	1	-	C	7-240641-6	SPACER, SLUG BLADE	5
							4
①	1	1	-	C	456134-7	CRIMPER, INSULATION	3
①	1	1	-	B	1-455888-3	SPACER, CRIMPER	2
①	1	1	-	C	7-458141-3	CRIMPER, WIRE	1

QTY	REV	U/M	DWG SIZE	PART NO	DESCRIPTION	ITEM NO
-2	-1					

DIMENSIONS IN INCHES. DO NOT SCALE PRINT.		MATERIAL		FINISH	
TOLERANCES UNLESS OTHERWISE SPECIFIED:		HT TR		FIN	
2 PLC DEC ±.25		-		-	
3 PLC DEC ±.		-		-	
4 PLC DEC ±.		-		-	
ANGLES ±.		-		-	
SURF TEXTURE: ✓		-		-	
REMOVE BURRS, BREAK SHARP EDGES R.015 MAX		-		-	
SCALE: -		DWG NO: 680791		SHEET 1 OF 1	
REVISION RECORD		DATE		REV	
A1	ECN 0150-0788-04	TE	6-04	MACHINE REF	
A	REVISED	CE	4-99	MINI APPL	
P/F	LTR	APP		REV A1	

THIS DRAWING IS A CONTROLLED DOCUMENT.

THIS DRAWING IS UNRELEASED. RELEASE FOR PUBLICATION BY AMP INCORPORATED. ALL RIGHTS RESERVED. © COPYRIGHT 1999

LOC A
DIST 66