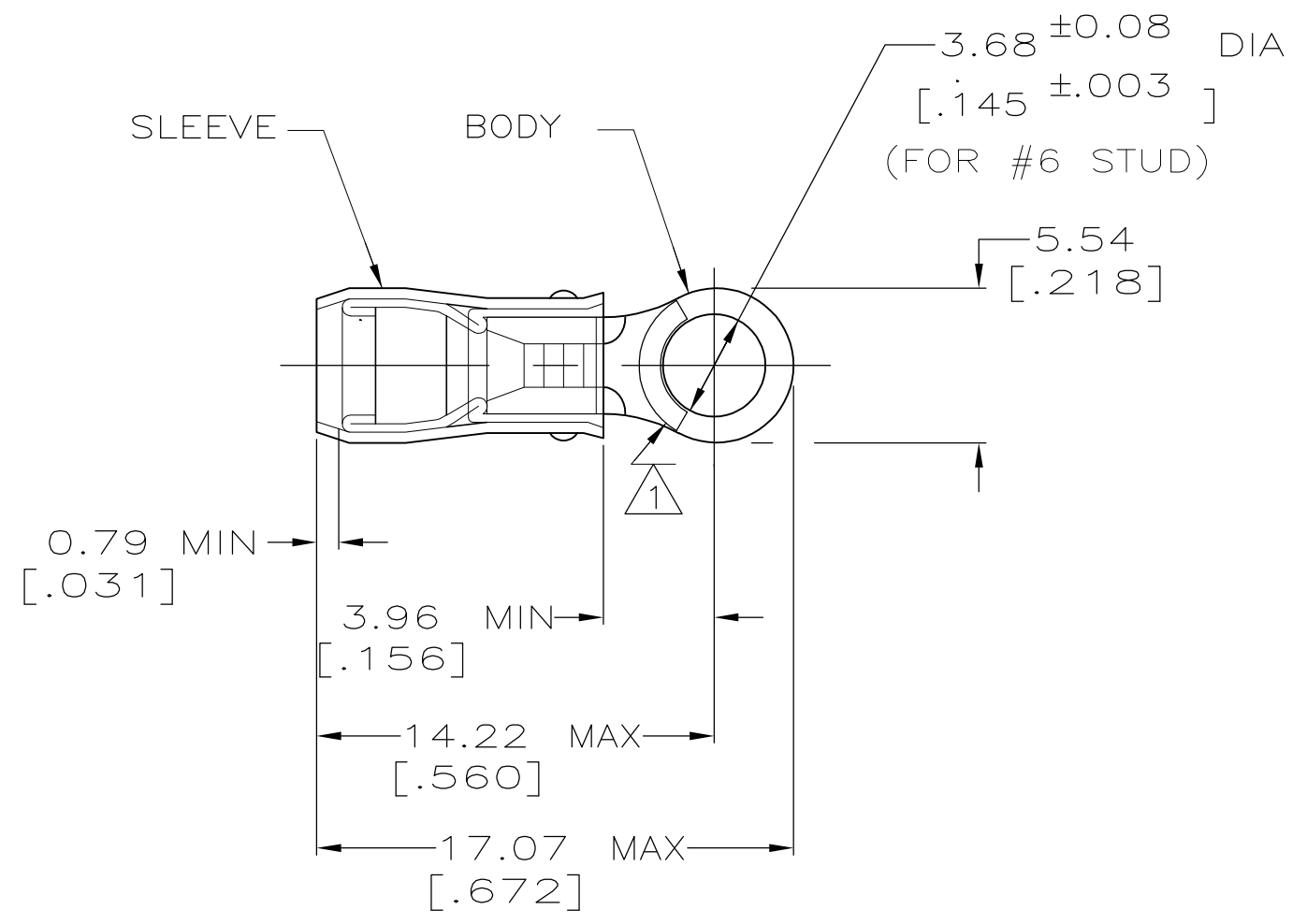


THIS DRAWING IS UNPUBLISHED. RELEASED FOR PUBLICATION
 © COPYRIGHT - By - ALL RIGHTS RESERVED.

LOC	DIST	REVISIONS					
		P	LTR	DESCRIPTION	DATE	DWN	APVD
G	14		U1	REVISED PER ECO-11-004587	11MAR11	RK	HMR

AMP WIRE RANGE	E13288 Listed	LR7189 Certified
22-16 AWG SOLID OR STRANDED	22-16 AWG SOLID OR STRANDED	22-16 AWG SOLID OR STRANDED



- 1 STAMP AMP 22-18* APPROX AS SHOWN
22-16 TERMINALS ARE STAMPED 22-18 IN
ACCORDANCE WITH MILITARY SPEC MIL-T-7928
COMMERCIAL WIRE RANGE IS 22-16
- 2 WIRE INSULATION DIA: 2.03 - 3.18
[.080 - .125]
- 3 TONGUE MATERIAL THK: 0.79±0.05
[.031±.002]

MILITARY P/N AND CLASS	QUANTITY	PACKAGE TYPE	PART NO
-	100	LOOSE PIECE, BOX	8-36149-1
MS25036-101 CLASS 2	5000	ON TAPE, REEL	2-36149-2
MS25036-101 CLASS 1 & 2	1000	LOOSE PIECE	36149

AMP INCORPORATED CUSTOMER SERVICE SYSTEMS		MAX RECOMMENDED OPERATING TEMPERATURE: 105° C MAX	DWN DK SCHRUM 9/8/93		TE Connectivity					
FOR ADDITIONAL PRODUCT INFORMATION OR COPIES OF DRAWINGS AND TECHNICAL DOCUMENTS	PRODUCT INFORMATION CENTER 1-800-522-6752	VOLTAGE RATING: 300 V MAX	DIMENSIONS: MM [INCHES]	TOLERANCES UNLESS OTHERWISE SPECIFIED: 0 PLC ± - 1 PLC ± - 2 PLC ± 0.20[.008] 3 PLC ± - 4 PLC ± - ANGLES ± -					CHK RE HERSEY 9/8/93	NAME
FOR APPLICATION TOOLING INFORMATION	TOOLING ASSISTANCE CENTER 1-800-722-1111	CIRCULAR MIL AREA: 0.26-1.65mm ² [509-3,260] CIR MILS SOLID OR STRANDED		FINISH TIN PLATE PER ASTM B545	APVD ML ELLIS 9/8/93	TERMINAL, RING TONGUE, PIDG™, WIRE SIZE, 22-16 AWG				
FOR ORDER ENTRY	1-800-526-5142		MATERIAL COPPER PER ASTM B-152 SLEEVE, RED NYLON		PRODUCT SPEC UL 486A	SIZE	CAGE CODE	DRAWING NO	RESTRICTED TO	
					APPLICATION SPEC NOT AVAILABLE	A3	00779	C-36149	-	
					WEIGHT -	CUSTOMER DRAWING		SCALE NTS	SHEET 1 OF 2	REV U1

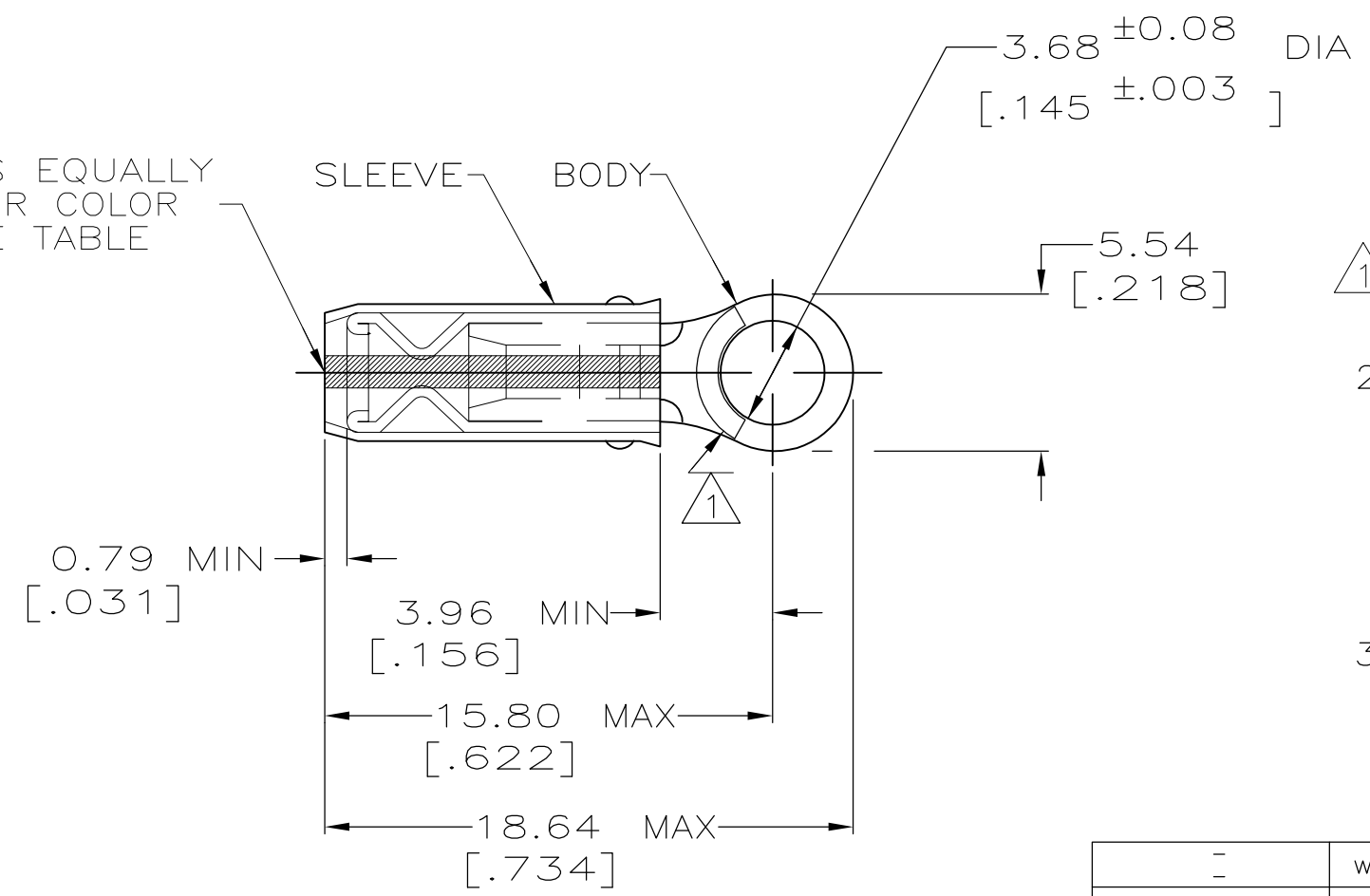
THIS DRAWING IS UNPUBLISHED. RELEASED FOR PUBLICATION
 © COPYRIGHT - By - ALL RIGHTS RESERVED.

LOC	DIST	REVISIONS					
G	14	P	LTR	DESCRIPTION	DATE	DWN	APVD
		-		SEE SHEET 1	-	-	-

AMP
WIRE RANGE

SEE TABLE
STRANDED

3 STRIPES EQUALLY SPACED FOR COLOR CODE: SEE TABLE



1 STAMP AMP APPROX AS SHOWN SEE TABLE BELOW

2 WIRE INSULATION DIA: 0.97 - 2.79 FOR 22 AWG [.038 - .110]
 1.17 - 2.79 FOR 20 AWG [.046 - .110]
 1.42 - 2.79 FOR 18 AWG [.056 - .110]

3 TONGUE MATERIAL THK: 0.79±0.05 [.031±.002]

-	WHITE	18*	18	100	LOOSE PIECE, BOX	9-36149-1
-	RED	20*	20	100	LOOSE PIECE, BOX	7-36149-1
-	GREEN	22*	22	100	LOOSE PIECE, BOX	6-36149-1
M7928/1-30 CLASS 1 & 2	WHITE	18*	18	1000	LOOSE PIECE	2-36149-5
M7928/1-21 CLASS 1 & 2	RED	20*	20	1000	LOOSE PIECE	2-36149-4
M7928/1-12 CLASS 1 & 2	GREEN	22*	22	1000	LOOSE PIECE	2-36149-3
MILITARY P/N AND CLASS	STRIPE COLOR	STAMPING	WIRE SIZE	QUANTITY	PACKAGE TYPE	PART NO

AMP INCORPORATED CUSTOMER SERVICE SYSTEMS		MAX RECOMMENDED OPERATING TEMPERATURE: 105° C MAX		DWN DK SCHRUM 9/8/93		STE TE Connectivity	
FOR ADDITIONAL PRODUCT INFORMATION OR COPIES OF DRAWINGS AND TECHNICAL DOCUMENTS		VOLTAGE RATING: 300 V MAX		CHK RE HERSEY 9/8/93			
PRODUCT INFORMATION CENTER 1-800-522-6752		WIRE RANGE: CIRC MIL AREA:		APVD ML ELLIS 9/8/93		NAME	
FOR APPLICATION TOOLING ASSISTANCE CENTER		22 0.38mm ² [754]		PRODUCT SPEC		TERMINAL, RING TONGUE, I.R., PIDG™	
TOOLING INFORMATION 1-800-722-1111		20 0.60mm ² [1,186]		APPLICATION SPEC		WIRE SIZE, 22-16 AWG	
FOR ORDER ENTRY 1-800-526-5142		18 0.96mm ² [1,900]		NOT AVAILABLE		SIZE CAGE CODE DRAWING NO RESTRICTED TO	
		STRANDED		WEIGHT -		A3 00779 C-36149	
		MATERIAL COPPER PER ASTM B-152 SLEEVE, RED NYLON		FINISH TIN PLATE PER ASTM B545		SCALE NTS SHEET 2 OF 2 REV U1	
				CUSTOMER DRAWING			