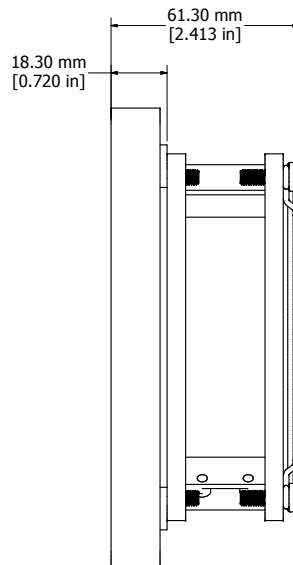
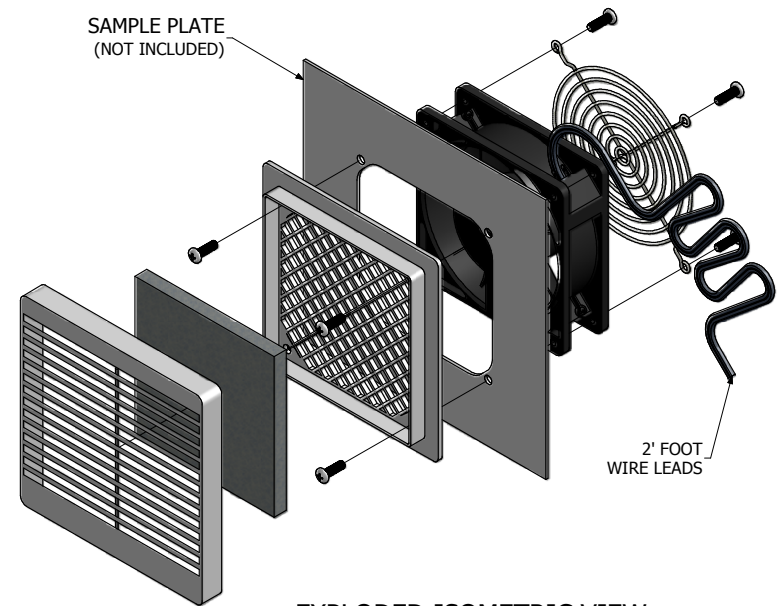


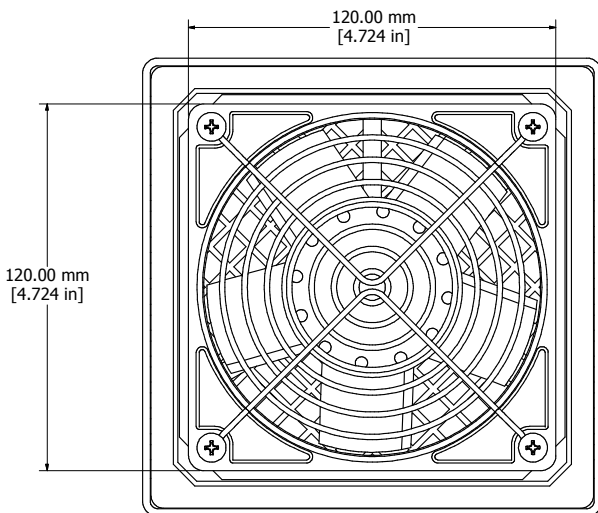
ASSEMBLY - VIEW FROM FRONT



ASSEMBLY - VIEW FROM SIDE



EXPLODED ISOMETRIC VIEW



ASSEMBLY - VIEW FROM BACK

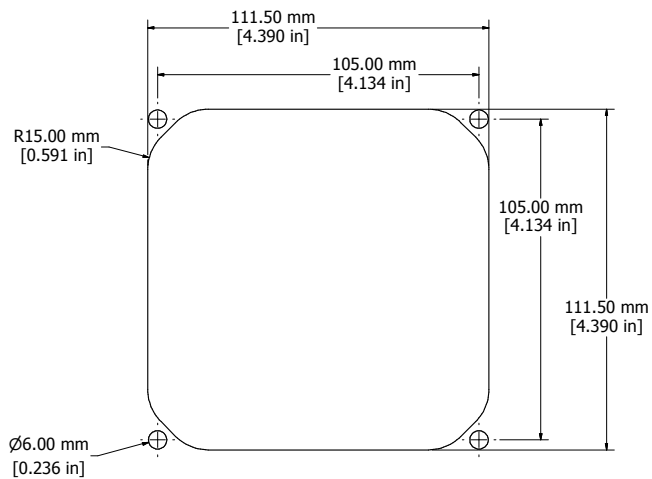


PLATE CUTOUT

<b>DNFF 120**230</b>
Finish - Front Screen - ABS Plastic - Back Panel - ABS Plastic
Rated - 230 VAC, 50/60 Hz, 0.09 Amps Free Flow Air Delivery - 105 CFM
<b>Colours</b>
DNFF120BK230 - Black
DNFF120CG230 - Gray/Beige
DNFF120GY230 - Gray
DNFF120LG230 - Light Gray
<b>Hardware</b>
8 Screws - Panhead Self-tapping 10-32 x 1/2" 4 Speed Nuts



**HAMMOND  
MANUFACTURING™**

**DNFF120\*\*230**

[www.hammondmfg.com](http://www.hammondmfg.com)