

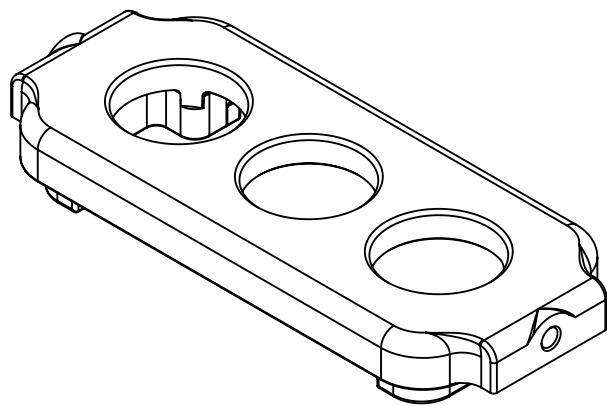
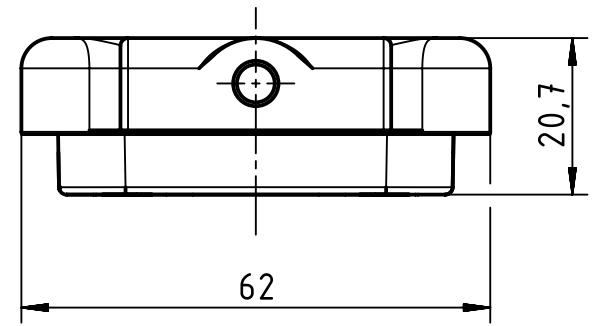
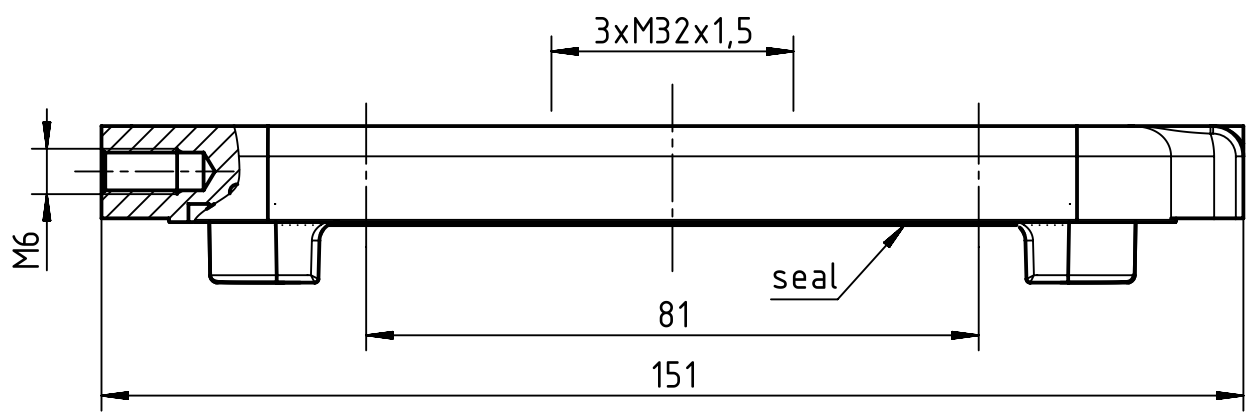
1 2 3 4 5 6


A

B

C

D



	All rights reserved Department EL PD - CN		Created by LONGL	Inspected by WENE	Standardisation TIEMANNA	Date 2017-09-12	State Final Release
	HARTING (Zhuhai) Manufacturing Co., Ltd. 519085 Zhuhai, China		Title Han 16HPR EasyCon cover 3XM32			Doc-Key / ECM-Nr. 100686276/UGD/001/A 500000125121	
			Scale 1:1	Free size tol.		Ref. Sub.	
			Type TB	Number 19 40 016 9903		Page 1/1	