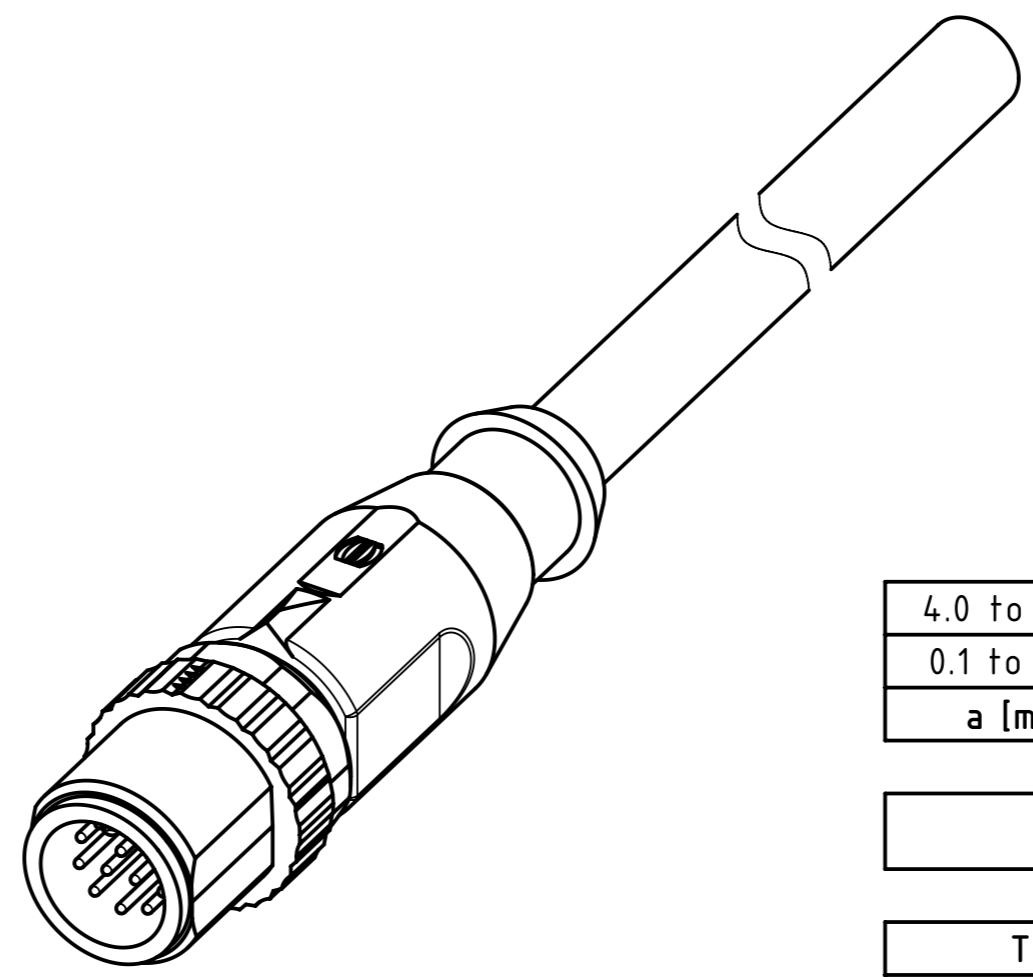
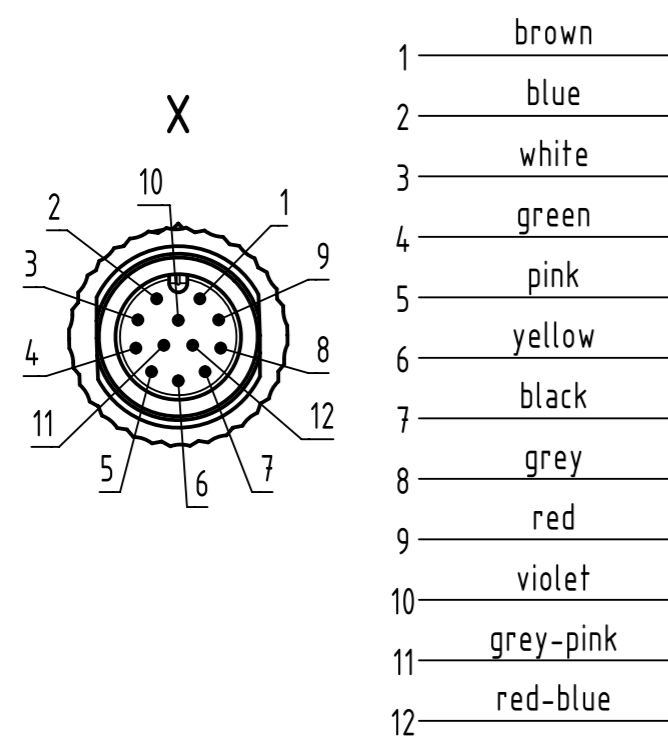


Loading-Plan:



length in "1m" step	100	XXX=000
	99	XXX=990
	.	.
	12	XXX=120
	11	XXX=110
length in "0.1m" step	10	XXX=100
	9.9	XXX=099
	9.8	XXX=098
	.	.
	0.4	XXX=004
	0.3	XXX=003
	0.2	XXX=002
	0.1	XXX=001
Step	a [m]	XXX

4.0 to 100	+1%
0.1 to 3.9	+0.04
a [m]	Tolerance

Part no. 21348400CXXXXX

Type of cable XX
PVC grey, 12x0.14mm² XX=79

- Protection level: IP67
- Temperature range: -30°C ... +80°C

	All rights reserved	Created by	Inspected by	Standardisation	Date	State	
	Department EC PD - RO	MUNTEANV	AVRAM	HOFFMANN	2016-03-22	Final Release	
HARTING Electronics GmbH		Title M12 A-coded Cable Assembly				Doc-Key / ECM-Nr.	
D-32339 Espelkamp		Type TB	Number 21348400CXXXXX			Rev. B	Page 1/1