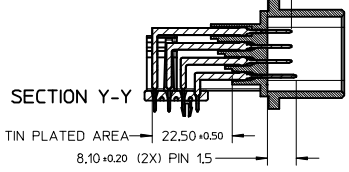


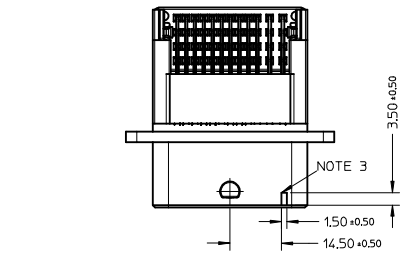
0.64x0.64 TERMINAL
GOLD PLATED AT CONTACT AREA (6.7±0.5mm)
6.70±0.20 (x4) PIN0.64 & PIN1.5 (x6)



D	6.30	366380013
C	8.50	&
B	6.30	366380019
A	12.90	(BLACK)
DIMENSION		MOLEX PN

5	GRID PLATE WITHOUT PCB LOCK	PBT 30% GLASS FILLED	BLACK	0	1
4	GRID PLATE WITH PCB LOCK		BLACK	1	0
3	HOUSING		BLACK	1	1
2	1.5	CuZn30	NICKEL UNDERCOAT: 1.3µM TO 2.2µM	6	6
1	0.64	CuZn30	OVERCOAT:SELECTIVE GOLD 1.27µM Min & MATTE TIN 4µM TO 5µM	30	30
SL NO.	DESIGNATION	MATERIAL	FINISH		

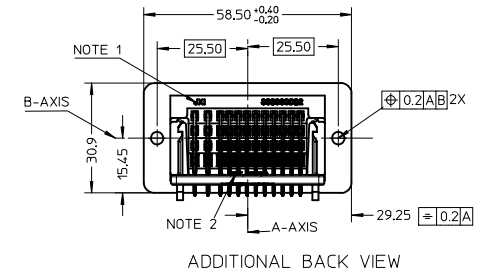
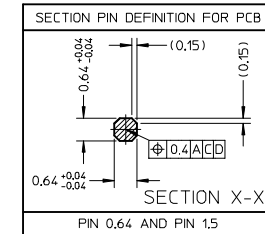
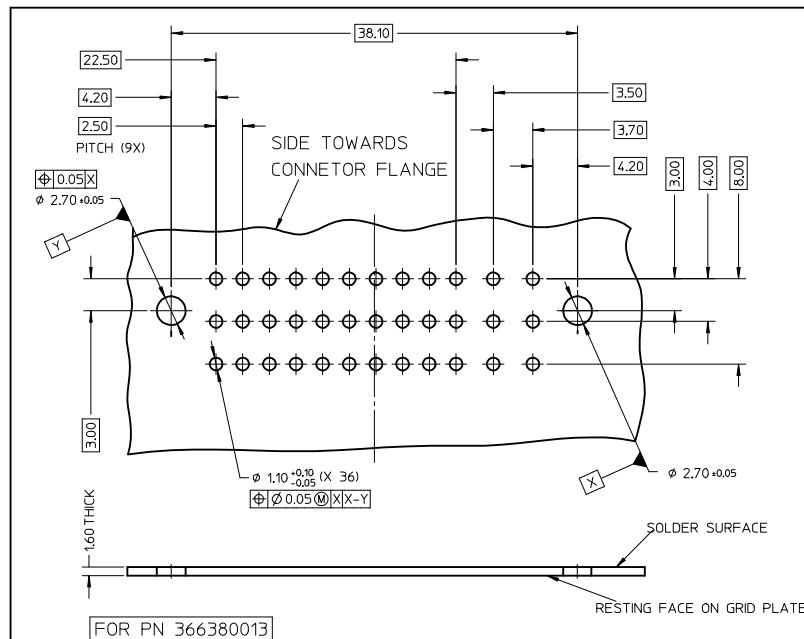
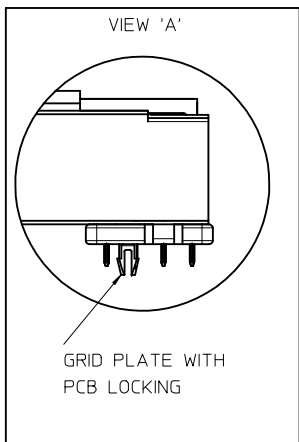
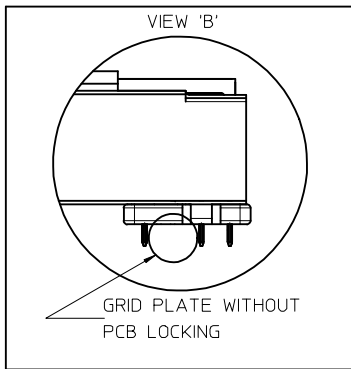
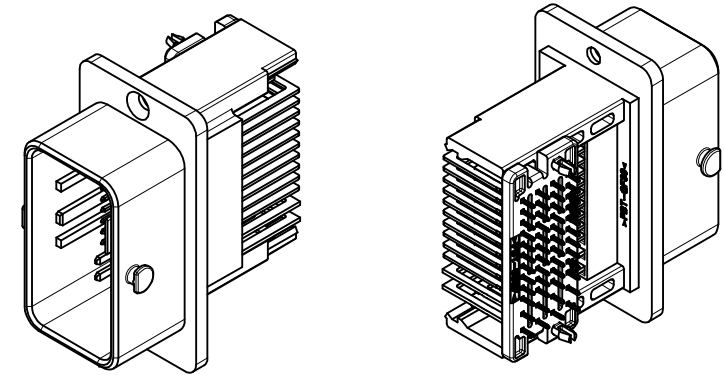
366380013	366380019
BOM QTY	



ADDED PART & DEVIATION CHART ELC NO: I2016-0019 DRAWNGES: 2015/11/05 CHKD: SNS01 APPR: KPRASAD 2015/11/27	QUALITY SYMBOLS ∇=0 ∇=0 ∇=0	GENERAL TOLERANCES (UNLESS SPECIFIED) 4 PLACES ± --- ± --- 3 PLACES ± --- ± --- 2 PLACES ± 0.1 ± --- 1 PLACE ± 0.2 ± --- ANGULAR ± 1/2°	DIMENSION STYLE MM ONLY	SCALE 1:1	DESIGN UNITS METRIC	THIRD ANGLE PROJECTION	
	DRAWN BY SNS01	DATE 2010/07/20	CHECKED BY DATE	TITLE CMC HEADER 48/36WAY T3 INTERFACE	APPROVED BY KPRASAD	DATE 2010/10/26	MATERIAL NO. SEE TABLE 'A'
	DRAFT WHERE APPLICABLE MUST REMAIN WITHIN DIMENSIONS	SIZE A2	THIS DRAWING CONTAINS INFORMATION THAT IS PROPRIETARY TO MOLEX INCORPORATED AND SHOULD NOT BE USED WITHOUT WRITTEN PERMISSION	MOLEX INCORPORATED	DOCUMENT NO. SD-36638-013	SHEET NO. 1 OF 2	
	RoHS COMPLIANT						
	MoLEX						

TABLE 'A'

ASSY CMC HEADER	ASSY CMC 48 WAY 36 CKT W/O PCB LOCK	366380019	BLACK	NOT AVAILABLE (SEE VIEW 'B')	1.6	1.5	L2 & M2 L3 & M3,L4 & M4
						0.64	A2 TO H2,J2 AND K2 A3 TO H3,J3 AND K3 A4 TO H4,J4 AND K4
	ASSY CMC 48 WAY 36 CKT WITH PCB LOCK	366380013	BLACK	AVAILABLE (SEE VIEW 'A')	1.6	1.5	L2 & M2 L3 & M3,L4 & M4
						0.64	A2 TO H2,J2 AND K2 A3 TO H3,J3 AND K3 A4 TO H4,J4 AND K4
DESIGNATION	MOLEX PN	CODING COLOUR	PCB LOCKING ON GRID PLATE	FOR PCB OF THICKNESS	PIN	CAVITIES NUMBER	



NOTES:

1. AREA FOR JXI AND MOLEX PART NUMBER REPRESENTATION
2. AREA FOR PLASTIC MATERIAL >PBT-30%GF< DESCRIPTION
3. PAINT WITH WHITE COLOR (RoHS COMPLIANT) AT SPECIFIED TWO AREAS
4. PART TO MEET SOLDERABILITY SPEC SMES-152
5. PACKAGING SPECIFICATION:PK-36638-002
6. PCB SOLDER HOLE SIZE IS DIA 1.1 (+0.10/-0.05) FOR THE TERMINALS
7. MANUAL/WAVE SOLDER COMPATIBLE.
8. MATES WITH PART NO.643202311/643204311.

CORRECTED P/N-SHZ EC NO: 12016-0019 DRAWN:GES CHKD: APPR:KPRASAD	2015/11/05 2015/11/27	QUALITY SYMBOLS =0 =0	GENERAL TOLERANCES (UNLESS SPECIFIED)		DIMENSION STYLE	SCALE	DESIGN UNITS	THIRD ANGLE PROJECTION
			m/m	INCH	MM ONLY	1:1	METRIC	
4 PLACES ± --- ± ---			DRAWN BY		DATE	TITLE		
3 PLACES ± --- ± ---			SNS01		2010/07/20	CMC HEADER 48/36WAY T3 INTERFACE		
2 PLACES ± 0.1 ± ---			CHECKED BY		DATE	MOLEX INCORPORATED		
1 PLACE ± 0.2 ± ---			APPROVED BY		DATE	SD-36638-013		
ANGULAR ± 1/2°			KPRASAD		2010/10/26	SHEET NO. 2 OF 2		
DRAFT WHERE APPLICABLE MUST REMAIN WITHIN DIMENSIONS			MATERIAL NO.		SEE TABLE 'A'	DOCUMENT NO.		
SIZE A2			THIS DRAWING CONTAINS INFORMATION THAT IS PROPRIETARY TO MOLEX INCORPORATED AND SHOULD NOT BE USED WITHOUT WRITTEN PERMISSION					