

PART NUMBER	REV	TERMINATOR	FEED TYPE	DESCRIPTION
1426573-1	A	LEADMAKER	MECH POST FEED	CUTS CARRIER
1426573-2	A	BENCH	MECH PRE FEED	CUTS CARRIER
1426573-6	A	LEADMAKER	MECH POST FEED	CONTINUOUS CARRIER
7-1426573-1	A	LEADMAKER	MECH POST FEED	-1 AND SPARE PARTS
7-1426573-2	A	BENCH	MECH PRE FEED	-2 AND SPARE PARTS
7-1426573-6	A	LEADMAKER	MECH POST FEED	-6 AND SPARE PARTS
7-1426573-7	A	-	-	SPARE PARTS KIT

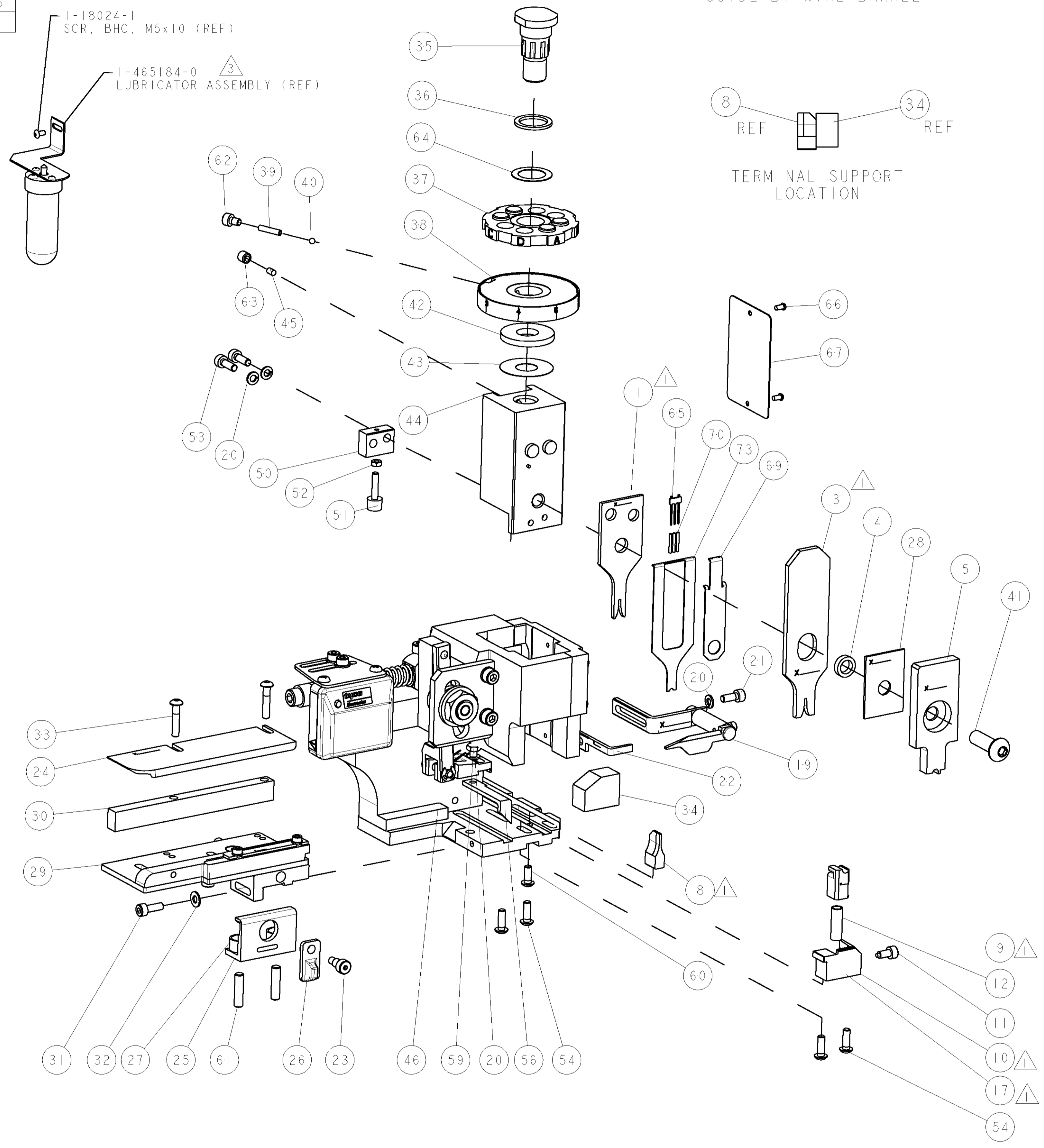
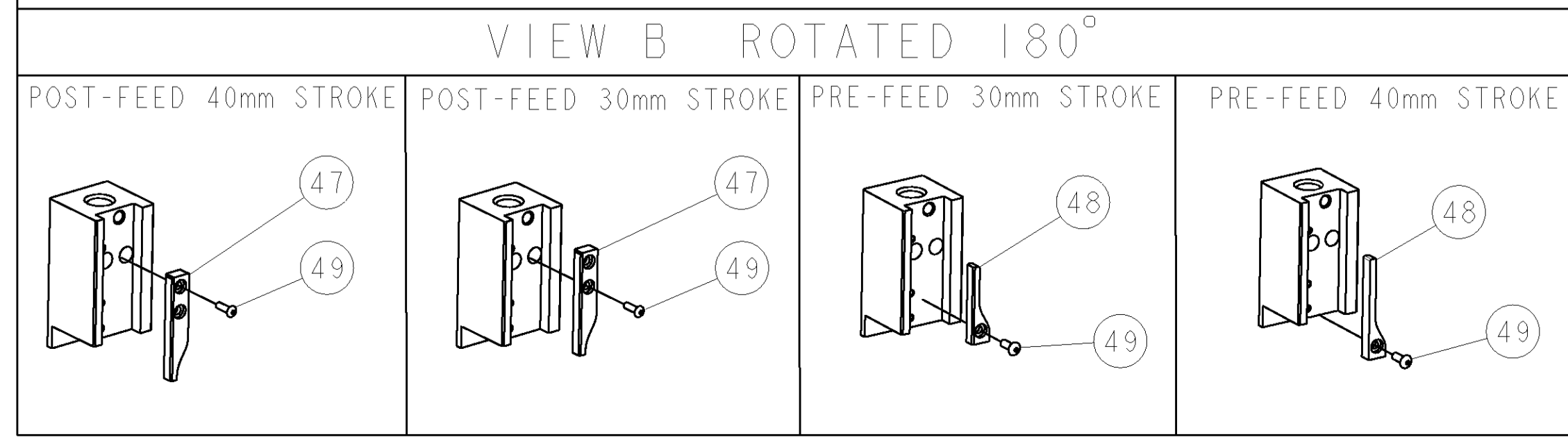
CRIMP	SIZE	TYPE	RANGE
WIRE	1.27 [0.050 IN]	F	0.30mm ² -0.50mm ²
INSUL	1.40 [0.055 IN]	F	1.10-1.40 [0.043-0.055 IN]
WIRE STRIP LENGTH	4.00-4.50 [1.57-1.77 IN]		APPL INSTRUCTIONS 408-8322

TERMINAL	YAZAKI	FEED
APPL SPEC	72WT102284-1	8.13 [0.320 IN]

TYCO PN	MANUF PN		
1572838-1	7116-1670-02	-	-

WIRE SIZE	CRIMP HEIGHT	PINPN & LENGTH [IN]
0.50mm ²	1.00 ±0.03 [0.039 ±0.001 IN]	9-354778-7 [2.980]
0.30mm ²	0.92 ±0.03 [0.036 ±0.001 IN]	354779-4 [3.010]

- △ RECOMMENDED SPARE PARTS.
- 2. GREASE RAM, CAM, CAM FOLLOWER AND FEED ROD LIGHTLY.
- △ CERTAIN TERMINALS REQUIRE LUBRICATION. REFER TO THE APPLICATOR INSTRUCTION SHEET FOR MORE INFORMATION.
- 4. LUBRICATE DAILY PER THE APPLICATOR INSTRUCTION SHEET SUPPLIED WITH THE APPLICATOR.



LOC	DIST	REV	DESCRIPTION	DATE	BY	APPV
A	66		SEE ECO-05-014535	24NOV05	LJL	MC

-	-	-	-	-	-	1490525-3	DEPRESSOR, WIRE	73
-	-	-	-	-	-	-	-	72
-	-	-	-	-	-	1338705-1	DOCUMENTATION PACKAGE	71
-	3	3	3	3	3	2-23147-2	SPRING, COMPRESSION	70
-	-	-	-	-	-	1490524-1	DEPRESSOR, SPACER	69
-	-	-	-	-	-	-	-	68
-	-	-	-	-	-	461264-1	PLATE, IDENTIFICATION	67
-	2	2	2	2	2	21017-2	SCREW, DRIVE	66
-	-	-	-	-	-	1424350-1	HOLDER, PIN	65
-	-	-	-	-	-	986950-1	WASHER, FLAT PRECISION	64
-	-	-	-	-	-	3-18031-0	SCR, SET, CUP POINT M6 X 6.0	63
-	-	-	-	-	-	18023-9	SCR, SKT HD CAP M4 X 6.0	62
-	2	2	2	2	2	2-18032-5	SCR, SET, FLT POINT M5 X 20.0	61
-	-	-	-	-	-	18024-7	SCR, BTN SKT HD CAP (M4 X 10.0)	60
-	-	-	-	-	-	5-18022-2	SCR, HEX HD CAP M4 X 8.0	59
-	-	-	-	-	-	-	-	58
-	-	-	-	-	-	-	-	57
-	-	-	-	-	-	1338685-1	PAWL, FEED	56
-	-	-	-	-	-	-	-	55
-	4	4	4	4	4	18024-8	SCR, BTN SKT HD CAP (M4 X 12.0)	54
-	2	2	2	2	2	1-18023-2	SCR, SKT HD CAP M4 X 12.0	53
-	-	-	-	-	-	18030-1	NUT, HEX, REG M3	52
-	-	-	-	-	-	811242-5	BUMPER, HOLD DOWN	51
-	-	-	-	-	-	690753-2	SPACER, TONKER	50
-	-	-	-	-	-	18024-3	SCR, BTN SKT HD CAP (M3 X 10.0)	49
-	-	-	-	-	-	1338675-1	CAM, UNIVERSAL PRE FEED	48
-	-	-	-	-	-	1338676-1	CAM, UNIVERSAL POST-FEED	47
-	-	-	-	-	-	1320999-3	APPLICATOR SUBASSEMBLY, HDI	46
-	-	-	-	-	-	690191-1	PLUG, NYLON	45
-	-	-	-	-	-	1338660-1	RAM	44
-	-	-	-	-	-	690125-1	SHIM SUB-ASSY	43
-	-	-	-	-	-	690124-4	WASHER, RAM (.135)	42
-	-	-	-	-	-	2-18024-6	SCR, BTN SKT HD CAP (M8 X 25.0)	41
-	-	-	-	-	-	23241-1	BALL, STEEL	40
-	-	-	-	-	-	2-22278-7	SPRING, COMPRESSION	39
-	-	-	-	-	-	1-1320922-2	DISC, ADJUST, INSULATION CRIMP	38
-	-	-	-	-	-	354777-1	WIRE DISC, ASSEMBLY	37
-	-	-	-	-	-	22480-5	SPRING, COMPRESSION	36
-	-	-	-	-	-	690212-1	POST, RAM	35
-	-	-	-	-	-	1320934-3	SUPPORT, TERMINAL	34
-	2	2	2	2	2	1-18024-0	SCR, BTN SKT HD CAP (M4 X 20.0)	33
-	-	-	-	-	-	18027-2	WASHER, FLAT, REG M4	32
-	-	-	-	-	-	1-18023-2	SCR, SKT HD CAP M4 X 12.0	31
-	-	-	-	-	-	1320908-4	SPACER, STRIP GUIDE	30
-	-	-	-	-	-	1633073-1	STRIP GUIDE ASSEMBLY	29
-	-	-	-	-	-	1-455888-0	SPACER, CRIMPER	28
-	2	2	2	2	2	1-22284-0	SPRING, COMPRESSION	27
-	-	-	-	-	-	356835-1	LEVER, DRAG RELEASE	26
-	-	-	-	-	-	240792-1	DRAG, TERMINAL	25
-	-	-	-	-	-	1320928-1	PLATE, STRIP GUIDE	24
-	-	-	-	-	-	980371-4	SCR, SKT HD SHLDR 5.0 DIA X 6.0	23
-	-	-	-	-	-	690472-2	STRIPPER	22
-	-	-	-	-	-	1-18023-1	SCR, SKT HD CAP M4 X 10.0	21
-	4	4	4	4	4	18025-2	WASHER, SPRG LOCK, REG M4	20
-	-	-	-	-	-	1424364-1	STRIPPER/ WIRE STOP ASSY	19
-	-	-	-	-	-	-	-	18
-	-	-	-	-	-	1338684-1	SHEAR HOLDER, FRONT	17
-	-	-	-	-	-	-	-	16
-	-	-	-	-	-	-	-	15
-	-	-	-	-	-	-	-	14
-	-	-	-	-	-	-	-	13
-	-	-	-	-	-	5-22280-0	SPRING, COMPRESSION	12
-	-	-	-	-	-	356885-4	STOP, SHEAR	11
-	-	-	-	-	-	1320921-1	SHEAR HOLDER, FRONT, CUT	10
-	-	-	-	-	-	462006-1	FLOATING SHEAR, FRONT	9
-	1	2	2	2	1	1633139-5	ANVIL, COMBINATION	8
-	-	-	-	-	-	-	-	7
-	-	-	-	-	-	-	-	6
-	-	-	-	-	-	2-455889-0	DEPRESSOR, SHEAR	5
-	-	-	-	-	-	3-238011-8	BLOCK, CRIMPER SPACER	4
-	1	2	2	2	1	7-1424909-2	CRIMPER, INSULATION F	3
-	-	-	-	-	-	-	-	2
-	1	2	2	2	1	5-568176-3	CRIMPER, WIRE	1

-77	-76	-72	-71	-6	-2	-1	PART NO	DESCRIPTION	ITEM NO
-	-	-	-	-	-	-	-	-	84
-	-	-	-	-	-	-	-	-	83
-	-	-	-	-	-	-	-	-	82
-	-	-	-	-	-	-	-	-	81
-	-	-	-	-	-	-	-	-	80
-	-	-	-	-	-	-	-	-	79
-	-	-	-	-	-	-	-	-	78
-	-	-	-	-	-	-	-	-	77
-	-	-	-	-	-	-	-	-	76
-	-	-	-	-	-	-	-	-	75
-	-	-	-	-	-	-	-	-	74

DATE	BY	APPV	DESCRIPTION	DATE	BY	APPV
200205	PROUSE		200205			
200205	CLIFFORD		200205			

TYCO	Electronics		
Tyco Electronics Harrisburg, PA 17105-3608			
SIDE FEED HDI APPLICATOR			
SIZE	CAGE CODE	DRAWING NO	RESTRICTED TO
A	00779	1426573	
CUSTOMER DRAWING		SCALE	3:5
		SHEET	1 OF 1
		REV	A