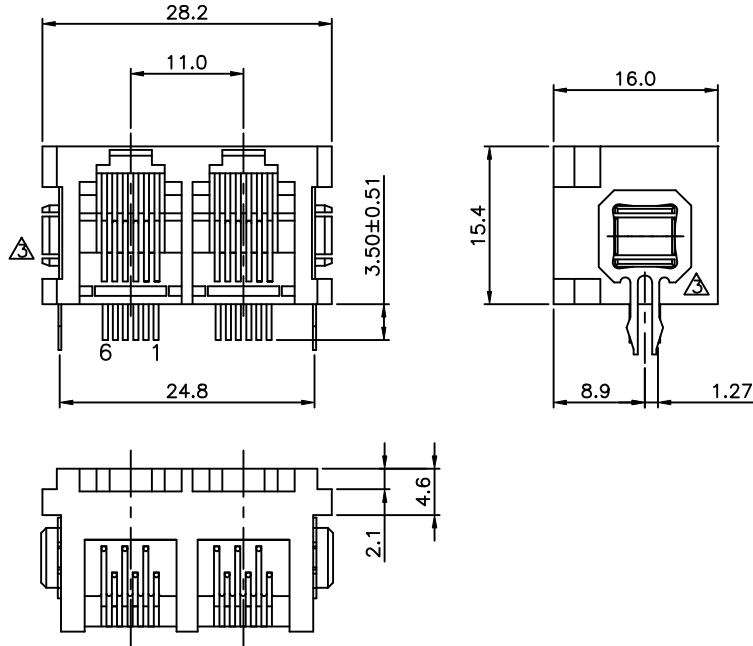


REVISION RECORD				
REV	ECO	DESCRIPTION	DRFT	CHKD
△		MODIFY PART NO	12/25/98	RACHEL
△		ADD PART NO	11/26/04	LUDON
△		MODIFY NOTE	12/24/04	LUDON



**NOTES:**

**ELECTRICAL:**

- VOLTAGE RATING : 125 VAC RMS.
- CURRENT RATING : 1.5 AMP.
- CONTACT RESISTANCE : 30 MILLIOHMS MAX.
- INSULATION RESISTANCE: 1000 MEGOHMS MIN @ 500 VDC.
- DIELECTRIC STRENGTH : 1000 VAC RMS 60HZ, 1MIN.

**MECHANICAL:**

- HOUSING MATERIAL : GLASS FILLED POLYESTER UL94V-0.
- CONTACT MATERIAL : PHOSPHOR BRONZE Ø0.46mm
- PLATING : GOLD PLATING OVER NICKEL.
- OPERATING LIFE : 750 CYCLES MIN.
- PCB RETENTION PRE-SOLDER : 1 LB MIN.
- PCB RETENTION POST-SOLDER: 10 LBS MIN.

**ENVIRONMENTAL:**

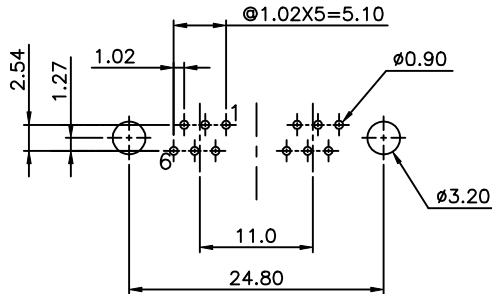
- STORAGE : -40°C TO +85°C.
  - OPERATION: 0°C TO 70°C.
- MATES WITH MODULAR PLUG CONFORMING TO  
FCC PART 68, SUBPART F.  
CUL FILE NO. E163191

△ PART NUMBER: E5H6X-10AX1X

NO. OF CONTACT:	1- 3u"	2- 6u"
2- 2C	3-15u"	4-30u"
4- 4C	5-50u"	6-Pd20u"
6- 6C	1-BK.	2-GY.

LEAD FREE PART NUMBER: E5H6X-10AX1X-L △

NO. OF CONTACT:	1- 3u"	2- 6u"
2- 2C	3-15u"	4-30u"
4- 4C	5-50u"	6-Pd20u"
6- 6C	1-A06-0080 BK.	2-A06-0600 GY.
	A-A05-0130 BK(FR52).	



Pcb Board Layout Component Side Shown

DETACHED LISTS	MM (INCH)	DFTO RACHEL	DATE 10/15/98	FULL RISE ELECTRONIC CO., LTD	
	TOLERANCES EXCEPT AS NOTED	CHKD QWAFU	DATE 2004/12/27		
	MM	MFO	DATE	TITLE SIDE ENTRY METAL FEET PCB JACK 6P	
	.0 ± 0.2 ±	APPV LUSHENG	DATE 2004/12/27		
.00 ± 0.15 ±	MATERIAL :		DRAWING NO. GE5H3015		
.000 ± 0.075 ±	FINISH :		/PART NO. SEE NOTE		
ANGLES ± 0.5	SCALE : 2 : 1		DO NOT SCALE DRAWING		
THIRD ANGLE PROJECTION	SCALE : 2 : 1		SHEET OF		
	SCALE : 2 : 1		SIZE REV A3 3		