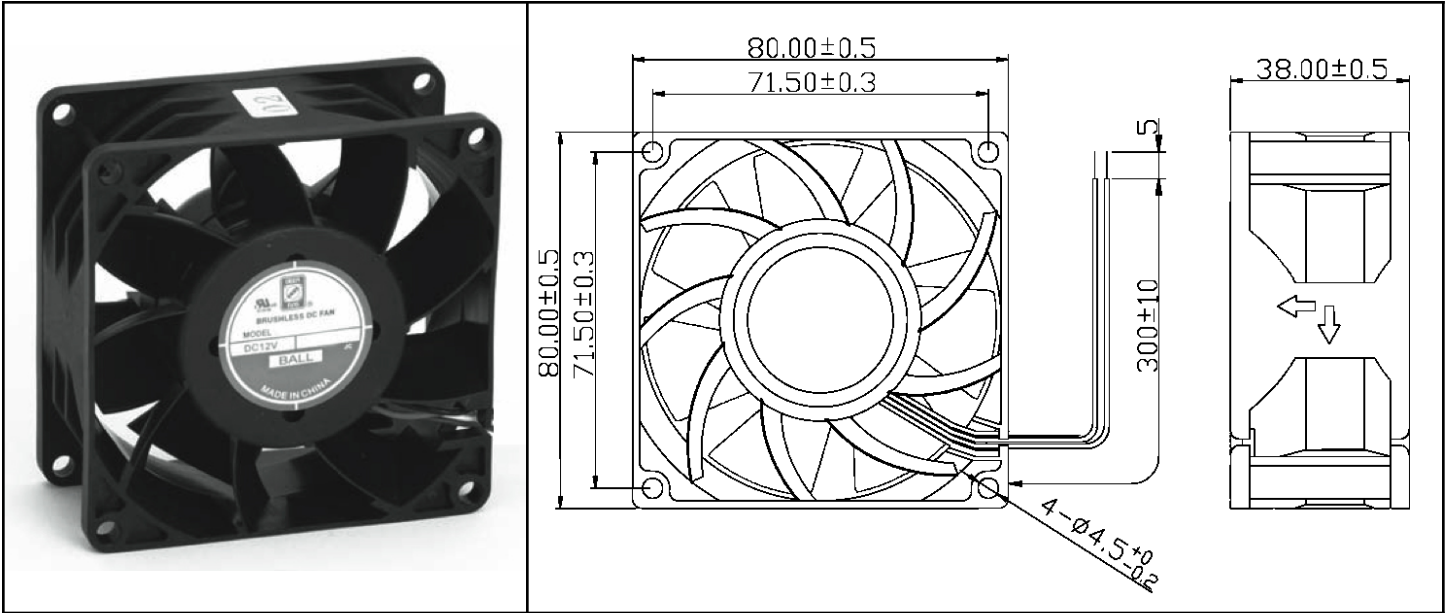


# OD8038 'VA' Series



DC Fan - Vaneaxial  
80x38mm (3.15"x 1.5")



Frame & Impeller	PBT, UL94V-O plastic	Date: 102215  Options Tachometer Open Collector PWM Input **  * Connection 1. Black(GND) 2. Red (Vcc) 3. White (Tach) 4. Blue (PWM)	
Connection	4x Lead wires *		
Motor	Brushless DC, auto restart, polarity protected.		
Bearing System	Dual ball bearing		
Insulation Resistance	Min. 10M at 500VDC		
Dielectric Strength	1 minute at 500VAC / 1 second, max leakage 500 microamp		
Temperature Range	-10C ~ +70C		
Storage Temperature	-40C ~ +80C		
Life (L10)	50,000 hours (40C)		

Model Number	OD8038-24HBVXC10a
Part Number	188241261
Nominal Voltage	24 VDC
Nominal Current	.54 A
Rated Power	15.6 W
Rated Speed (RPM)	6300
Airflow (CFM)	99
Noise Level (dB)	57
Max. Static Pressure	0.81 "H <sub>2</sub> O

