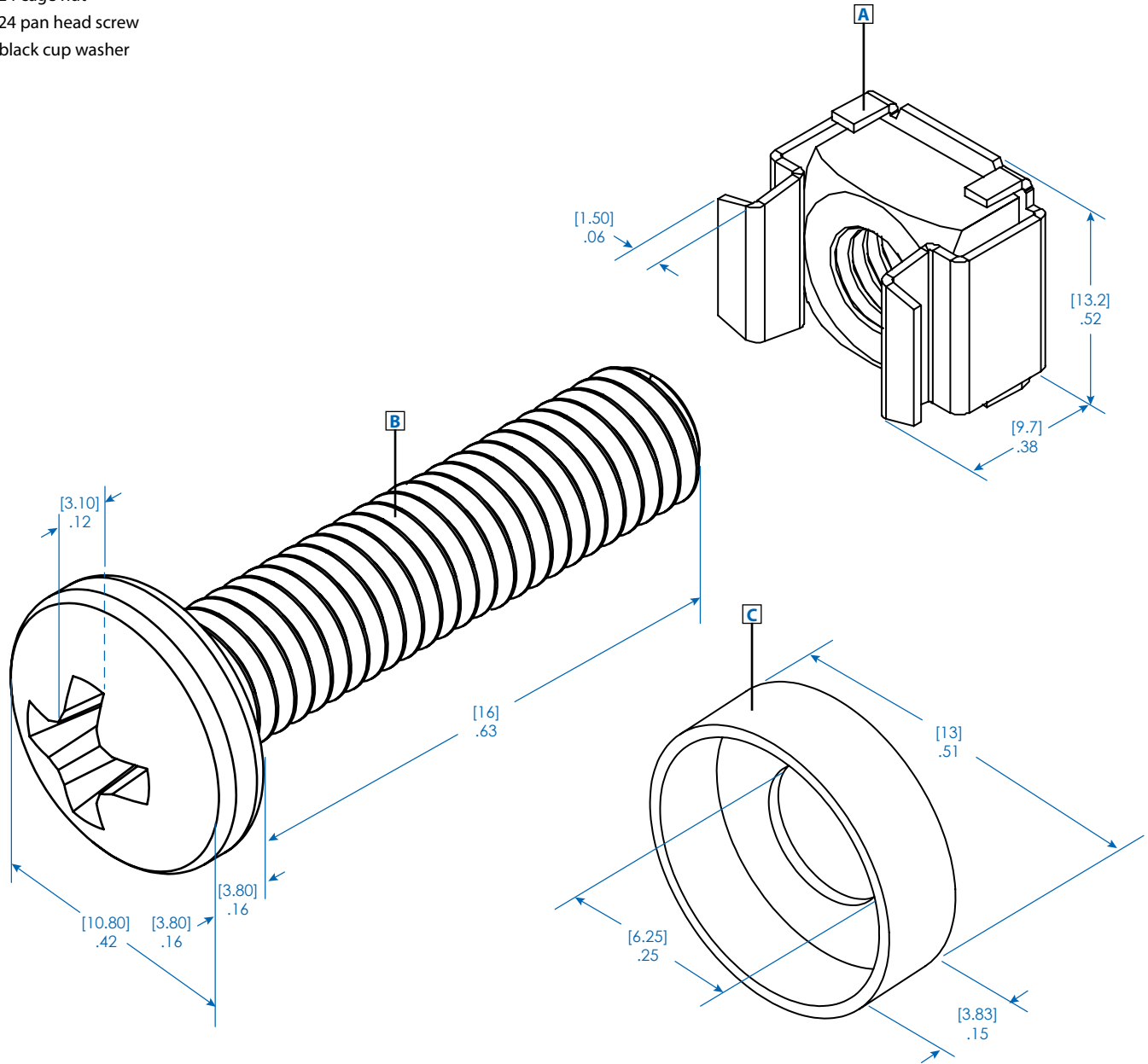


MODEL:

SRCAGENUTS1224

Square Hole Hardware Kit

- A** #12-24 cage nut
- B** #12-24 pan head screw
- C** PVC black cup washer



- Square hole hardware kit contains 50 each #12-24 pan head screws, #12-24 cage nuts and PVC cup washers



Specifications

| | |
|---------------------------------|----------------------------------|
| Model | SRCAGENUTS1224 |
| Shipping Dimensions (H x W x D) | 4 x 1 x 6 in / 102 x 25 x 152 mm |
| Shipping Weight | 1 lb / 0.453 kg |

Tripp Lite has a policy of continuous improvement. Specifications are subject to change without notice.

Dimensions: [mm] INCHES



1111 W. 35th Street
Chicago, IL 60609 USA
773.869.1234
www.tripplite.com