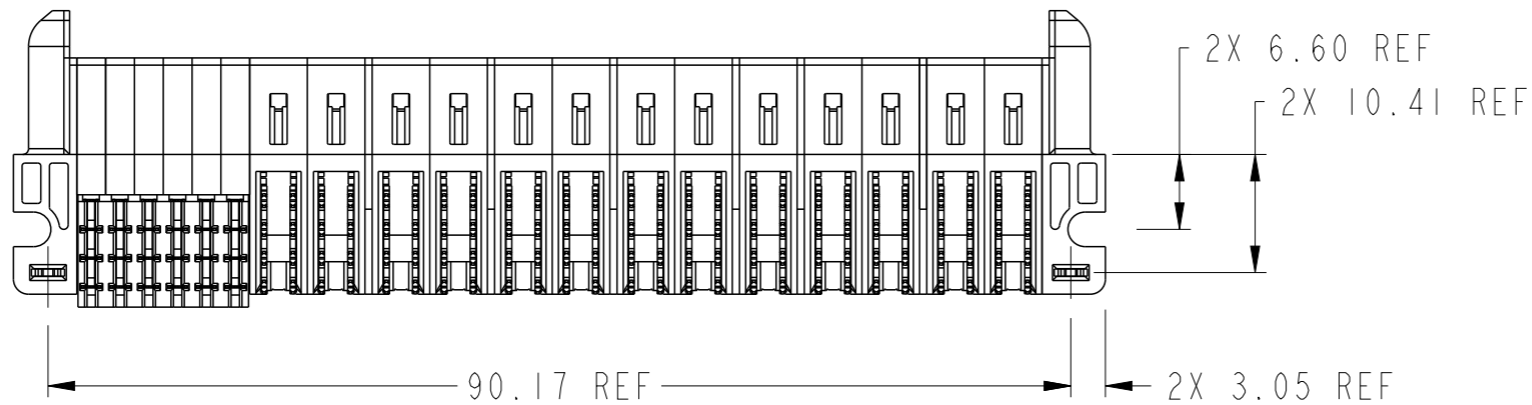
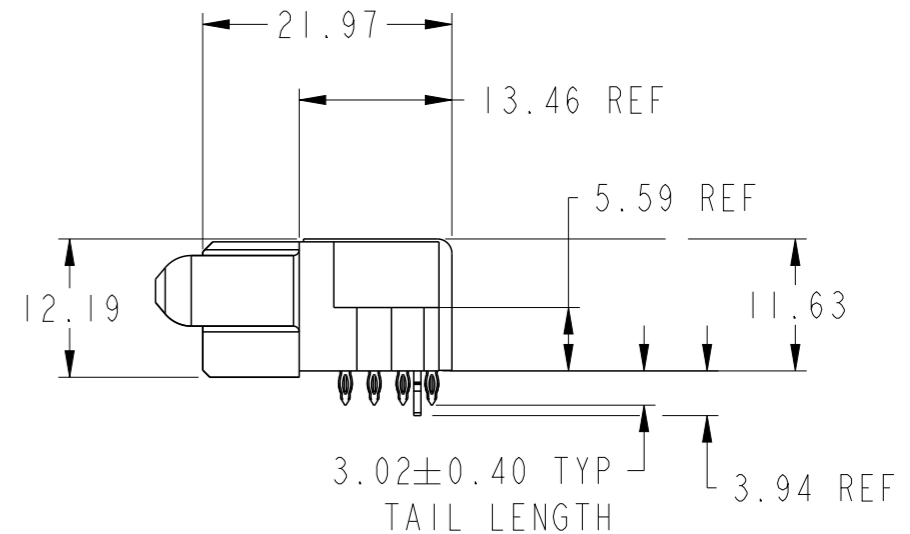
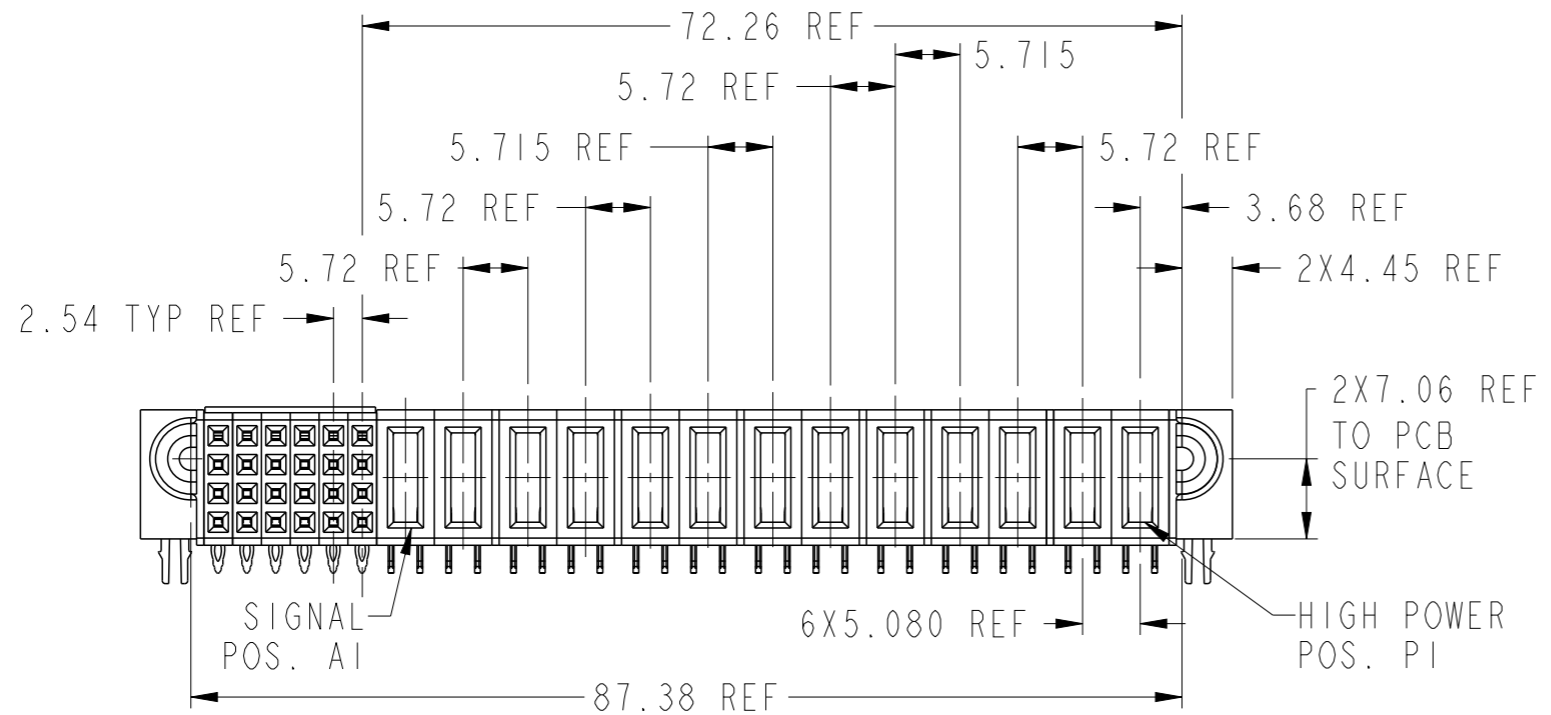
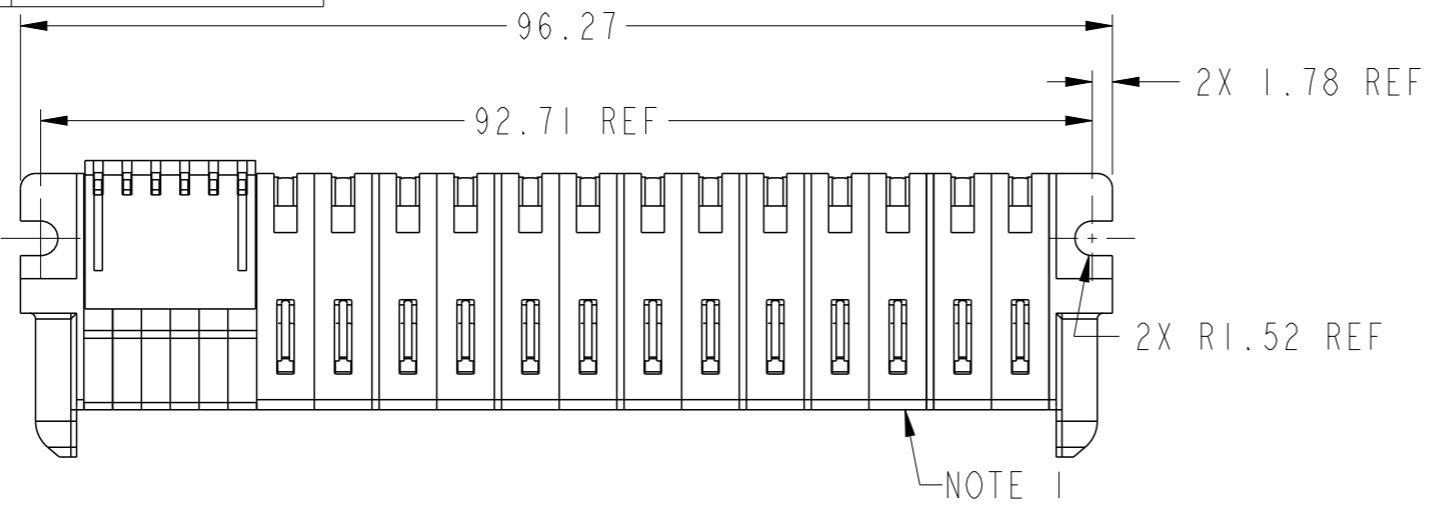


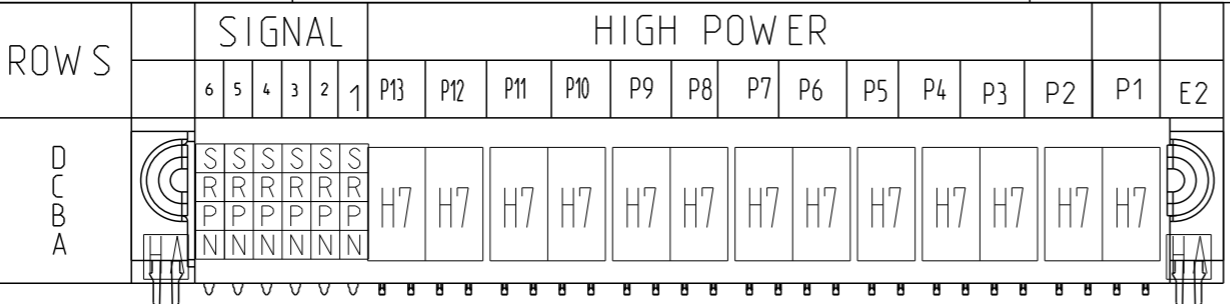
PRODUCT NUMBER SEE SHEET 2



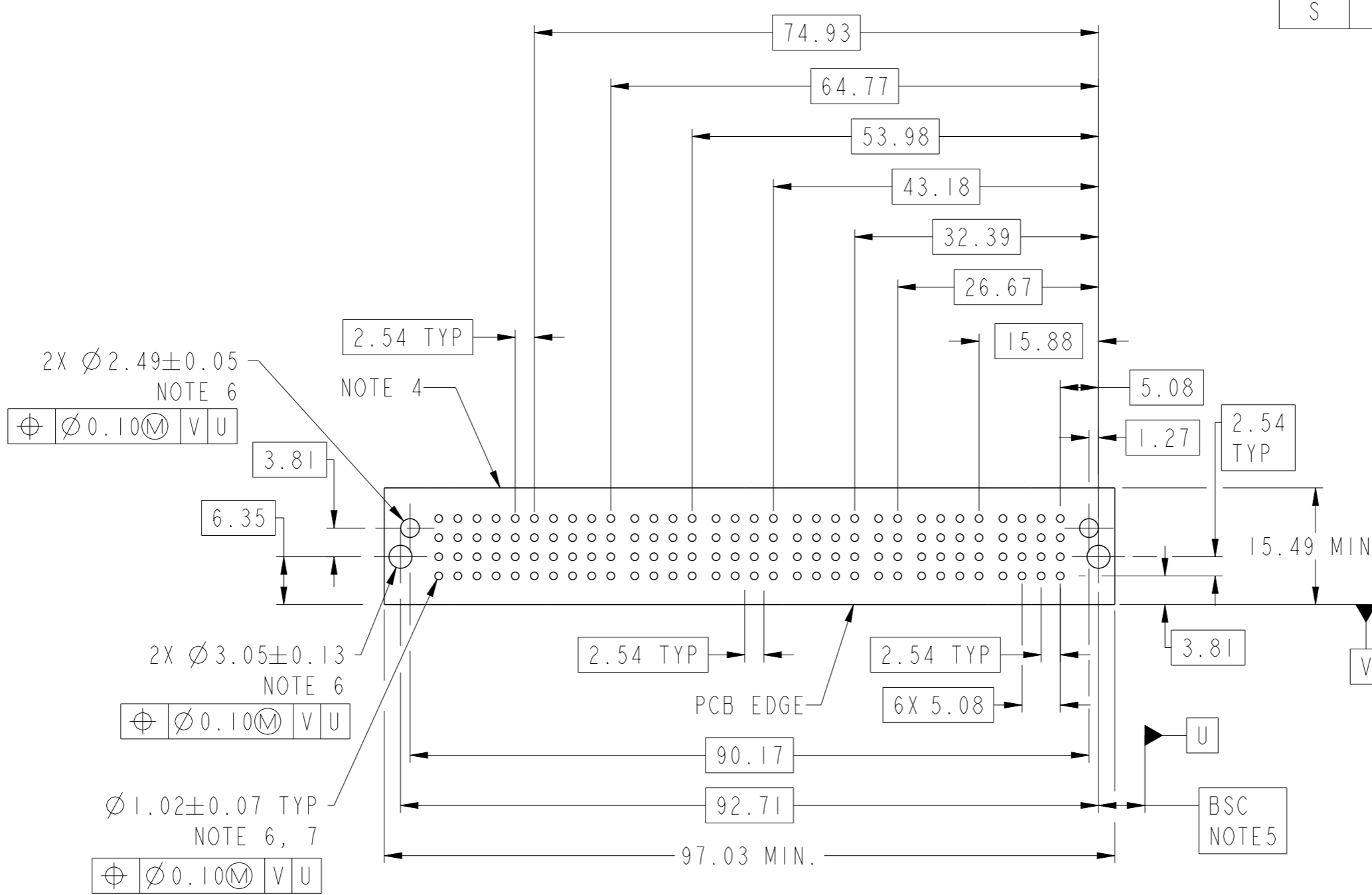
spec ref *	dr	Eddy Zeng	2013/10/09	projection	MM	size	A3	scale	3:2
tolerance std	eng	Eddy Zeng	2013/10/11			ecn no	-	rel level	Released
ASME Y14.5	chr	Li-He	2013/10/10			product family	PwrBlade+	rel level	Released
surface ✓	appr	Pei-Ming Zheng	2013/10/11			dwg no	10106265-D006001		rev
ASME Y14.5	TOLERANCES UNLESS OTHERWISE SPECIFIED linear 0.X ±0.5 0.XX ±0.25 0.XXX ±0.10 angular 0° ±2°		www.fci.com cat. no.	13HP+24S RA PF RECEPTACLE		Product - Customer Drw	sheet 1 of 3		A

Copyright FCI. FCI

10106265-D006001LF



CODE	DESCRIPTION
H7	STD HIGH POWER CONTACT(3.02)
HA	METAL HOLD DOWN
N	STD SIGNAL CONTACT, ROW A
P	STD SIGNAL CONTACT, ROW B
R	STD SIGNAL CONTACT, ROW C
S	STD SIGNAL CONTACT, ROW D



Copyright FCI.

dr	Eddy Zeng	2013/10/09	projection	MM	size	A3	scale	3:2
eng	Eddy Zeng	2013/10/11			ecn no	-	rel level	Released
chr	Li-He	2013/10/10						
appr	Pei-Ming Zheng	2013/10/11	product family	PwrBlade+				
			title 13HP+24S RA PF RECEPTACLE		dwg no 10106265-D006001		rev A	
www.fci.com			cat. no.		Product - Customer Drw		sheet 2 of 3	

NOTES:

- 1) "FCI", PART NUMBER AND DATE CODE TO BE MARKED ON THIS SURFACE.
THE MARK CAN BE OMITTED IF THERE IS NOT ENOUGH SPACE ON THIS SURFACE.
- 2) MATERIALS:
-HOUSING - GLASS FILLED WITH HIGH TEMP THERMOPLASTIC, UL94V-0.
-SIGNAL CONTACT - COPPER ALLOY.
-POWER CONTACT - HIGH CONDUCTIVITY COPPER ALLOY.
- 3) PLATING SPECIFICATION REFER TO FCI 10116351
- 4) DENOTES CONNECTOR KEEP OUT ZONE.
- 5) DATUM AND BASIC DIMENIONS WERE ESTABLISHED BY CUSTOMER.
- 6) ALL HOLE DIAMETERS ARE FINISHED HOLE SIZES.
- 7) 1.15 ± 0.025 MM DRILLED HOLE PLATED WITH 0.00762MM MIN Sn
OVER 0.0254-0.0762MM Cu PLATING TO ACHIEVE A 1.02 ± 0.07 MM HOLE.
- 8) PRODUCT SPECIFICATION REFER TO FCI GS-12-658.
APPLICATION SPECIFICATION REFER TO FCI GS-20-141.
PRODUCT PACKAGED IN TRAYS, REFER TO FCI GS-14-1502.
- 9) THE VOID CORING IN BETWEEN POWER MODULES, SIGNAL
MODULES AND END MODULES ARE OPTIONAL AND THE SHAPE
MAY BE DIFFERENT FOR OPTIMIZE THE MOLDING PROCESS. THE
VOID CORING WILL NOT EFFECT TO PRODUCT FUNCTION.



Copyright FCI.

dr	Eddy Zeng	2013/10/09	projection 	MM 	size	A3	scale	3:2	
eng	Eddy Zeng	2013/10/11			ecn no	-			
chr	Li-He	2013/10/10			rel level	Released			
appr	Pei-Ming Zheng	2013/10/11	product family	PwrBlade+					
		title	13HP+24S		dwg no	10106265-D006001		rev	A
www.fci.com		cat. no.	Product - Customer Drw		sheet 3 of 3				