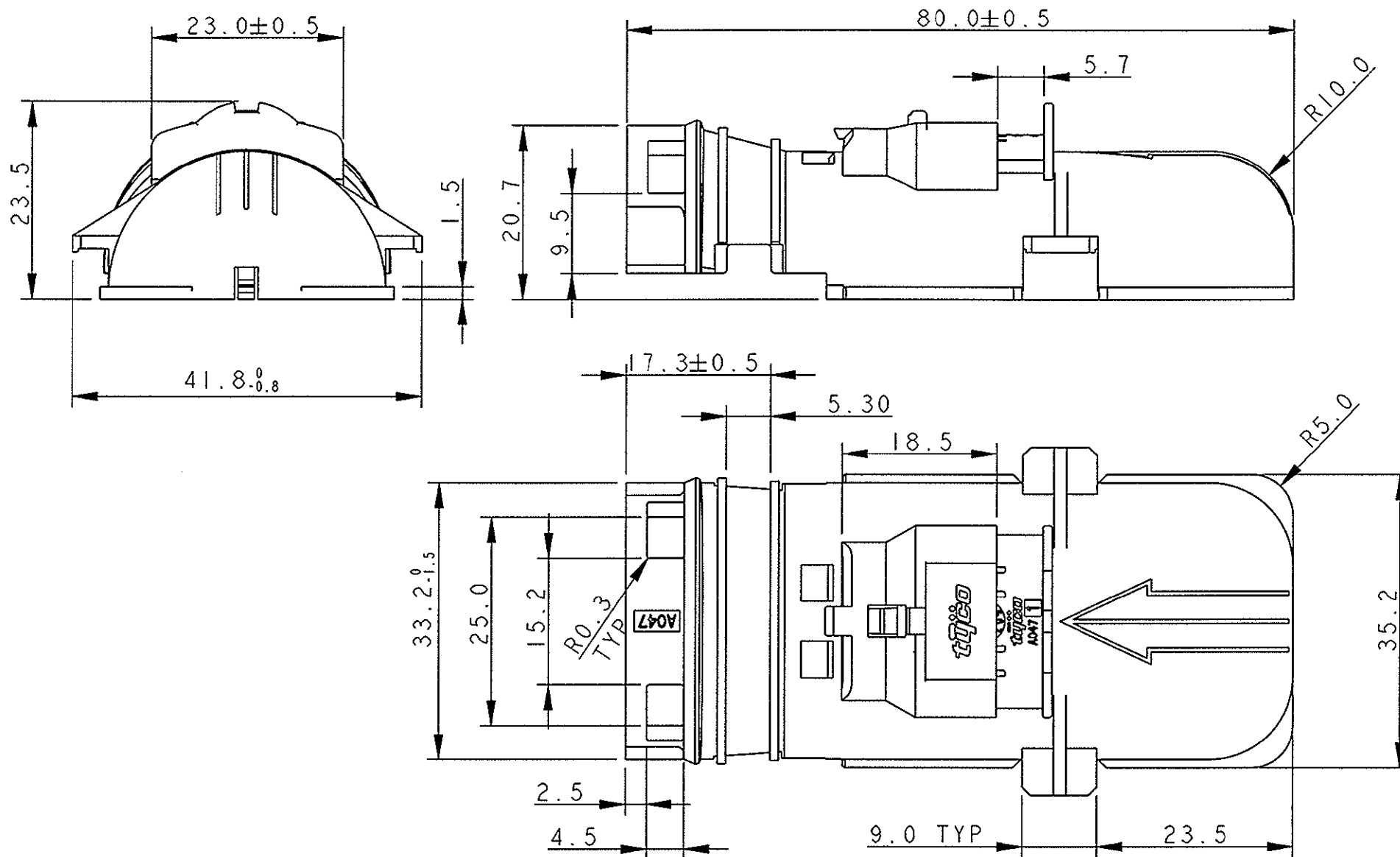
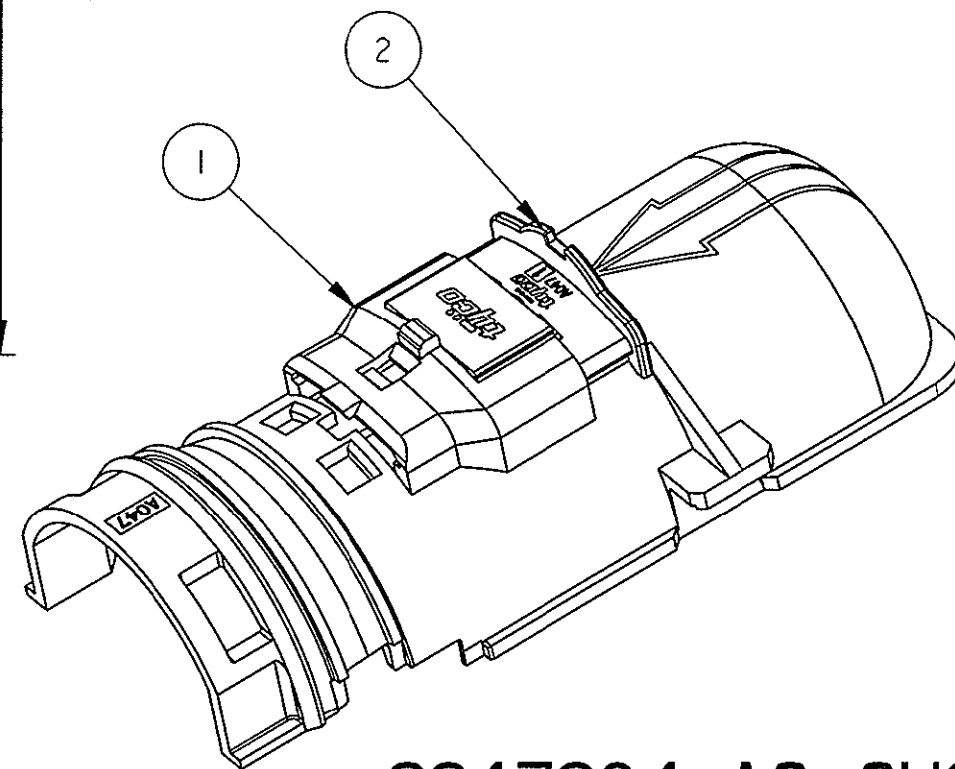


P	LTR	DESCRIPTION	DATE	DWN	APVD
0		PRELIMINARY ISSUE (EMISSIONE PRELIMINARE)	20JAN2004	M. P.	O. C.
A		FIRST ISSUE (PRIMA EMISSIONE) ET00-0036-04	04MAR2004	M. P.	O. C.
AI		RELEASED FOR PRODUCTION (ET00-0059-04)	29APR2004	M. P.	O. C.



NOTES:  
(NOTE:)

- 1) PRODUCT SUITABLE FOR MATING WITH 60 POS. RECEPTACLE HOUSING P/N 2-1355123-3 (PRODOTTO ADATTO ALL'USO IN ACCOPPIAMENTO CON IL CONNETTORE FEMMINA 60 VIE P/N 2-1355123-3)
- 2) THE PRODUCT IS SUPPLIED WITH THE CONTROL POSITION ASSURANCE DEVICE (CPA) OF THE LEVER IN OPENED POSITION (IL PRODOTTO VIENE FORNITO CON IL DISPOSITIVO DI CONTROLLO CHIUSURA LEVA IN POSIZIONE APERTA)



**284726-1 AS SHOWN  
(COME MOSTRATO)**

PART LIST (LISTA COMPONENTI)			
ITEM (NUMERO)	DESCRIPTION (DESCRIZIONE)	MATERIAL (MATERIALE)	QUANTITY (QUANTITA')
1	COVER FOR RECEPTACLE HOUSING (COPERCHIO PER CONNETTORE FEMMINA)	PA66GF COLOR BLACK (COLORE NERO)	1
2	CONTROL POSITION ASSURANCE DEVICE (CPA) (DISPOSITIVO DI CONTROLLO CHIUSURA LEVA)	PA66GF COLOR YELLOW (COLORE GIALLO)	1

THIS DRAWING IS A CONTROLLED DOCUMENT FOR TYCO ELECTRONICS CORPORATION IT IS SUBJECT TO CHANGE AND THE CONTROLLING ENGINEERING ORGANIZATION SHOULD BE CONTACTED FOR THE LATEST REVISION.

DIMENSIONS:	TOLERANCES UNLESS OTHERWISE SPECIFIED:
mm	
	0 PLC ±0.3
	1 PLC ±0.3
	2 PLC ±0.3
	3 PLC ±
	4 PLC ±
	ANGLES ±1°
MATERIAL	FINISH

DWN	M. POLIZZI	20JAN2004	 tyco Electronics AMP Italia C.so Fratelli Cervi, 15 Collegno(To)	
CHK	O. CANUTO	20JAN2004		
APVD	A. GENTA	20JAN2004		
PRODUCT SPEC	108-20235			
APPLICATION SPEC	I.S. 411-20067		NAME	
WEIGHT			KIT COVER 60 POS. WITH CPA (KIT COPERCHIO 60 POSIZIONI CON DISPOSITIVO CONTROLLO CHIUSURA LEVA)	
CUSTOMER DRAWING	SCALE	3:2	SIZE	A3
	SHEET	1	CAGE CODE	00779
	OF	1	DRAWING NO	C=284726
	REV	AI	RESTRICTED TO	