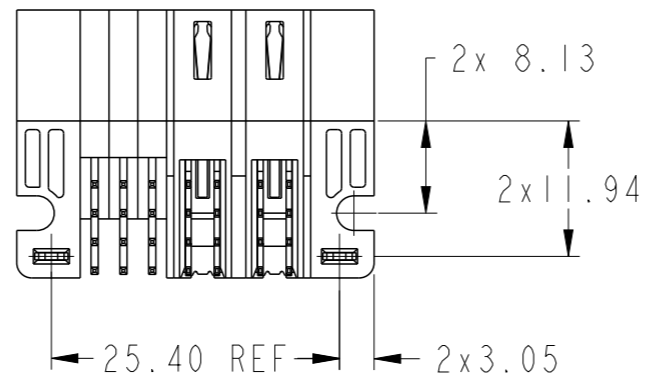
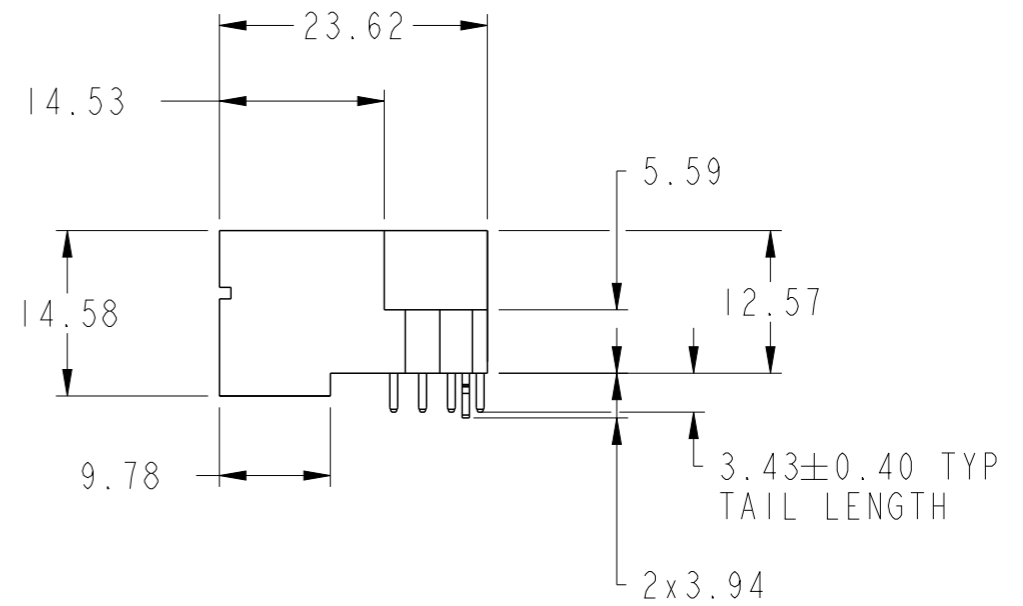
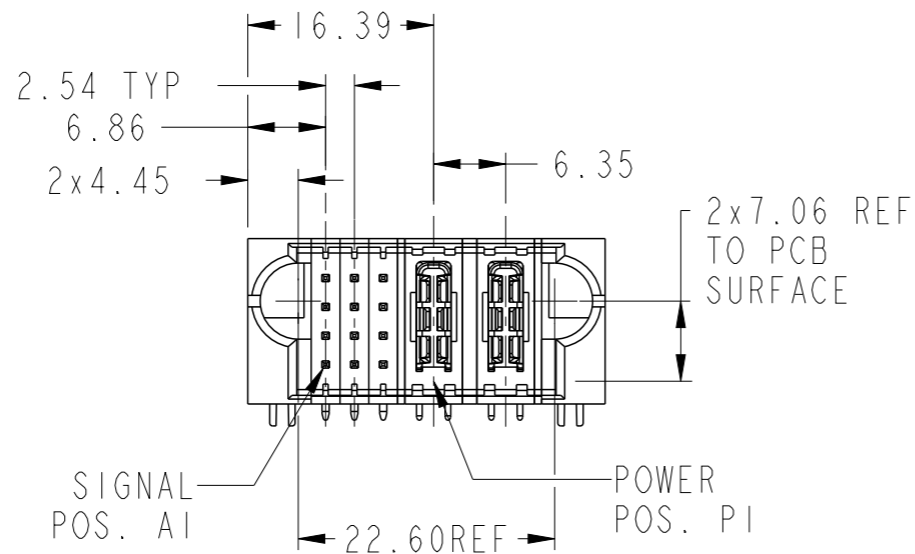
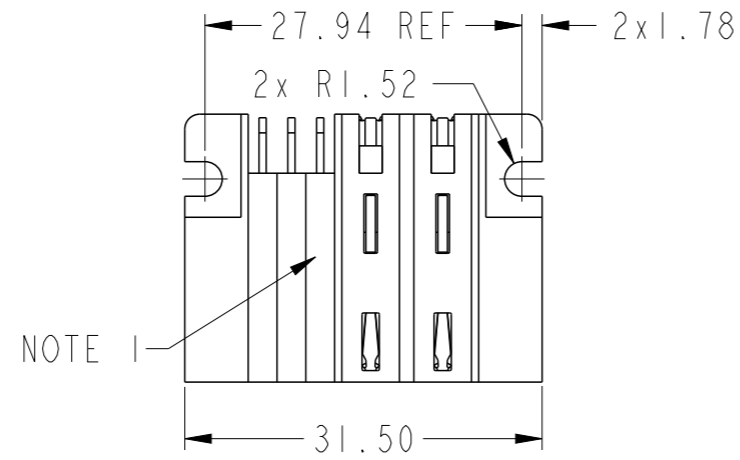
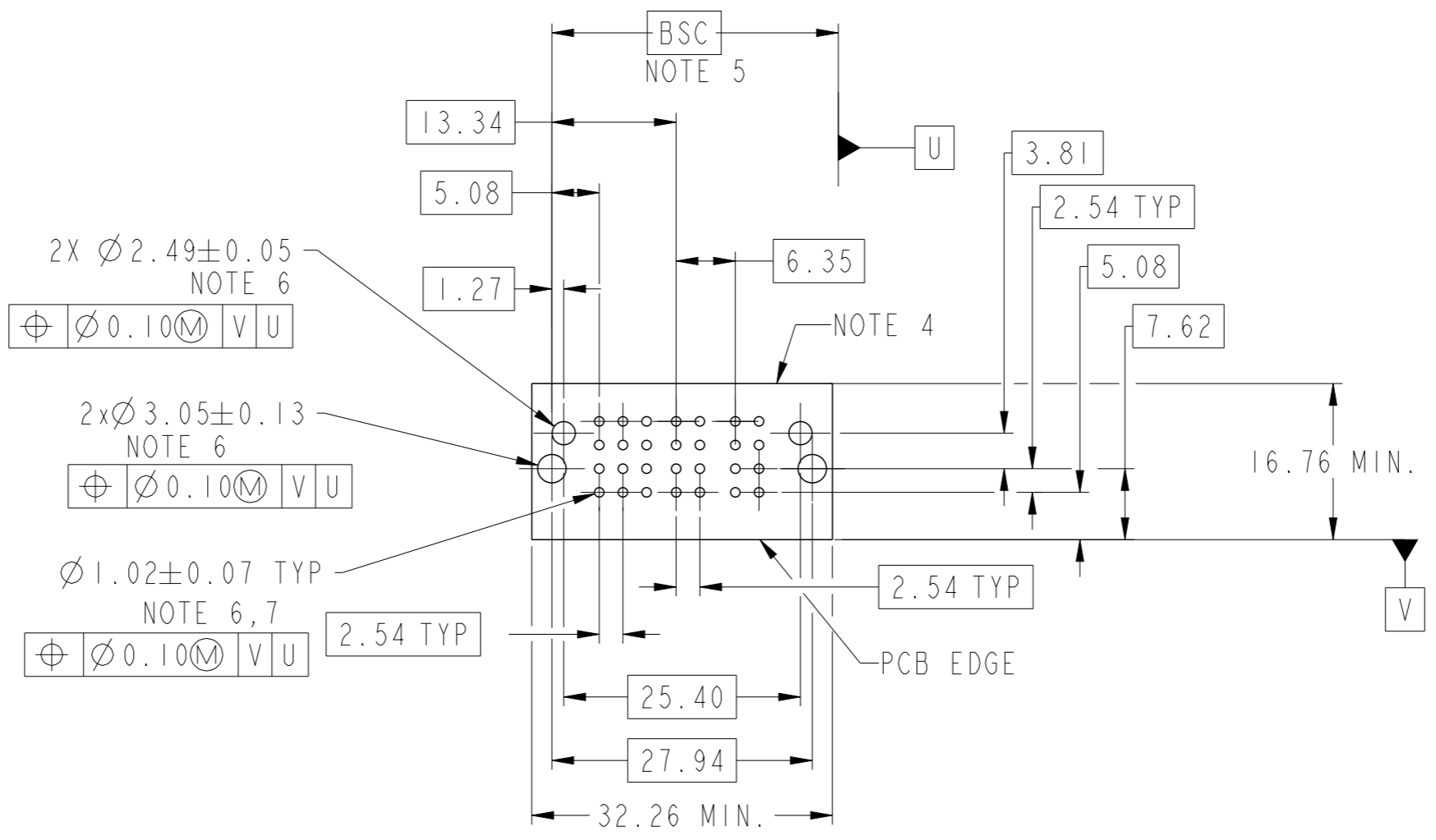


PRODUCT NUMBER SEE SHEET 2



spec ref	*	dr	Rainbow Zhan	2014/06/25	projection	MM	size	A3	scale	3:2
tolerance std	ASME Y14.5	eng	Rainbow Zhan	2015/01/27			ecn no	-	rel level	Released
TOLERANCES UNLESS OTHERWISE SPECIFIED		chr	-	-			product family	PwrBlade+	rel level	Released
surface	<input checked="" type="checkbox"/> linear <input type="checkbox"/> angular	0.X ±0.5 0.XX ±0.25 0.XXX ±0.10			title 12S+2HP RA STB HEADER		dwg no 10106124-2003001	rev A	www.fci.com cat. no. Product - Customer Drw sheet 1 of 3	

PRODUCT NO.	ROWS	SIGNAL			HP		E2
		E1	1	2	3	P1	
10106124-2003001LF	DCBA	U	U	U	U	H1	H1
		T	T	T	T		
		S	S	S	S		
		R	R	R	R		



CODE	DESCRIPTION
HI	STD HIGH POWER CONTACT (3.43)
HA	METAL HOLD DOWN
R	STD SIGNAL CONTACT, ROW A (3.43)
S	STD SIGNAL CONTACT, ROW B (3.43)
T	STD SIGNAL CONTACT, ROW C (3.43)
U	STD SIGNAL CONTACT, ROW D (3.43)

dr	Rainbow Zhan	2014/06/25	projection	MM	size	A3	scale	3:2
eng	Rainbow Zhan	2015/01/27			ecn no		-	
chr	-	-			rel level		Released	
appr	Pei-Ming Zheng	2015/01/27	product family		PwrBlade+			

	title	12S+2HP	dwg no	10106124-2003001	rev	A
	www.fci.com	cat. no.	Product - Customer Drw	sheet 2 of 3		

Copyright FCI.

A

B

C

D

A

B

C

D

NOTES:

- 1) "FCI", PART NUMBER AND DATE CODE TO BE MARKED ON THIS SURFACE.
THE MARK CAN BE OMITTED IF THERE IS NOT ENOUGH SPACE ON THIS SURFACE.
- 2) MATERIALS:
-HOUSING - GLASS FILLED WITH HIGH TEMP THERMOPLASTIC, UL94V-0.
-SIGNAL CONTACT - COPPER ALLOY.
-POWER CONTACT - HIGH CONDUCTIVITY COPPER ALLOY.
- 3) PLATING SPECIFICATION REFER TO FCI 10116351
- 4) DENOTES CONNECTOR KEEP OUT ZONE.
- 5) DATUM AND BASIC DIMENIONS WERE ESTABLISHED BY CUSTOMER.
- 6) ALL HOLE DIAMETERS ARE FINISHED HOLE SIZES.
- 7) 1.15 ± 0.025 MM DRILLED HOLE PLATED WITH 0.00762MM MIN Sn
OVER 0.0254-0.0762MM Cu PLATING TO ACHIEVE A 1.02 ± 0.07 MM HOLE.
- 8) PRODUCT SPECIFICATION REFER TO FCI GS-12-658.
APPLICATION SPECIFICATION REFER TO FCI GS-20-141.
PRODUCT PACKAGED IN TRAYS, REFER TO FCI GS-14-1502.



Copyright FCI.

dr	Rainbow Zhan	2014/06/25	projection 	MM 	size	A3	scale	3:2	
eng	Rainbow Zhan	2015/01/27			ecn no	-			
chr	-	-			rel level	Released			
appr	Pei-Ming Zheng	2015/01/27	product family	PwrBlade+					
		title		12S+2HP	dwg no	10106124-2003001		rev	A
www.fci.com		cat. no.	Product - Customer Drw		sheet 3 of 3				