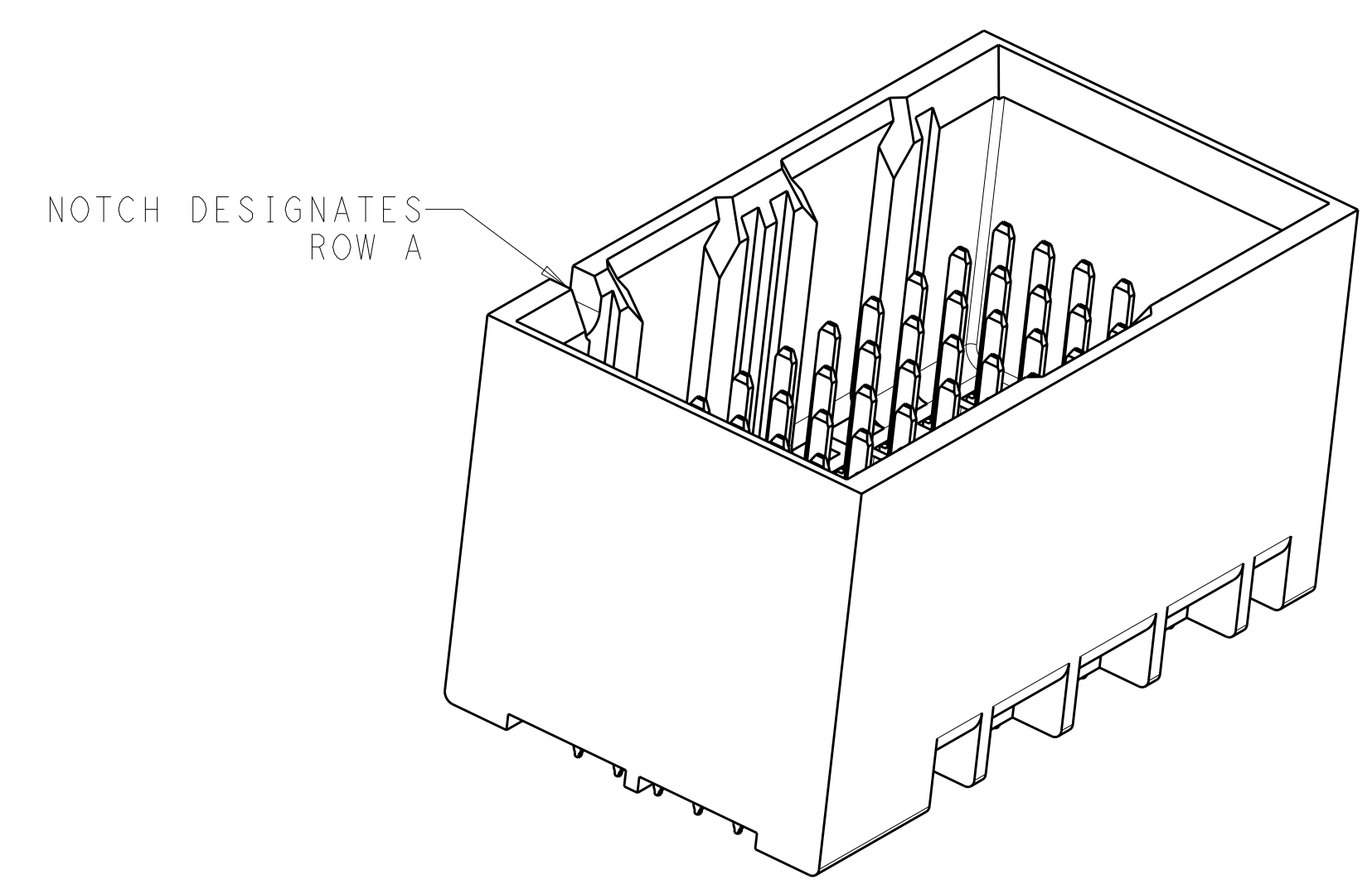
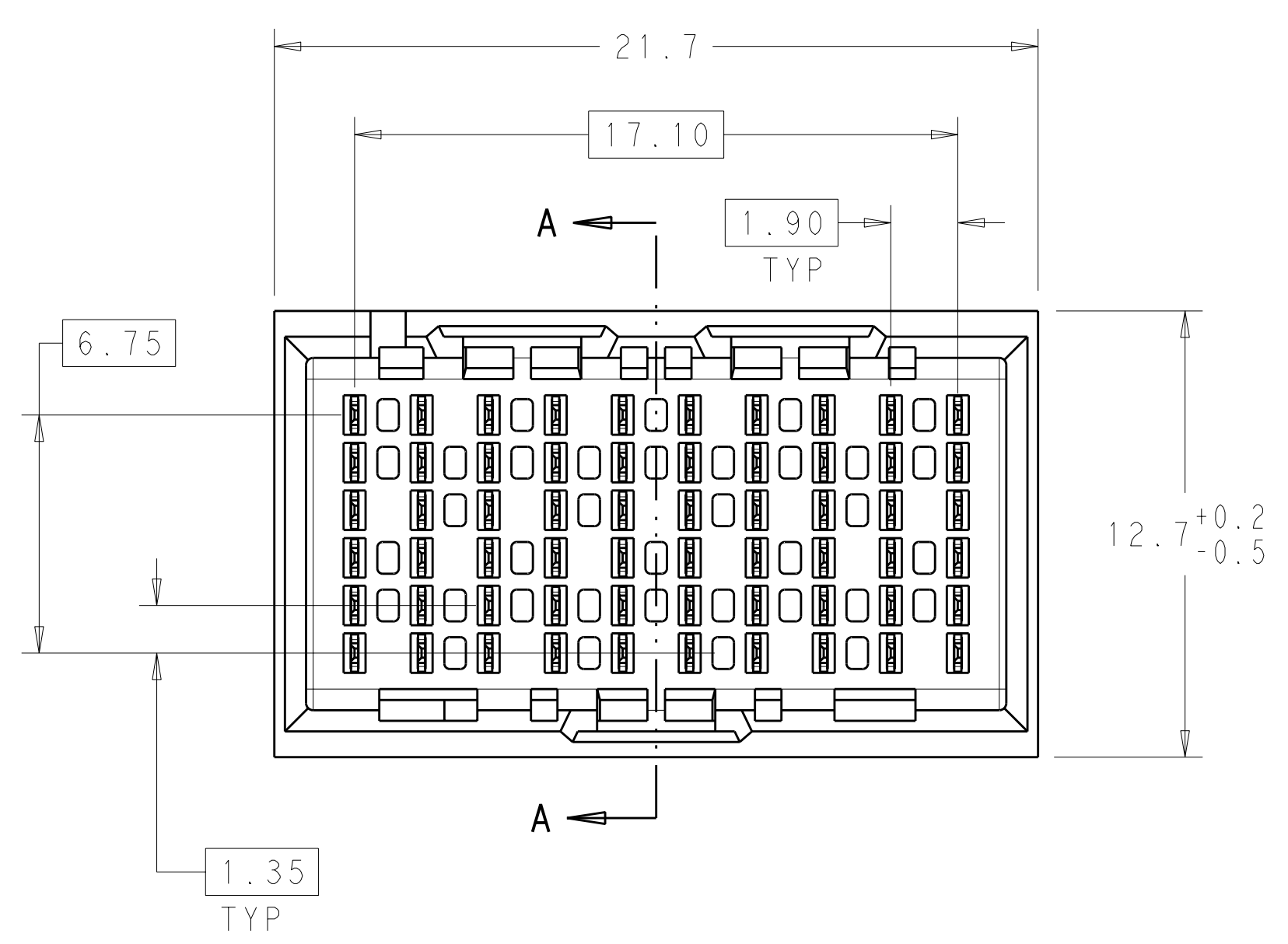
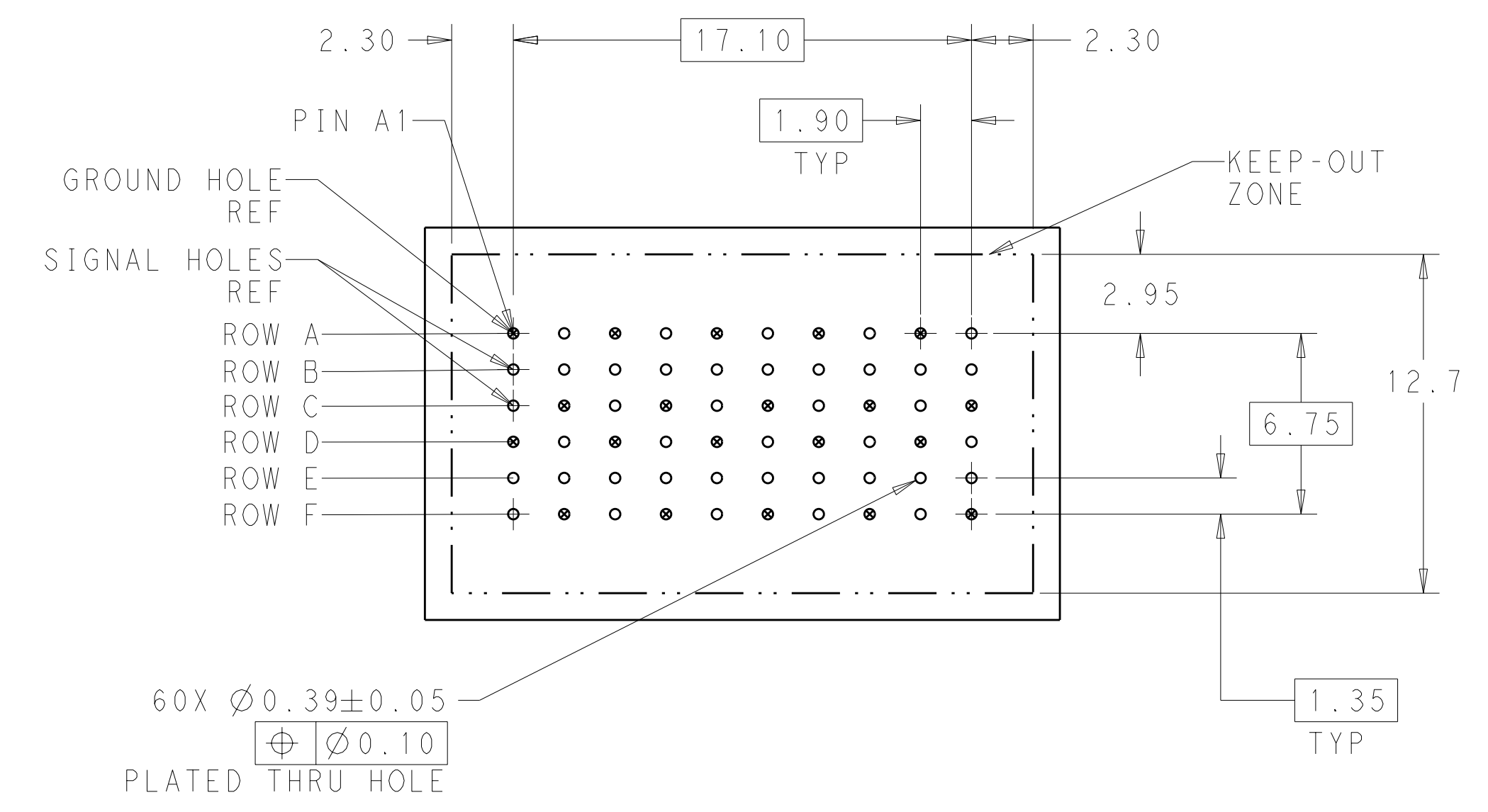


LOC	DIST	REVISIONS			
AD	00	REV	DATE	BY	APPD
		B	05JAN12	KH	DY

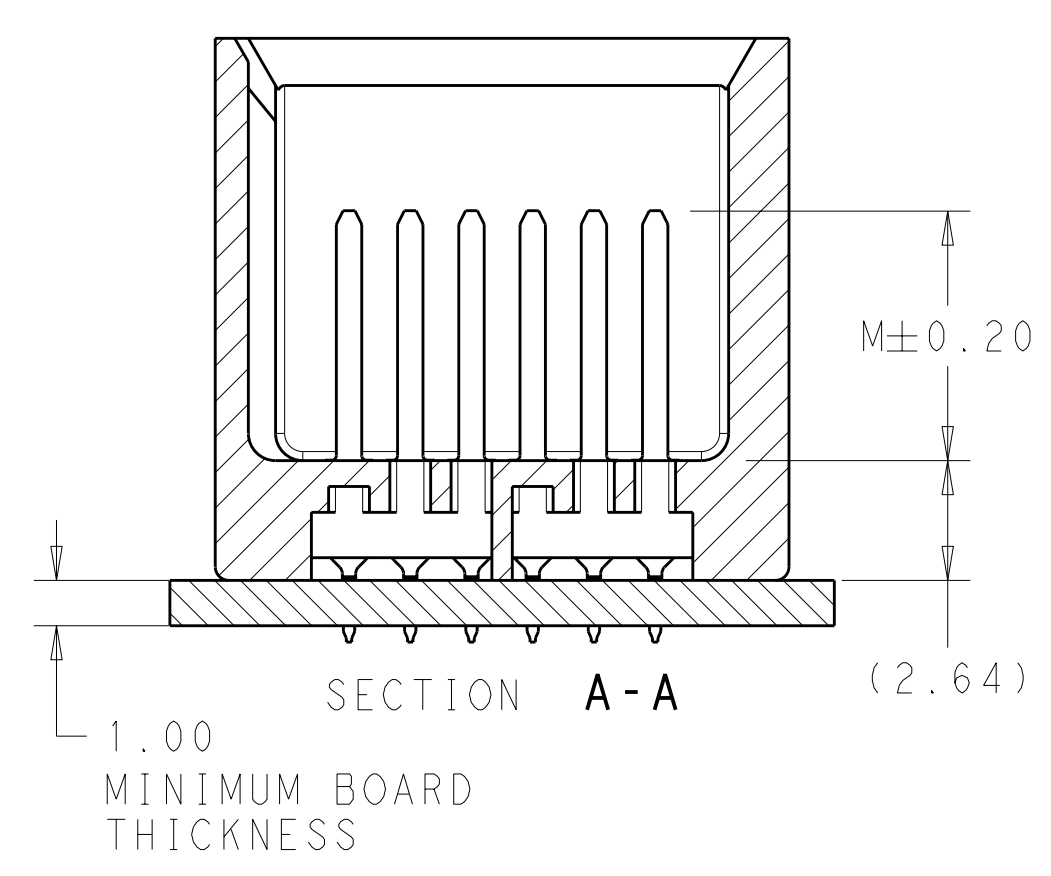
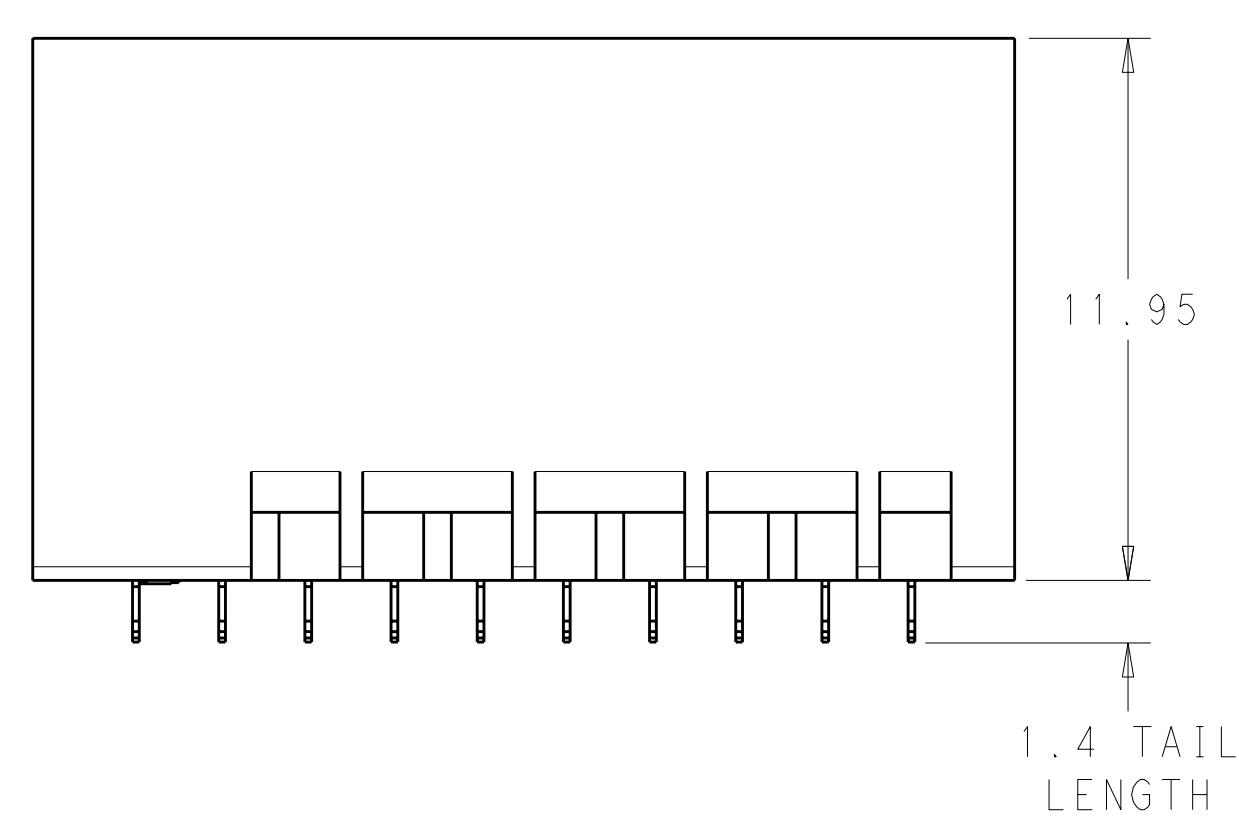


- 1 MATERIAL:
HOUSING: LCP, GLASS FILLED, UL94V-0.
TERMINALS: HIGH PERFORMANCE COPPER ALLOY.
- 2 FINISH:
30µ" MIN GOLD IN CONTACT AREA. SELECTIVE TIN
ON PCB TAILS, NICKEL OVERALL.
- 3 FINISH:
30µ" MIN GOLD IN CONTACT AREA. SELECTIVE TIN-LEAD
ON PCB TAILS, NICKEL OVERALL.



60X $\varnothing 0.39 \pm 0.05$
 $\varnothing 0.10$
 PLATED THRU HOLE

UNGUIDED
 BACKPLANE HOLE PATTERN
 (CONNECTOR SIDE)




THIS DRAWING IS A CONTROLLED DOCUMENT.		DWN J. K. SHOBER 15DEC2010	TE Connectivity																				
DIMENSIONS: mm		CHK J. EBY 15DEC2010																					
<table border="1"> <tr> <th>TOLERANCES UNLESS OTHERWISE SPECIFIED:</th> <th>0 PLC</th> <th>±</th> </tr> <tr> <td>1 PLC</td> <td>±0.25</td> <td></td> </tr> <tr> <td>2 PLC</td> <td>±0.13</td> <td></td> </tr> <tr> <td>3 PLC</td> <td>±</td> <td></td> </tr> <tr> <td>4 PLC</td> <td>±</td> <td></td> </tr> <tr> <td>ANGLES</td> <td>±</td> <td></td> </tr> <tr> <td>FINISH</td> <td>SEE TABLE</td> <td></td> </tr> </table>		TOLERANCES UNLESS OTHERWISE SPECIFIED:	0 PLC	±	1 PLC	±0.25		2 PLC	±0.13		3 PLC	±		4 PLC	±		ANGLES	±		FINISH	SEE TABLE		NAME IMPACT, 2 PAIR, 10 COLUMN, HEADER UNGUIDED, DUAL END WALL SIGNAL MODULE, 0.39 PTH
TOLERANCES UNLESS OTHERWISE SPECIFIED:	0 PLC	±																					
1 PLC	±0.25																						
2 PLC	±0.13																						
3 PLC	±																						
4 PLC	±																						
ANGLES	±																						
FINISH	SEE TABLE																						
MATERIAL	SEE TABLE	APVD J. EBY 15DEC2010	SIZE CAGE CODE DRAWING NO A100779C=2057432																				
CUSTOMER DRAWING		WEIGHT	RESTRICTED TO																				
		SCALE 6:1	SHEET 1 OF 2 REV B																				

THIS DRAWING IS UNPUBLISHED. RELEASED FOR PUBLICATION 20
 © COPYRIGHT 20 . . . ALL RIGHTS RESERVED.

LOC	DIST	REVISIONS					
AD	00	P	LTB	DESCRIPTION	DATE	DWN	APVD
		-	-	SEE SHEET 1	-	-	-

FINISH	DIM M	PART NUMBER
\triangle_3	5.5	2057432-6
\triangle_3	4.9	2057432-5
\triangle_3	4.5	2057432-4
\triangle_2	5.5	2057432-3
\triangle_2	4.9	2057432-2
\triangle_2	4.5	2057432-1

REFER TO WWW.TE.COM
FOR PRODUCT AVAILABILITY

THIS DRAWING IS A CONTROLLED DOCUMENT.		DWN J. K. SHOBER 15DEC2010	 TE Connectivity
DIMENSIONS: mm		CHK J. EARY 15DEC2010	
TOLERANCES UNLESS OTHERWISE SPECIFIED: 9 PLC ± 7 PLC ±0.25 5 PLC ±0.13 4 PLC ± ANGLES ± FINISH SEE TABLE		APVD J. EARY 15DEC2010	NAME IMPACT, 2 PAIR, 10 COLUMN, HEADER UNGUIDED, DUAL END WALL SIGNAL MODULE, 0.39 PTH
MATERIAL -	PRODUCT SPEC -	APPLICATION SPEC -	RESTRICTED TO -
CUSTOMER DRAWING		WEIGHT -	SCALE 5:1 SHEET 2 OF 2 REV B