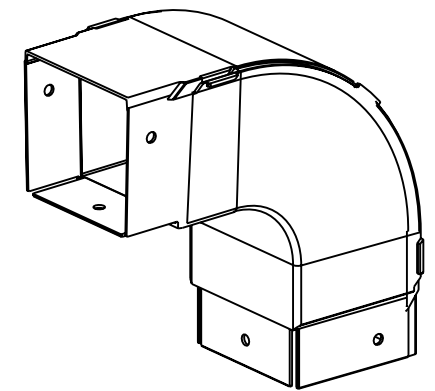
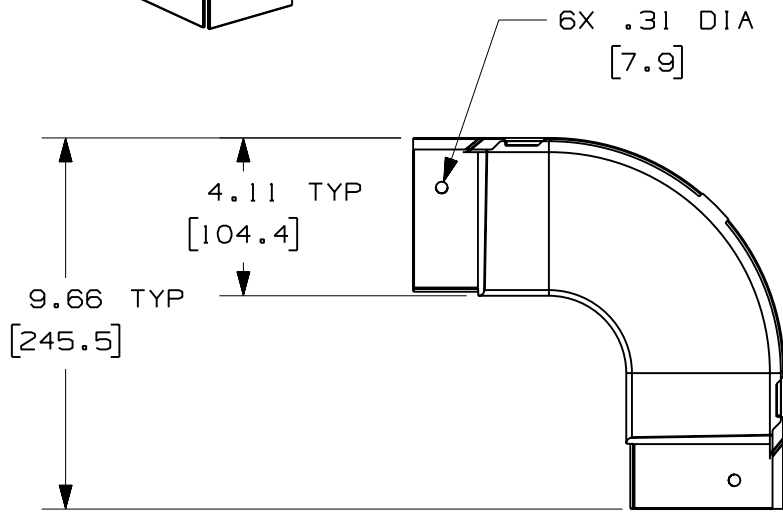
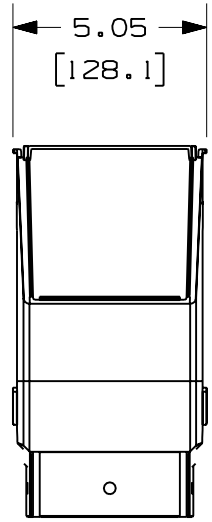


PANDUIT PART NUMBER	WEIGHT
FOVRA4X4	0.93 LB/EACH (422g/EACH)



**J** NOTES:

1. SEE CURRENT CATALOG FOR ADDITIONAL PART SUFFIXES TO INDICATE COLOR AND/OR PACKAGE QUANTITY.
2. THE FIBER-DUCT 4x4 OUTSIDE VERTICAL RIGHT ANGLE FITTING IS DESIGNED WITH A MINIMUM 2" (50.8) BEND RADIUS TO PROTECT FIBER OPTIC CABLES.
3. DIMENSIONS IN PARENTHESES ARE IN METRIC.



ENG. REF.: D35245CG\_DC\_FOVRA4X4\_03.prt

CAD FILENAME/LAYERS: FOVRA4X4.pdf

REV	DATE	BY	CHK	DESCRIPTION	ECN	R	CUST	SUP	GMBH
-	-----	---	---	J. REVISED GENERAL NOTES. I. REVISED PART WEIGHT.	-----	--	--		
-	-----	---	---	H. REVISED MATERIAL. G. REVISED DRAWING TITLE.	-----	--	--		
3	12-15-06	MSO	RN	F. REVISED CAD FILENAME. E. REVISED AND REDRAWN.	35245-33	RN	RN		

**PANDUIT** CORP TINLEY PARK, ILLINOIS  
**FIBER-DUCT 4x4 OUTSIDE VERTICAL RIGHT ANGLE FITTING (FOVRA4X4)**  
 CUSTOMER DRAWING

UNLESS OTHERWISE SPECIFIED, DIMENSIONAL TOLERANCES ARE: (.X) ± (.XXX) ± (.XX) ± .03 (.8) ANGLES ±		UNLESS OTHERWISE SPECIFIED, ALL DIMENSIONS ARE GIVEN IN INCHES, THIRD ANGLE PROJECTION.	
DRAWN BY: RCA	MAT'L: ABS	SCALE: NONE	DWG SIZE: A
DATE: 5-16-97		DRAWING NO.: 35245-33	
CHK'D: CEF			