

# BlueTooth 2 Stick™

Manual

*All Mikroelektronika's development systems feature a large number of peripheral modules expanding microcontroller's range of application and making the process of program testing easier. In addition to these modules, it is also possible to use numerous additional modules linked to the development system through the I/O port connectors. Some of these additional modules can operate as stand-alone devices without being connected to the microcontroller.*

Additional Board

 **MikroElektronika**

SOFTWARE AND HARDWARE SOLUTIONS FOR EMBEDDED WORLD ...making it simple

## Bluetooth 2 Stick

The Bluetooth 2 Stick is an additional board which enables the microcontroller to communicate with wireless devices.

### Key features:

- Serial UART communication;
- Support for 802.11 Coexistence;
- Range up to 1000m;
- 3.3V DC power supply.



Figure 1: Bluetooth 2 Stick

### Appliance:

The Bluetooth 2 Stick additional board is used as a wireless interface between microcontroller and other bluetooth device. For communication with a microcontroller, the additional board uses serial UART communication. To connect this additional board to a microcontroller you can use six marked pads (CN1). It is also possible to solder a 1x6 male header to pads.

### Jumper settings:

The additional board comes with soldered smd jumpers which can be removed by desoldering.

Jumpers description:

- J1: Enables connection between RTS pad and bluetooth module RN41;
- J2: Enables connection between CTS pad and bluetooth module RN41;

### Pinout:

Pads pinout (CN1):

- RX: MCU UART receive Input;
- TX: MCU UART transmit output;
- CTS: MCU Clear To Send;
- RTS: MCU Request To Send;
- VCC-3.3V: 3.3V DC power supply; and
- GND: Ground.

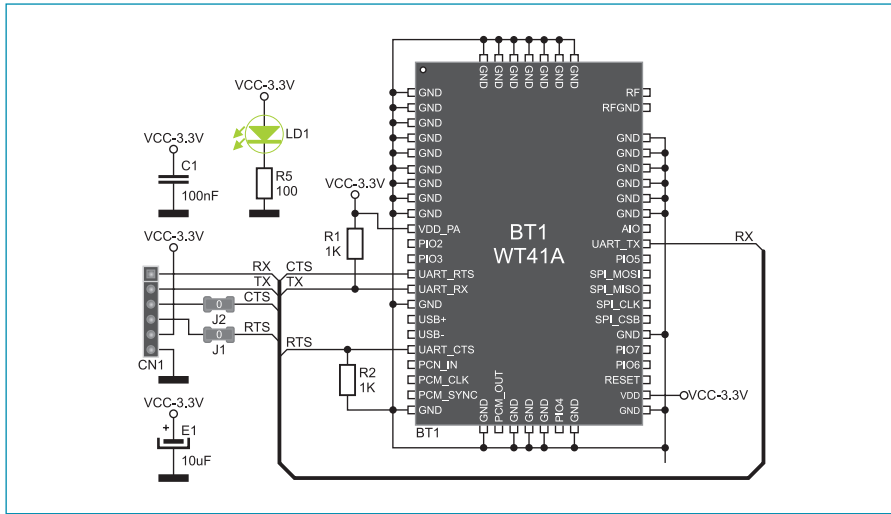


Figure 2: BlueTooth 2 Stick connection schematic

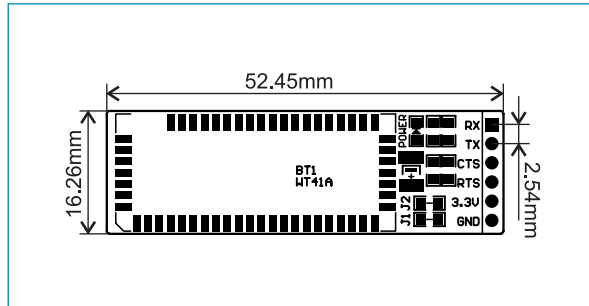


Figure 3: Dimensions of the Bluetooth 2 Stick board



**MikroElektronika**  
SOFTWARE AND HARDWARE SOLUTIONS FOR EMBEDDED WORLD ...making it simple

If you want to learn more about our products, please visit our website at [www.mikroe.com](http://www.mikroe.com)

If you are experiencing some problems with any of our products or just need additional information, please place your ticket at [www.mikroe.com/en/support](http://www.mikroe.com/en/support)

If you have any questions, comments or business proposals, do not hesitate to contact us at [office@mikroe.com](mailto:office@mikroe.com)