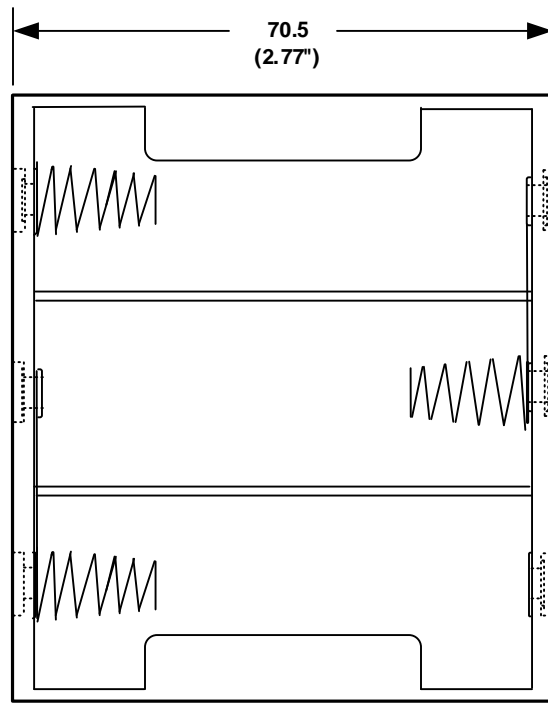
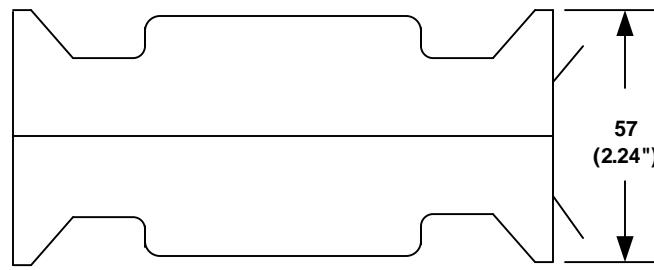


DATE	SYM	REVISION RECORD	AUTH	DR.	CK.
9/10/06	A	ADDED "ROHS COMPLIANT"	T.B.	B.S.	
1/12/08	B	RANGE WAS "RANGEE"	T.B.	B.S.	

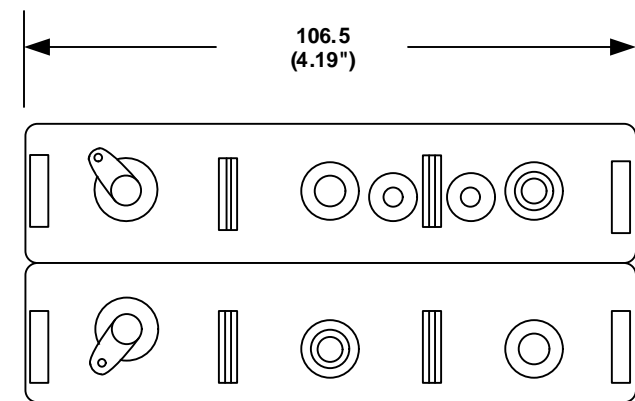


BH36D 

**SOLDER LUGS = L**  
**(6") WIRE LEADS = W**  
**9VOLT TYPE SNAPS = SF**  
**BUMP PLATES = B**



SOLDER LUGS SHOWN ABOVE




**SPECIFICATIONS:**

Plastic material - polypropylene  
 Flammability Rating-UL94 HB, UL File No. E216959  
 Temperature Range: -10°C to +100°C  
 Springs - nickel plated spring steel  
 Wire - 152.4 mm Long 26 AWG, UL1007, CSA - TR-64, 300V, 80° C.  
 Rivets - Brass, nickel plated  
 9 Volts Snaps - Brass, nickel plated  
 Contact Resistance: Under 50mΩ for +/- contacts per EIA-540J000  
 ROHS COMPLIANT

**ORDERING CODE**

**Note:** Dimensions in mm. ( inches )

TOLERANCES (EXCEPT AS NOTED)	 <b>Memory Protection Devices, Inc.</b> 200 Broad Hollow Road, Farmingdale, New York 11735		
DECIMAL + .5 (.020") - .5 (.020")	SCALE	DRAWN BY	S.C.
FRACTIONAL + .8 (.030") - .8 (.030")	TITLE <b>SIX "D" CELL HOLDER</b>		
ANGULAR + 3° - 3°	DATE 1/12/08	DRAWING NUMBER <b>BH36DL</b>	
		APPROVED BY	