

MICRO SWITCH

FREERPORT ILLINOIS, U.S.A
A DIVISION OF HONEYWELL
FED. MFG. CODE 91929

SWITCH - BASIC

CATALOG LISTING

YZ-2R-A21

AWF2550

YZ-2R-A21

PAGE 1 OF 1

REPLACES

RELEASE NO. PR-3836

M

DRAWING NUMBER

ISSUE

12

CHECK

REVISIONS

A	OBS DWG C082292	C S L 26 JAN 96
B	REINST PR22383	DLT 18 SEP 96
C	C093346	DLT 22 SEP 98
D	0000624	JAH 23 JUN 03
E	0015138	SPK 29 AUG 05

CHECK

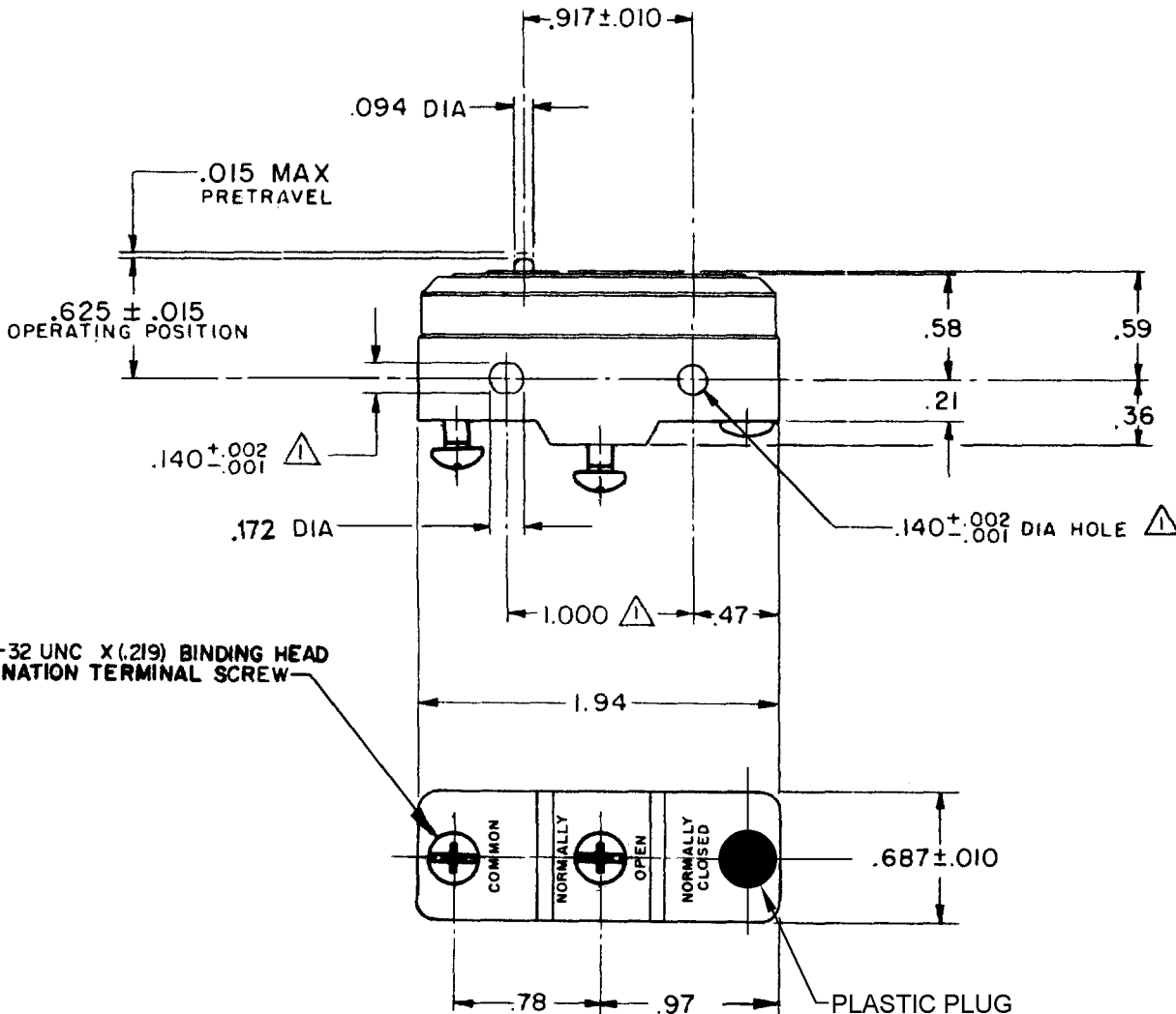
29 AUG 05

RJ

CHECK

18 SEP 96

RASTER



NOTE

1 MOUNTING HOLES WILL ACCEPT PINS OR SCREWS OF .139 MAX DIA ON 1.000 ± .002 CENTERS

THIS DRAWING COVERS A PROPRIETARY ITEM AND IS THE PROPERTY OF MICRO SWITCH, A DIVISION OF HONEYWELL. THIS DRAWING IS NOT TO BE COPIED OR USED WITHOUT THE APPROVAL OF MICRO SWITCH.

THIRD ANGLE PROJECTION

CHARACTERISTICS

OPERATING FORCE ----- 9-13 OZ
RELEASE FORCE ----- 4 OZ MIN
DIFFERENTIAL TRAVEL --- .0004 --- .0020
OVERTRAVEL ----- .005 MIN

ELECTRICAL DATA

CONTACT ARRANGEMENT
S P N O

CODE L96 15A-125, 250 OR 480 VAC
1/8 HP-125 VAC; 1/4 HP-250 VAC
1/2 A-125 VDC; 1/4 A-250 VDC

-L288-
-L306-
-L315-

CE EN 05 RJ SP
16A 250V ~ T85 5E4

SCALE FULL

DO NOT SCALE PRINT

TOLERANCES

APPLY TO DESIGN UNITS. CONVERSIONS ARE ONLY FOR REFERENCE. UNLESS NOTED, TOLERANCES ARE ±

	DIM. mm	TOL. mm/in	DIM. in	TOL. mm/in
NO PLACES	X	1/04	X X	0.07/03
ONE PLACE	X,X	0.47/018	X XX	0.38/015
TWO PLACES	X,XX	0.15/006	X XXX	0.13/005
THREE PLACES	X,XXX			

DESIGN UNITS SI METRIC US CUSTOMARY

WEIGHT .063 LB