

4

3

2

1

THIS DRAWING IS UNPUBLISHED
VERTRAULICHE UNVERÖFFENTLICHE ZEICHNUNG

RELEASE FOR PUBLIKATION
FREI FUER VERÖFFENTLICHUNG

MATED WITH:
PASSEND ZU:

LOC

DIST

REVISIONS
ÄNDERUNGEN

© COPYRIGHT 2000

BY AMP INCORPORATED

ALL RIGHTS RESERVED
ALLE RECHTE VORBEHALTEN

BG5

AI

-

P

LTR

DESCRIPTION
BESCHREIBUNG

DATE

DWN

APVD

PROJEKT NR.
EGGMA05416

B1

AS PER ECR-07-012982

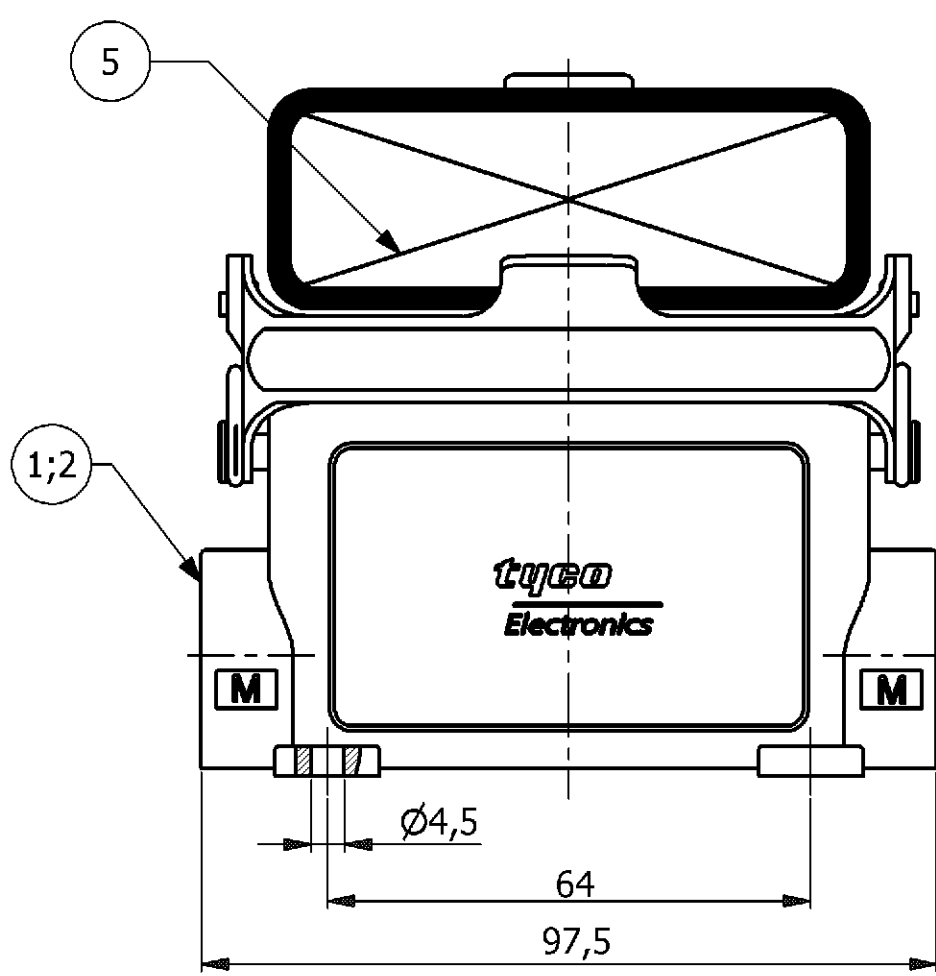
5/28/2007

PB

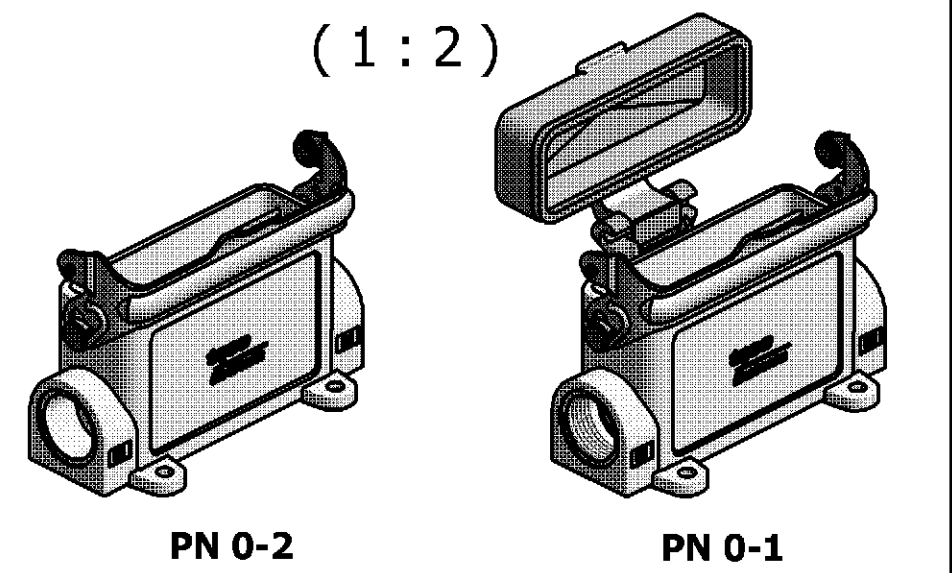
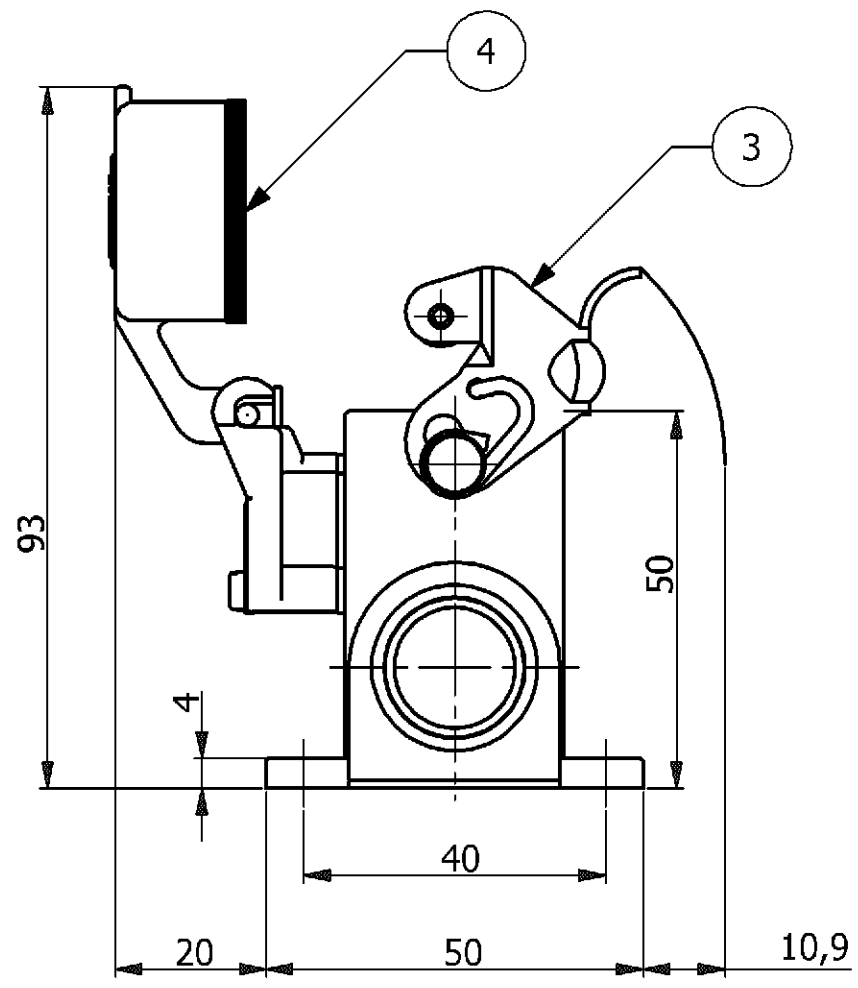
ST

NOTES

- 1 PACKAGING QUANTITY: 5 PIECES PER BOX
- 2 MATERIAL: SEE TABLE
- 3 FINISH: VARNISH
- 4 VARNISH ON THE INSIDE NOT NECESSARY



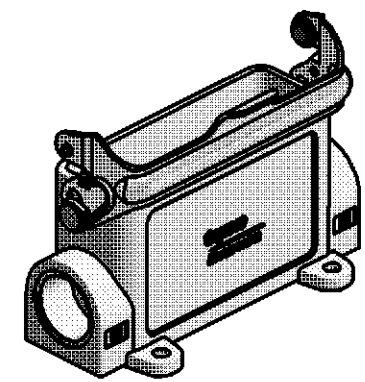
PN 0-1 as shown



Ordering Text
HA.16.SGD-LB.2.M20.Z

Ordering Text
HA.16.SGD-LB.2.M20.Z

QTY	DESCRIPTION	MATERIAL	SURFACE	COLOR	ITEM NO.	REMARKS	
1	Surface Mounted Housing-Side Entry	Aluminium	HC	Black	6	-	
-	1 Cover	Aluminium	-	Grey	5	-	
-	1 Profile Seal	Neoprene	-	Black	4	-	
1	1 Side Clip	Steel	Zinc Plated	Blue	3	-	
-	1 Surface Mounted Housing-Side Entry	Aluminium	-	Grey	2	-	
-	1 Surface Mounted Housing-Side Entry	Aluminium	-	Grey	1	-	
0-4	0-2 0-1	DESCRIPTION	MATERIAL	SURFACE	COLOR	ITEM NO.	REMARKS



PN 0-4
Ordering Text
HA-K.16.SGD-LB.2.M20.Z

THIS DRAWING IS A CONTROLLED DOCUMENT FOR AMP INCORPORATED. IT IS SUBJECT TO CHANGE AND THE CONTROLLING ENGINEERING ORGANIZATION SHOULD BE CONTACTED FOR THE LATEST REVISION. DIESSES ZEICHNUNGSDOKUMENT WIRD DURCH AMP INCORPORATED KONTROLLIERT. ÄNDERUNGEN, DIE DEM TECHNISCHEN FORTSCHRITT DIENTEN, SIND VORBEHALTEN. DEN JEWELIGS LETZTGÜLTIGEN ÄNDERUNGSSTAND ERFAHREN SIE AUF ANFRAGE.		DWN	P.BENNUR	3/2/2006	 Tyco / Electronics AMP GmbH D - 53819 Neunkirchen
DIMENSIONS: DIMENSIONEN: mm		CHK	R.SRINIVAS	3/2/2006	
TOLERANCES UNLESS OTHERWISE SPECIFIED: ALLGEMEINTOLERANZEN n. ISO 8015 - mH-E n. ISO 2768 - 140 n. DIN 16901-		APVD	T.SCHNURPFEL	3/2/2006	NAME
DIMENSIONAL TOLERANCES: 0 PLC # 1 PLC # 2 PLC # 3 PLC # ANGLES / WINKEL #		PRODUCT SPEC. / PRODUKTSPEZ.		SURFACE MOUNTED HOUSING, SIDE ENTRY HA.16.SG/D-LB.2.M20.Z	
MATERIAL		APPLICATION SPEC. / VERARBEITUNGSSPEZ.		SIZE	RESTRICTED TO NUR FUER
FINISH / OBERFLÄECHE / FARBE		WEIGHT / GEWICHT		CAGE CODE	DRAWING NO. / ZEICHNUNGS-NR.
				A3	00779
CUSTOMER DRAWING / KUNDENZEICHNUNG				SCALE / MASSSTAB	1:1
				SHEET / BLATT	1 OF 1
				REV.	B1

H:\HTS\projects\ESQ\05-410-PPA-PD Hoods and Housing\HA_16\Assemblies\1106438\C-1106438.dwg