

5

4

3

2

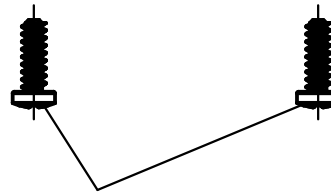
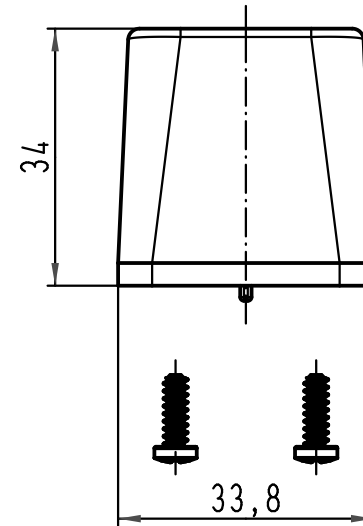
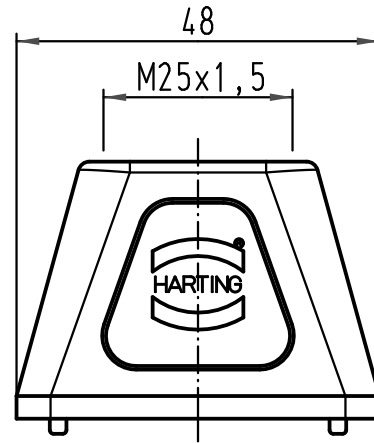
1

D

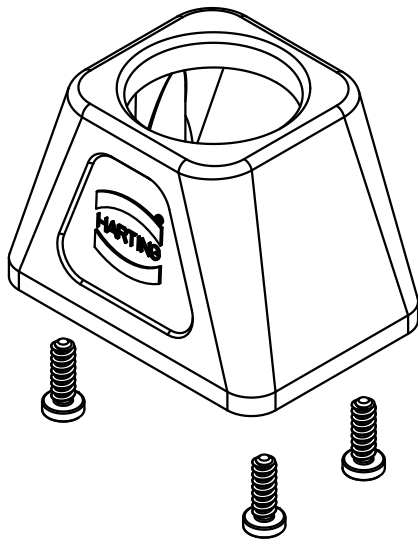
C

B

A



wird lose mitgeliefert/
added separatly



| | | | | | | | | | |
|---|----------|-----|---|----------|------|---|--|--|--|
| All Dimensions in mm Original Size DIN A 4 | | | Techn. Character. | | | Nicht tolerierte Maß/Free size tolerances | | | |
| | | | | Dat. | Name | Maßstab/Scale 1:1 | Han 1 Mod-gg-M25 Topfgehäuse/ hood | | |
| | | | Detail. | 08.03.02 | Gö | | | | |
| | | | Insp. | | HERB | | | | |
| | | | Stand. | | | | | | |
| 413260 | 09.10.07 | Ste | HARTING Electric GmbH & Co. KG D-32339 Espelkamp | | | | TB 19 14 001 0401 | | |
| 29999 | | | Mod. | Dat. | Name | | | | |