

THE INFORMATION CONTAINED HEREIN IS CONSIDERED 'PROPRIETARY' TO BEL FUSE INC. AND SHALL NOT BE COPIED, REPRODUCED OR DISCLOSED WITHOUT THE WRITTEN APPROVAL OF BEL FUSE INC.

LED POLARITY		
PIN 11	PIN 12	COLOR
-	+	GREEN
+	-	ORANGE



ELECTRICAL CHARACTERISTICS @ 25°C

URNS RATIO

TP1	1CT : 1CT ±2%
TP2	1CT : 1CT ±2%
TP3	1CT : 1CT ±2%
TP4	1CT : 1CT ±2%

□CL @ 100kHz/100mVRMS

8mA DC BIAS 350µH MIN.

INS. LOSS

0.1MHz TO 1MHz	-1.1 dB MAX
1MHz TO 65MHz	-0.5 dB MAX
65MHz TO 100MHz	-0.8 dB MAX
100MHz TO 125MHz	-1.2 dB MAX

RET. LOSS (MIN)

0.5MHz-40MHz	-18 dB
40MHz-100MHz	-12+20LOG(f/80MHz) dB

CM TO CM REJ

100kHz - 100MHz -30 dB MIN

CM TO DM REJ

100kHz - 100MHz -35 dB MIN

HIPOT (Isolation Voltage):

1500 Vrms

100% OF PRODUCTION TESTED TO COMPLY WITH IEEE 802.3 ISOLATION REQUIREMENTS.

LED

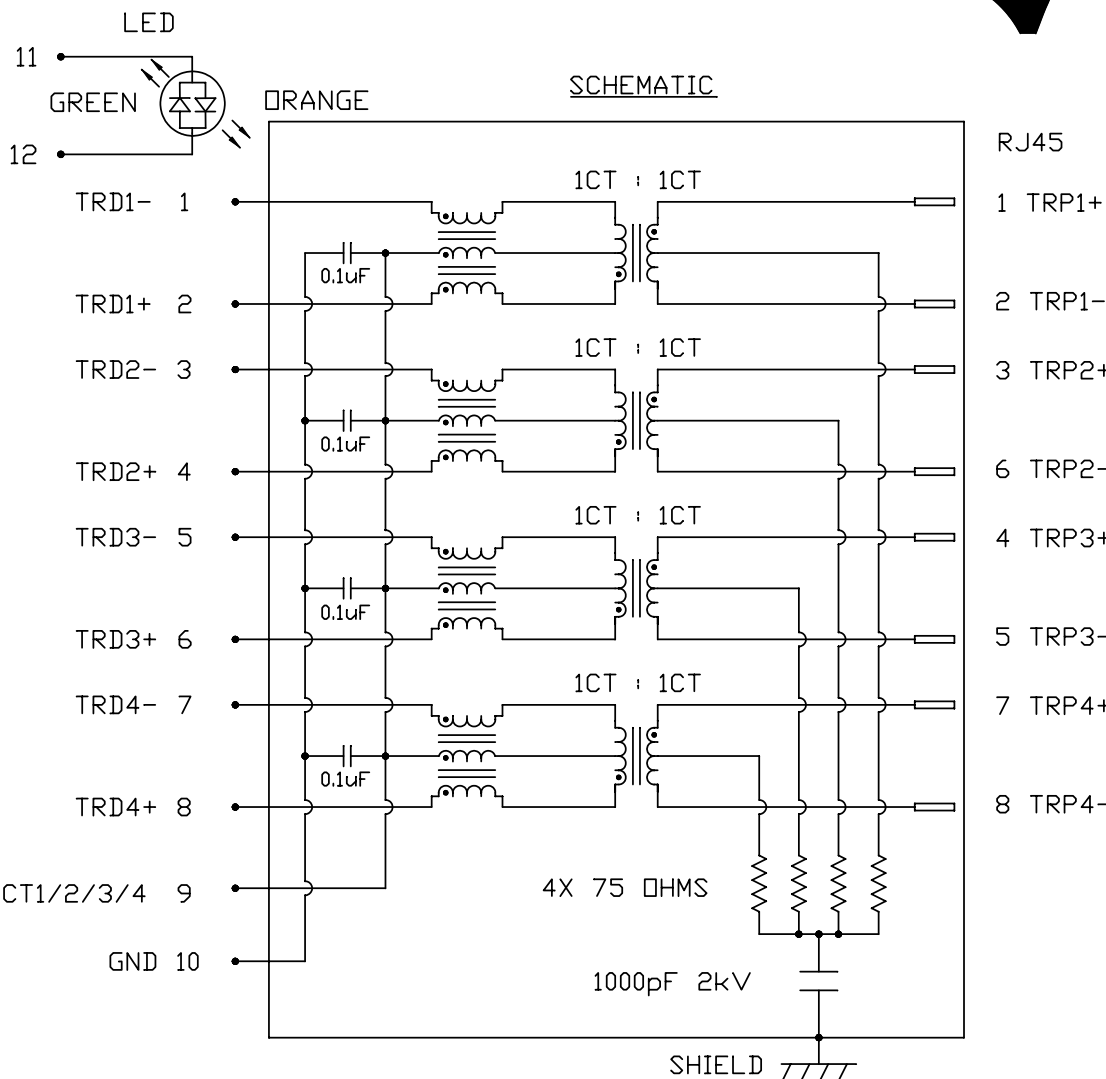
VF (FORWARD VOLTAGE)

IF=20mA GREEN 2.2V TYP.
ORANGE 2.0V TYP.

λD (DOMINANT WAVELENGTH)

IF=20mA GREEN 565nm TYP.
ORANGE 610nm TYP.

OPERATING TEMPERATURE RANGE : -40°C TO 85°C



ORIGINATED BY	DATE	TITLE
CHOW WANGCHUNG	11-03-10	2X4 glgabit MagJack® (8 Cores, with LED) Extended temperature 0863-2X4R-AY-F PATENTED
DRAWN BY	DATE	
LEE WEIDE	11-03-10	

PART NO. / DRAWING NO.	STANDARD DIM. TOL. IN INCH	[] METRIC DIM. AS REFERENCE
08632X4RAY-F	.X .XX .XXX	UNIT : INCH [mm] SCALE : N/A REV. : A SIZE : A4 PAGE : 2

FILE NAME
08632X4RAY-F_A.DWG

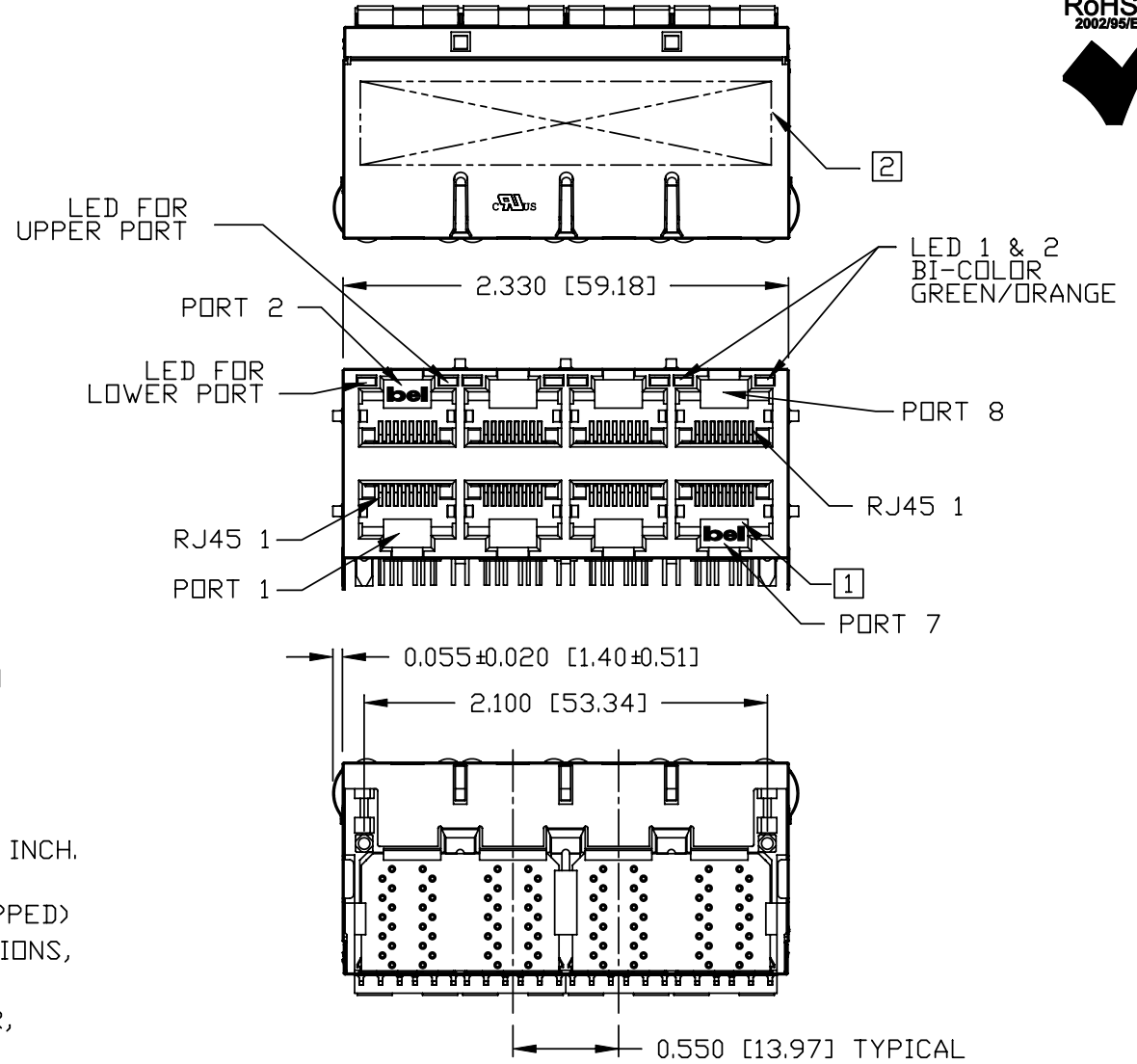
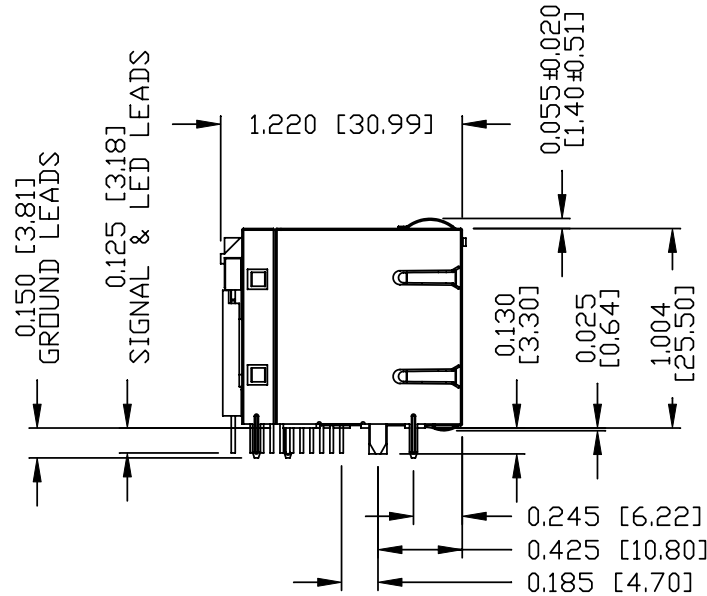
STANDARD DIM. TOL. IN INCH
.X .XX .XXX

[] METRIC DIM. AS REFERENCE
UNIT : INCH [mm] SCALE : N/A REV. : A SIZE : A4 PAGE : 2



THE INFORMATION CONTAINED HEREIN IS CONSIDERED "PROPRIETARY" TO BEL FUSE INC. AND SHALL NOT BE COPIED, REPRODUCED OR DISCLOSED WITHOUT THE WRITTEN APPROVAL OF BEL FUSE INC.

RoHS
2002/95/EC



NOTES:

PLASTIC HOUSING: THERMOPLASTIC PBT
FLAMMABILITY RATING UL 94V-0
CONTACT PLATING: 50 MICRO-INCH HARD GOLD PLATING
OUTPUT PINS: TIN-COATED COPPER WIRE, DIA 0.018 INCH.
METAL SHIELD: NICKEL PLATED ON COPPER ALLOY.
(ALL GROUND LEADS ARE SOLDER DIPPED)

- [1] JACK CAVITY CONFORMS TO FCC RULES AND REGULATIONS, PART 68 SUBPART F.
- [2] MARK PART WITH MFG LOGO MFG, NAME, PART NUMBER, DATE CODE AND PATENTED

c UL RECOGNIZED - FILE #E196366 AND E169987.

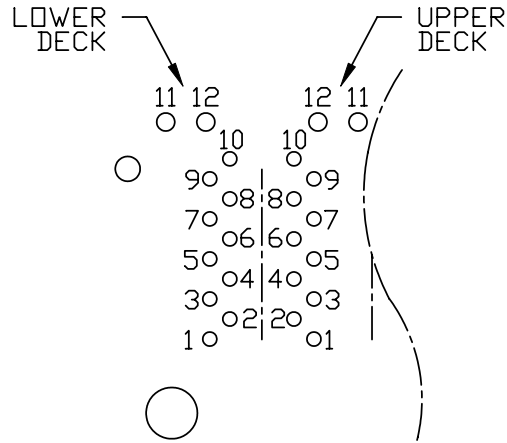
3. RoHS COMPLIANCE, PER EU DIRECTIVE 2002/95/EC.

4. THE PRODUCT IS PATENTED PRODUCT. THE PATENT NUMBER ARE U.S. PAT. 5,736,910 AND U.S. PAT. 6,840,817 AND U.S. PAT. 7,123,117.

ORIGINATED BY CHEN BILL	DATE 11-03-10	TITLE 2X4 gigabit MagJack® (8 Cores, with LED) Extended temperature 0863-2X4R-AY-F PATENTED	PART NO. / DRAWING NO. 08632X4RAY-F		STANDARD DIM. TOL. IN INCH		[] METRIC DIM. AS REFERENCE		
			FILE NAME 08632X4RAY-F_A.DWG		.X .XX .XXX	±0.010	UNIT : INCH [mm] SCALE : N/A	REV. : A SIZE : A4 PAGE : 3	
DRAWN BY HE ZHEN	DATE 11-03-10								

THE INFORMATION CONTAINED HEREIN IS CONSIDERED "PROPRIETARY" TO BEL FUSE INC. AND SHALL NOT BE COPIED, REPRODUCED OR DISCLOSED WITHOUT THE WRITTEN APPROVAL OF BEL FUSE INC.

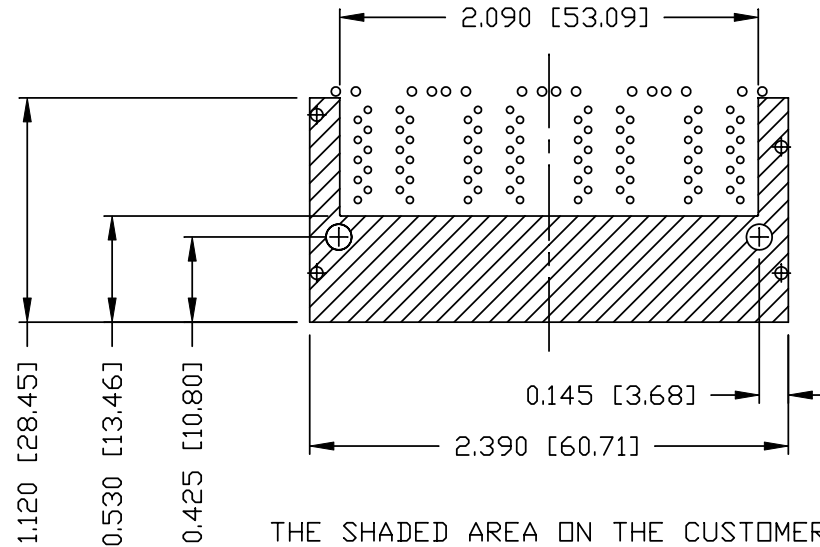
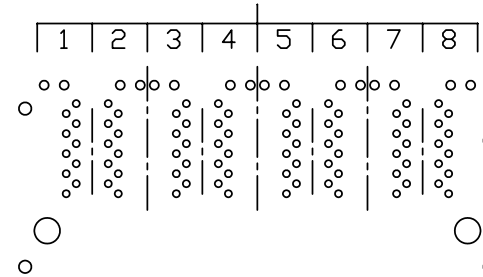
RoHS
2002/95/EC



PIN-OUT INFORMATION
(COMPONENT SIDE VIEW)

12	GRN (+)/DRG (-)
11	GRN (-)/DRG (+)
10	GND
9	TRDCT1/2/3/4
8	TRD 4+
7	TRD 4-
6	TRD 3+
5	TRD 3-
4	TRD 2+
3	TRD 2-
2	TRD 1+
1	TRD 1-

PORT ASSIGNMENT
(COMPONENT SIDE VIEW)



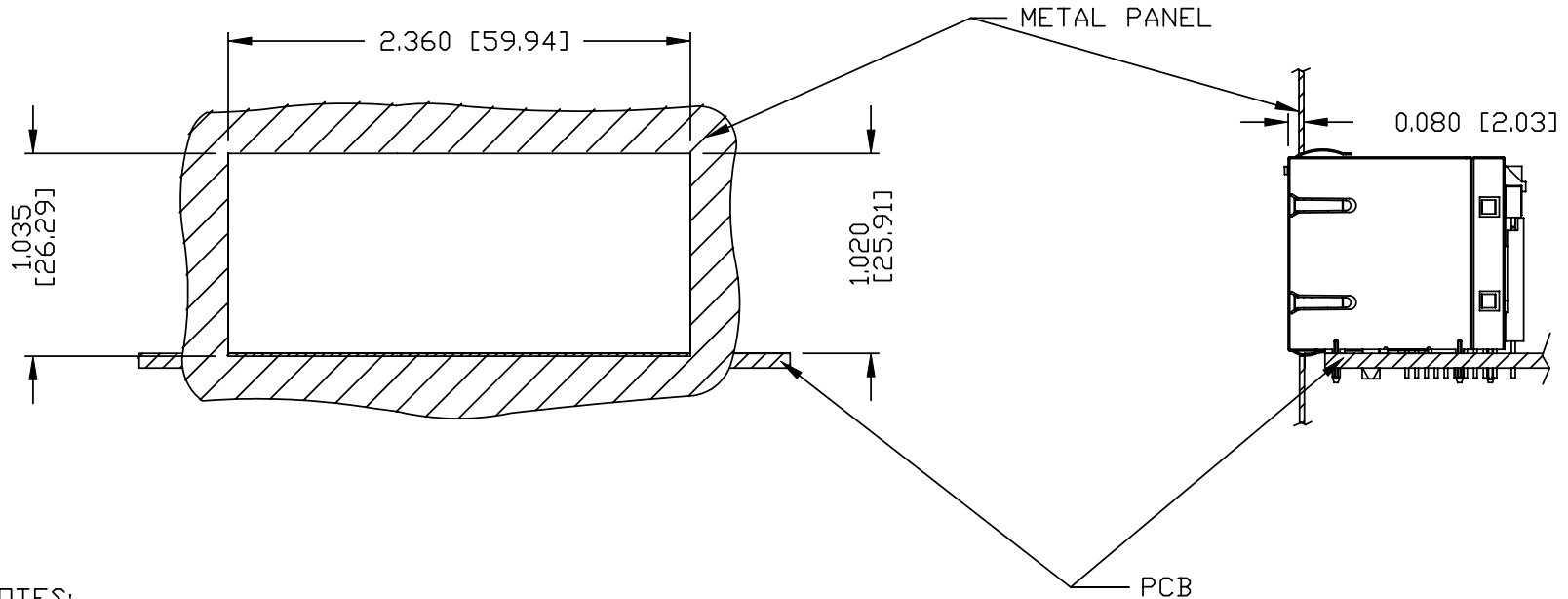
THE SHADED AREA ON THE CUSTOMER BOARD ARE RECOMMENDED TO BE CLEAR OFF ANY VIA HOLE OR COMPONENT PAD.

ORIGINATED BY CHEN BILL	DATE 11-03-10	TITLE 2X4 gigabit MagJack® (8 Cores, with LED) Extended temperature 0863-2X4R-AY-F PATENTED	PART NO. / DRAWING NO. 08632X4RAY-F	STANDARD DIM. TOL. IN INCH .X .XX .XXX	[] METRIC DIM. AS REFERENCE		bel COMPONENTS FOR A CONNECTED PLANET
FILE NAME 08632X4RAY-F_A.DWG	UNIT : INCH [mm]		REV. : A				
DRAWN BY HE ZHEN	DATE 11-03-10	SCALE : N/A	SIZE : A4		±0.004	SCALE : N/A	

THE INFORMATION CONTAINED HEREIN IS CONSIDERED "PROPRIETARY" TO BEL FUSE INC. AND SHALL NOT BE COPIED, REPRODUCED OR DISCLOSED WITHOUT THE WRITTEN APPROVAL OF BEL FUSE INC.



SUGGESTED PANEL OPENING



NOTES:

THE DISTANCE OF PANEL INSIDE SURFACE RELATIVE TO FRONT SURFACE OF PART IS ONLY A SUGGESTION. IN CASE THIS DISTANCE IS DIFFERENT, THE REQUIRED PANEL OPENING DIMENSIONS CHANGE ACCORDINGLY.

PACKING INFORMATION

OR PACKING TRAY : 0200-9999-E7 (TOP)
0200-9999-E8 (BOTTOM)

PACKING QUANTITY : 20 PCS FINISHED GOODS PER TRAY
7 TRAYS (140 PCS FINISHED GOODS) PER CARTON BOX

NOTE : CARDBOARDS ARE PLACED BETWEEN LAYERS OF PACKING TRAY INSIDE CARTON BOX
(INCLUDE THE UPPERMOST AND LOWERMOST TRAY)

ORIGINATED BY CHEN BILL	DATE 11-03-10	TITLE 2X4 gigabit MagJack® (8 Cores, with LED) Extended temperature 0863-2X4R-AY-F PATENTED	PART NO. / DRAWING NO. 08632X4RAY-F		STANDARD DIM. TOL. IN INCH		[] METRIC DIM. AS REFERENCE	
			FILE NAME 08632X4RAY-F_A.DWG		.X		UNIT : INCH [mm]	REV. : A
DRAWN BY HE ZHEN	DATE 11-03-10				.XX		SCALE : N/A	SIZE : A4
					.XXX	±0.004		PAGE : 6

