

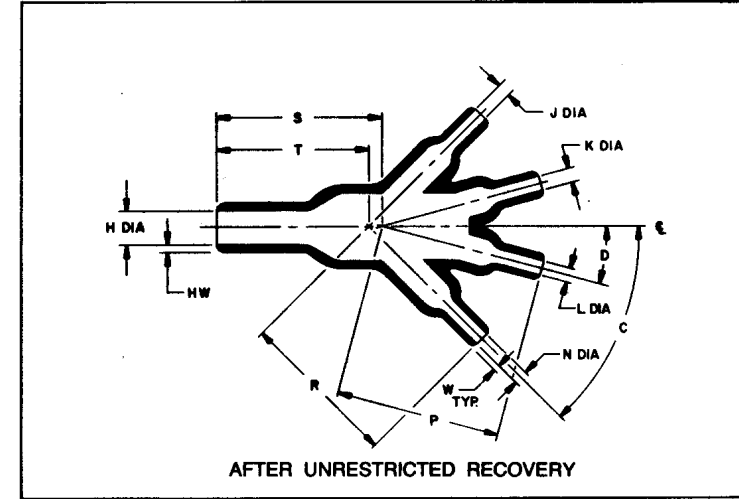
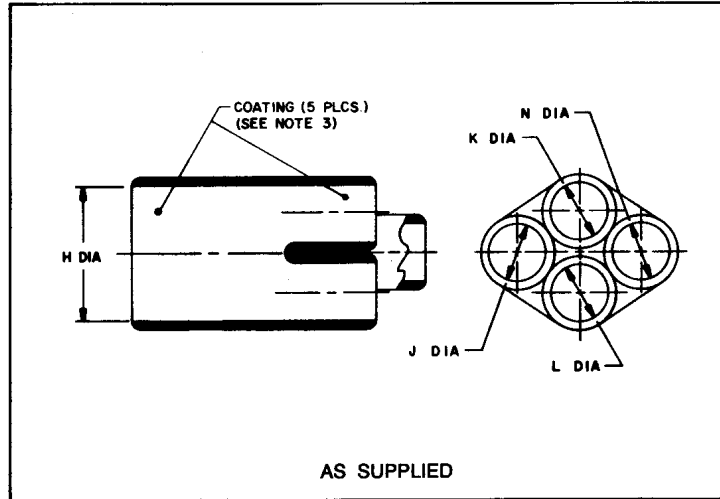
# Thermofit<sup>®</sup> Molded Parts

## Specification Control Drawing

**Part Number:** 562A115  
**Description:** Transition,  
 1 to 4 Cables

**Notes:**

- All dimensions are in  $\frac{\text{Inches}}{\text{[Millimeters]}}$ ;  $\frac{\text{lbs}}{\text{[gms]}}$
- Dimensions appearing in table are as follows:  
 a - as supplied  
 b - after unrestricted recovery
- Coating is optional. As supplied dimensions appearing in table are for uncoated parts. When coating is added, entry diameters will be reduced by .06 max.
- Weight appearing in table of dimensions is based on polyolefin part.



| Table of Dimensions |                |               |               |              |                |                |                |                |              |              |           |          |           |          |                     |
|---------------------|----------------|---------------|---------------|--------------|----------------|----------------|----------------|----------------|--------------|--------------|-----------|----------|-----------|----------|---------------------|
| Part Number         | H              |               | J, K, L, N    |              | P              | R              | S              | T              | HW           | W            | C         |          | D         |          | Weight<br>±10%<br>b |
|                     | Min<br>a       | Max<br>b      | Min<br>a      | Max<br>b     | ±10%<br>b      | ±10%<br>b      | ±10%<br>b      | ±10%<br>b      | ±20%<br>b    | ±20%<br>b    | ±10°<br>a | ±5°<br>b | ±10°<br>a | ±5°<br>b |                     |
| 562A115             | 1.22<br>[31,0] | .57<br>[14,5] | .77<br>[19,6] | .36<br>[9,1] | 2.92<br>[74,2] | 2.63<br>[66,8] | 2.33<br>[59,2] | 1.77<br>[45,0] | .10<br>[2,5] | .06<br>[1,5] | 10        | 45       | 10        | 15       | .024<br>[10,89]     |

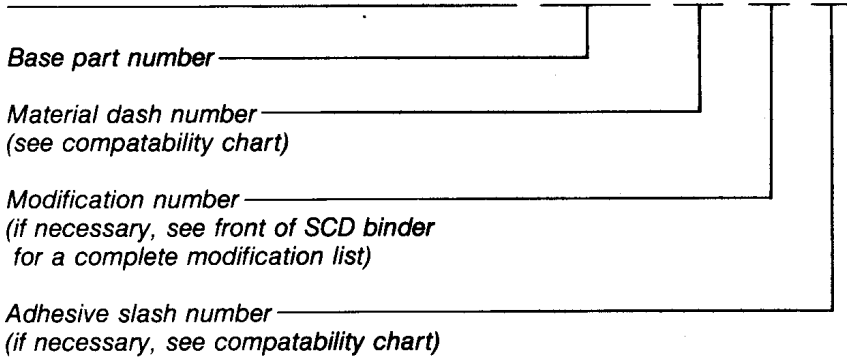
# Thermofit<sup>®</sup> Molded Parts Specification Control Drawing

**Part Number:** 562A115  
**Description:** Transition,  
1 to 4 Cables

| <b>Compatibility Chart</b> |                             |                |                          |                       |                            |
|----------------------------|-----------------------------|----------------|--------------------------|-----------------------|----------------------------|
| <b>Material Dash No.</b>   | <b>Material Description</b> | <b>RT Spec</b> | <b>Coating Slash No.</b> | <b>Coating S. No.</b> | <b>Coating Description</b> |
| -3                         | Polyolefin, Semi-Rigid      | RT-301         |                          |                       |                            |
| -4                         | Polyolefin, Flexible        | RT-1304        |                          |                       |                            |
| -5                         | Neoprene                    | RT-501         |                          |                       |                            |
| -6                         | Silicone                    | RT-602         |                          |                       |                            |
| -25                        | Elastomer, Fluid Resistant  | RT-1325        |                          |                       |                            |
|                            |                             |                |                          |                       |                            |

### Ordering Information:

562A115 — XX — XX / XXX



This drawing is subject to change without notice; consult your nearest field representative for current revision.

**Raychem**  
Raychem Corporation  
300 Constitution Drive  
Menlo Park, California 94025  
415) 361 6055

If this document is printed it becomes uncontrolled.  
Check with the web for latest revision.

Revision: **D**  
Date: **3-13-86**

**Part Number:** 562A115  
**Description:** Transition,  
1 to 4 Cables