

LOC	DIST	REVISIONS					
A	66	P	LTR	DESCRIPTION	DATE	DWN	APVD
			B1	SEE PRODUCT DRAWING	-	-	-


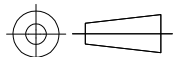
SEE PRODUCTION DRAWING  
680587

THIS DRAWING IS UNPUBLISHED.

RELEASED FOR PUBLICATION  
ALL INTERNATIONAL RIGHTS RESERVED.

BY TYCO ELECTRONICS CORPORATION.

© COPYRIGHT

DIMENSIONS: INCHES	DWN	M.YOUNGER	09NOV2009	MATERIAL	-	FINISH	-
	CHK	-	-	 Tyco Electronics Corporation Harrisburg, PA 17105-3608			
TOLERANCES UNLESS OTHERWISE SPECIFIED:	APVD	-	-				
	PRODUCT SPEC	-	-	END FEED HDM APPLICATOR			
0 PLC ± - 1 PLC ± - 2 PLC ± - 3 PLC ± - 4 PLC ± - ANGLES ± -	APPLICATION SPEC	-	-	SIZE	A4	CAGE CODE	00779
	WEIGHT	-	-	DRAWING NO	C-680587	RESTRICTED TO	-
				CUSTOMER DRAWING		SCALE	1:1
						SHEET	1 OF 1
						REV	B1