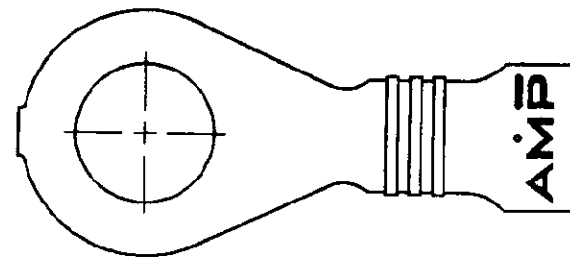
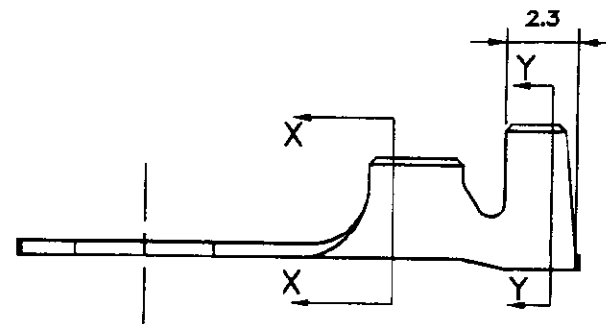
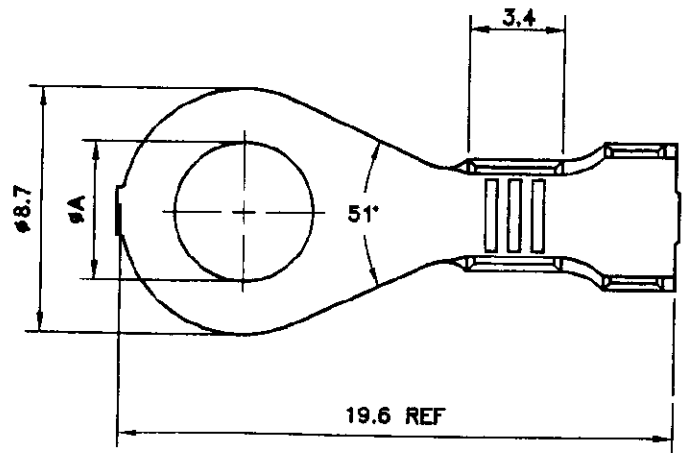
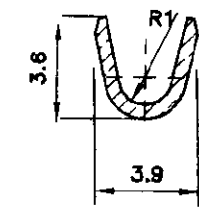


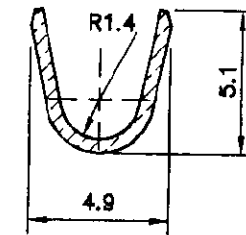
DRAWING MADE IN THIRD ANGLE PROJECTION



1 OBSOLETE PARTS: OBSOLETE CIS STREAMLINING PER D.RENAUD/D.SINISI



SECTION X-X



SECTION Y-Y

	Ø A	REMARKS	FINISH	MATERIAL	PART No
1	Ø6.2	-	-	NICKEL SILVER SIZE 0.4±0.013X11.43±0.050	190225-4
	Ø5.2	-	-	PRE TIN BRASS SIZE 0.5±0.03X11.43±0.050	190225-3
	Ø5	-	-	PRE TIN BRASS SIZE 0.5±0.03X11.43±0.050	190225-2
	Ø5	-	-	PRE TIN BRASS SIZE 0.5±0.03X11.43±0.050	190225-0

WIRE RANGE 0.5-1.3 sq.mm		INSULATION RANGE Ø2.54-3.56 mm		ALL DIMENSIONS ARE IN mm TOLERANCES UNLESS OTHERWISE SPECIFIED ARE AS FOLLO	
				DIM INCLUDING & UP TO 0-6 6-30 30-120 120-315 >315	
				TOLERANCE ± 0.1 0.2 0.3 0.5 0.8 ANGLES ±0° 30°	
		SIZE AS PER TABLE			
		DATE 11/04/94	CHK VK		
		DR RB	APP BL		
		NAME RING TONGUE			LOC CODE U
		SCALE AS 4:1 or SHOWN	SIZE A3	DWG No. C-190225	SHEET 1 OF 1
		REVISION RECORD		APP DATE	REV K1

**CONTROLLED**

THIS INFORMATION IS CONFIDENTIAL AND DISCLOSED TO YOU ON CONDITION THAT NO FURTHER DISCLOSURE IS MADE BY YOU TO OTHER THAN AMP PERSONNEL WITHOUT WRITTEN AUTHORIZATION FROM AUSTRALIAN AMP

ORIGINAL