

LTC4013EUFD

60V Synchronous Buck Multi-Chemistry Battery Charger

DESCRIPTION

Demonstration circuit 2374A is a multi-chemistry battery charger with maximum power point tracking (MPPT) featuring the **LTC®4013**. The LTC4013 has 2 stage CC/CV charge cycles, 3 stage and 4 stage lead acid and Li-Ion battery algorithms.

The DC2374A is set up to operate from a 21.5V to 35V supply or from a solar panel and charges a six cell lead acid battery at 5A. There are optional input and output capacitors plus large inductor pads and parallel top and bottom FET pads to allow high power charging.

The LTC4013 is a 60V controller which makes it suitable for large battery stacks with up to a 60V supply or solar panel input. An MPPT burst mode feature allows the device to efficiently charge in low light levels. Since the LTC4013 is a controller, the power train can be sized from 1A to

over 10A of charge current. The LTC4013 also has an NTC temperature compensated float voltage to help increase the battery life.

The operating frequency, charge voltage, low battery (LB) voltage setting and timing are configurable with external resistors and a capacitor. The different charging algorithms are set by two tri-state mode pins and the TIMER pin as shown in Table 1.

Refer to the LTC4013 data sheet for more details on the electrical and timing specifications.

Design files for this circuit board are available at <http://www.linear.com/demo/DC2374A>

LT, LT, LTC, LTM, Linear Technology and the Linear logo are registered trademarks of Linear Technology Corporation. All other trademarks are the property of their respective owners.

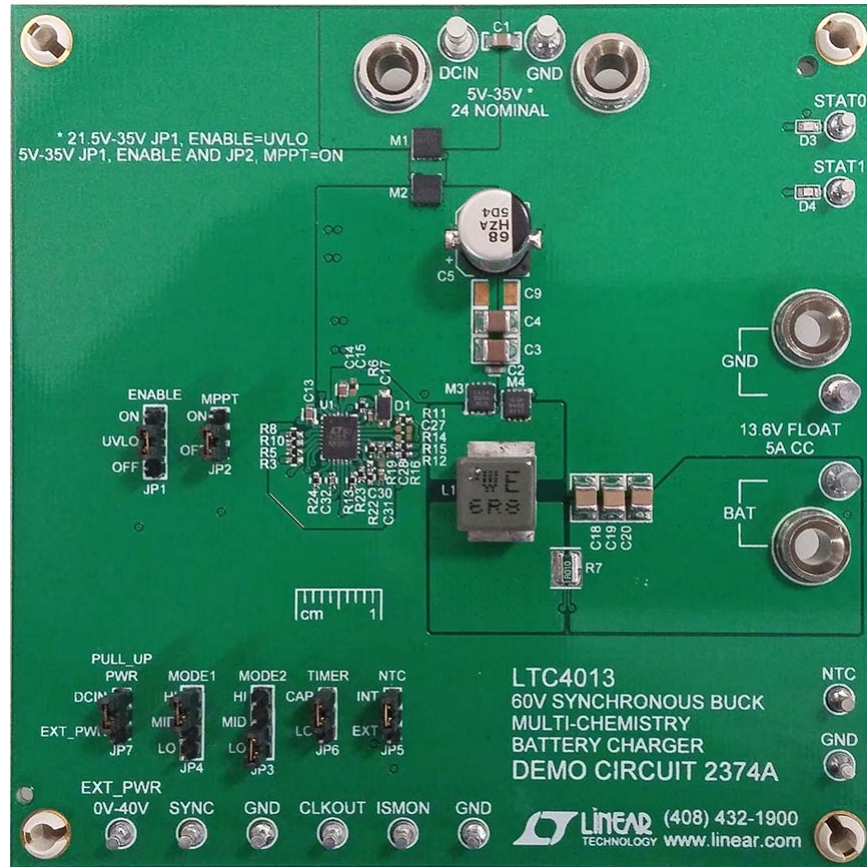
PERFORMANCE SUMMARY

Specifications are at $T_A = 25^\circ\text{C}$

PARAMETER	CONDITIONS	MIN	TYP	MAX	UNITS
Input Supply Range	ENABLE (JP1) = UVLO	21.5	24	35	V
	ENABLE (JP1) = ON, MPPT (JP2) = ON	5		35	V
Battery Float Voltage (V_{FLOAT})	MODE1 (JP4) = HI, MODE2 (JP3) = LO		13.6		V
	MODE1 (JP4) = MID, MODE2 (JP3) = LO		13.2		V
	MODE1 (JP4) = HI, MODE2 (JP3) = MID		14.2		V
	MODE1 (JP4) = MID, MODE2 (JP3) = MID		14.4		V
Battery Absorption Voltage (V_{ABS})	MODE1 (JP4) = HI, MODE2 (JP3) = LO		14.2		V
	MODE1 (JP4) = MID, MODE2 (JP3) = LO		14.4		V
Battery Equalization Voltage (V_{EQ})	MODE1 (JP4) = HI, MODE2 (JP3) = HI, TIMER (JP6) = CAP		16		V
	MODE1 (JP4) = MID, MODE2 (JP3) = HI, TIMER (JP6) = CAP		15.6		V
Recharge Voltage (V_{RECHRG})	MODE1 (JP4) = HI, MODE2 (JP3) = MID		13.77		V
	MODE1 (JP4) = MID, MODE2 (JP3) = MID		13.77		V
Low Battery (V_{LB})			10.4		V
MPPT Maximum Power Voltage (V_{PM}) to Open Circuit Voltage (V_{OC}) Ratio	MPPT (JP2) = ON		83.3		%
FBOC to DCIN Attenuation Ratio	MPPT (JP2) = ON		6.9		%

DEMO MANUAL DC2374A

BOARD PHOTO



CHARGING OPTIONS

Table 1. LTC4013 Charging Algorithm Selection

MODE1	MODE2	TIMER	Charging Mode	V _{FLOAT} (V)	V _{ABS} (V)	V _{EQ} (V)	Recharge	TERMINATION	EQ Timeout
L	L	0V	2 Stage	13.6	-	-	-	None	None
L	L	CAP	2 Stage	13.6	-	-	-	3.33hrs	None
L	M	0V	2 Stage	14	-	-	-	None	None
L	M	CAP	2 Stage	14	-	-	-	3.33hrs	None
L	H	0V	N/A, Do Not Use	-	-	-	-	-	-
L	H	CAP	4 Stage	13.6	14.2	15	-	3.33hrs	50min
M	L	0V	3 Stage	13.2	14.4	-	-	C/10 (~14.1V)	None
M	L	CAP	3 Stage	13.2	14.4	-	-	3.33hrs	None
M	M	0V	Li-Ion	14.4	-	-	95.8% (13.77V)	C/10 (~14.3V)	None
M	M	CAP	Li-Ion	14.4	-	-	95.8% (13.77V)	3.33hrs	None
M	H	0V	N/A, Do Not Use	-	-	-	-	-	-
M	H	CAP	4 Stage	13.2	14.4	15.6	-	3.33hrs	25min
H	L	0V	3 Stage	13.6	14.2	-	-	C/10 (~14.1V)	None
H	L	CAP	3 Stage	13.6	14.2	-	-	3.33hrs	None
H	M	0V	Li-Ion	14.2	-	-	97.1 (13.77V)	C/10 (~14.1V)	None
H	M	CAP	Li-Ion	14.2	-	-	97.1 (13.77V)	3.33hrs	None
H	H	0V	N/A, Do Not Use	-	-	-	-	-	-
H	H	CAP	4 Stage	13.6	14.2	15	-	3.33hrs	25min

24V SUPPLY QUICK START PROCEDURE

The DC2374A is easy to set up to evaluate the performance of the LTC4013. Refer to Figure 1 and Figure 2 for proper measurement equipment setup.

NOTE: When measuring the input or output voltage ripple, care must be taken to avoid a long ground lead on the oscilloscope probe. Measure the input or output voltage ripple by touching the probe tip directly across the V_{IN} or V_{OUT} and GND terminals. See Figure 2 for proper scope probe technique.

1. Set the DC2374A to operate in a three stage lead acid battery charging mode by positioning the jumpers as listed below:

- JP1** ENABLE - UVLO
- JP2** MPPT - OFF
- JP3** MODE2 – LO

- JP4** MODE1 – HI
- JP5** NTC – INT
- JP6** TIMER – CAP
- JP7** PULL_UP PWR - DCIN

2. With power off, connect a 0V to 16V, 6A power supply (PS2) to BAT and GND terminals with a series ammeter and a voltmeter as shown in Figure 1.
3. With power off, connect a 5.1A load (LOAD1) to BAT and GND terminals in parallel with PS2 as shown in Figure 1.
4. Set PS2 to 10V and turn on PS2 and LOAD1.
5. With power off, connect a 0V to 35V, 5A power supply (PS1) to DCIN and GND terminals with a series ammeter and a voltmeter as shown in Figure 1.

dc2374afa

24V SUPPLY QUICK START PROCEDURE

6. Set PS1 to 20V and then turn on.
7. Slowly increase PS1 until the STAT0 LED illuminates. DCIN is now above the UVLO rising threshold.

NOTE: PS1 can be increased from this voltage up to 35V. Make sure that the input voltage does not exceed 40V.

8. Observe that the battery charger current is only about 1A, 20%, and the voltage on the ISMON terminal measures about 0.2VDC. This is because the battery voltage is below the LB threshold. If the battery voltage remains below low bat for 25 minutes then the charge cycle is terminated.
9. Slowly increase PS2 until the battery current jumps up to about 5A, full load. ISMON reads close to 1V. The battery voltage is now above the low battery threshold.
10. Slowly increase PS2 until the battery current decreases to 4.5A. If the STAT0 LED is on and the STAT1 LED is off then the battery voltage is now approaching the absorption voltage and the charge timer has started. The battery will charge for about 3.3hrs before switching to float mode.
11. When the LTC4013 switches to float mode, the charge current will drop to 0A until the battery voltage is decreased below 13.6V.

To observe equalization mode, follow steps 12 thru 18. Otherwise skip to step 19.

NOTE: Equalization mode will not enable more than one time during a power on event. If an equalization cycle has already completed, power will need to be cycled in order to run a second equalization cycle.

12. Make sure PS1 is set above UVLO rising threshold and set PS2 to about 12V.
13. Make sure JP6, the TIMER jumper, is still in the CAP position. Set JP3, the MODE2 jumper, to the HI position. The STAT0 LED should be on and the STAT1 LED should be off. If not, power PS1 down, set JP3 to LO, turn PS1 back on, then set JP3 back to HI.
14. Increase PS2 until the battery voltage approaches the absorption voltage as done in step 10.
15. Continue increasing PS2 until the battery current drops below 500mA.
16. In about 3.33 hours the charge current will increase to about 1A. This is equalization mode.
17. Increase PS2 until the battery current starts to decrease. The battery voltage is approaching the equalization voltage.
18. After about 25 minutes in equalization mode the charge current will return to about 0A until the battery voltage is reduced below the float voltage of about 13.6V.
19. When done, turn off and disconnect all loads and power supplies.

NOTE: To evaluate the MPPT function, see the MPPT Quick Start Procedure section.

24V SUPPLY QUICK START PROCEDURE

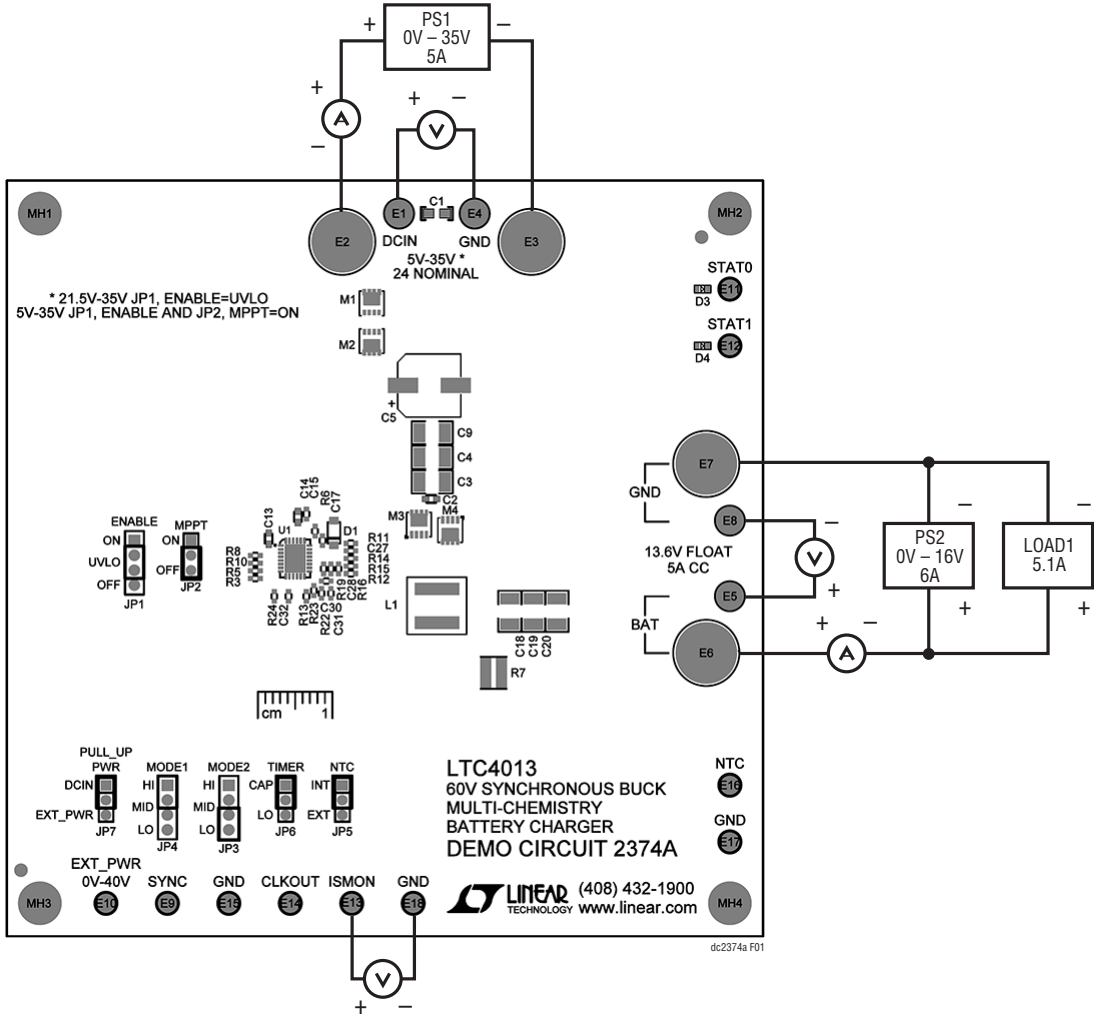


Figure 1. Proper Measurement Equipment Setup

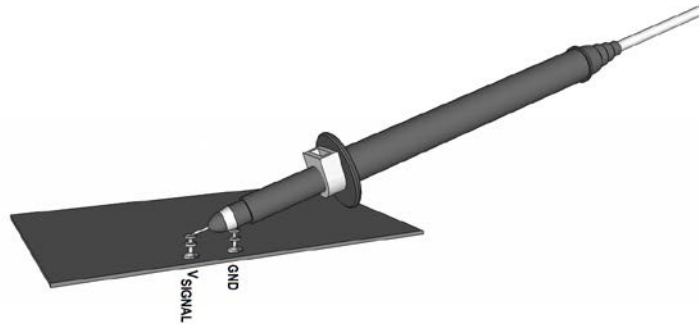


Figure 2. Measuring Input or Output Ripple

MPPT QUICK START PROCEDURE

The LTC4013 has a maximum power point tracking feature that regulates the input voltage to the maximum power voltage (V_{PM}) by adjusting the output of the charger. The LTC4013 MPPT function periodically stops charging, measures the open circuit voltage (V_{OC}), and then continues charging while regulating the input voltage. As the sunlight changes, the V_{OC} and V_{PM} also change. This board is setup to regulate a V_{PM} voltage of 83% of the measured V_{OC} . This ratio can be changed to match the solar panel by changing R2, R8, and R10. To change the V_{OC}/V_{PM} ratio, follow the procedure listed in the Maximum Power Point Tracking section in the LTC4013 data sheet.

There are a number of ways to test the MPPT function of the LTC4013. The most accurate way is to use a solar panel in sunlight, however it is difficult to control the sunlight conditions. Another method is to use a covered solar panel (dark panel) biased thru a controlled current source from 0A to the short circuit current (I_{SC}) of the panel as shown in Figure 3. The solar panel can be replaced with a string of silicon rectifier diodes that can handle the power dissipation of $V_f \cdot I_{SC}$. With these methods, increasing the current on the panel to I_{SC} produces the maximum V_{OC} for a full light condition. Reducing this current simulates lower light conditions.

A more simple method is to supply a voltage to DCIN with a series input resistor (R_{IN}) as shown in Figure 4. R_{IN} is calculated by $(V_{OC} - V_{PM})/I_{MP}$ where I_{MP} is the maximum power current. The supply current limit is set to I_{SC} and the voltage of the supply is set to the desired V_{OC} representing the desired sunlight. Set the power supply to the maximum V_{OC} to produce a full light condition. Reducing the supply voltage simulates lower light conditions.

To evaluate the LTC4013 MPPT function follow the procedure below:

1. Set the DC2374A to operate in MPPT mode with a three stage lead acid battery charging mode by positioning the jumpers as listed below:

JP1	ENABLE - ON
JP2	MPPT - ON
JP3	MODE2 - LO
JP4	MODE1 - HI

JP5	NTC - INT
JP6	TIMER - CAP
JP7	PULL_UP PWR - DCIN

2. With power off, connect a 0V to 16V, 6A power supply (PS2) to BAT and GND terminals with a series ammeter and a voltmeter as shown in Figure 1.
3. With power off, connect a 5.1A load (LOAD1) to BAT and GND terminals in parallel with PS2 as shown in Figure 1.
4. Set PS2 to 10V and turn on PS2 and LOAD1.
5. With power off, connect a solar panel or solar panel simulator as previously discussed and refer to Figure 3 and Figure 4 as needed.
6. With a full or close to full light condition, observe that the battery charger current is only about 1A, 20%, and the voltage on the ISMON terminal measures about 0.2VDC. DCIN is also above the V_{PM} point at this time. This is because the battery voltage is below the Low Battery threshold. If the battery voltage remains below low bat for 25 minutes then the charger cycle is terminated. The solar panel can supply more power to the charger than needed at this point.
7. Slowly increase PS2 until the battery current jumps up to above 1A. The battery voltage is now above the low battery threshold. If the I_{MP} is less than the input current needed to provide full charge current, the LTC4013 will regulate the charge current below full load to obtain a DCIN voltage near the V_{PM} point for the measured V_{OC} .
8. If possible, vary the light conditions for the solar panel or simulator and observe the charge current is adjusted to maintain the VMP for the measured V_{OC} .

NOTE: If the charge current is reduced below $C/10$, ~ 500mA, and the battery voltage is over the low battery threshold, then the TEOC timer will start even if the battery voltage is not approaching the absorption voltage.

9. If possible, return the light source to near full light condition.

MPPT QUICK START PROCEDURE

10. Slowly increase PS2 until the battery current starts to decrease below 1A. The battery voltage is now approaching the absorption voltage. The timer will start if not already started from a low light condition.
11. When the timer has elapsed, the LTC4013 will switch to float mode and the charge current will drop to near 0A until the battery voltage is reduced below the float voltage.
12. When done, turn off and disconnect all loads and power supplies.

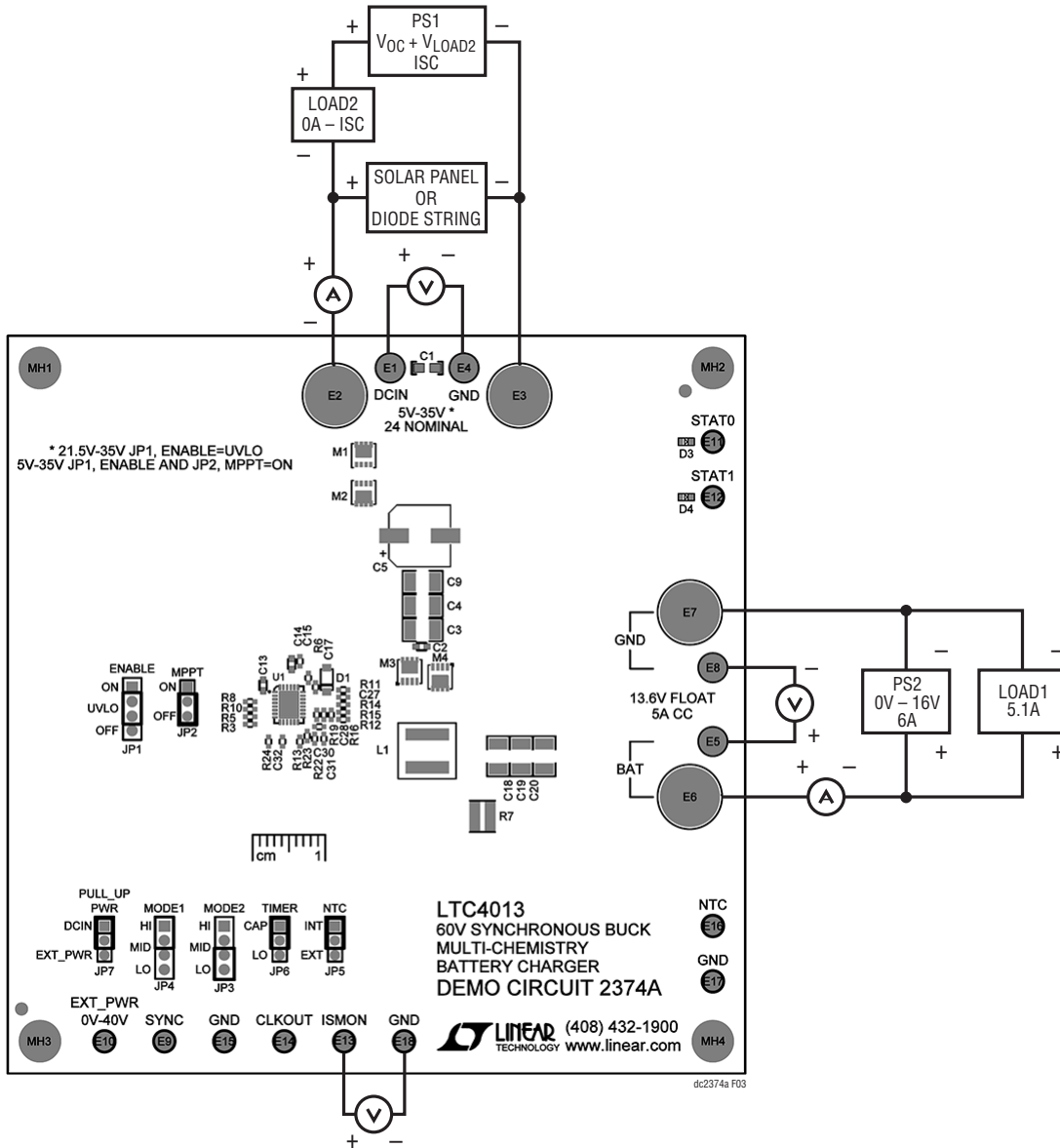


Figure 3. Solar Panel Simulator Using a Dark Solar Panel or Diode String

MPPT QUICK START PROCEDURE

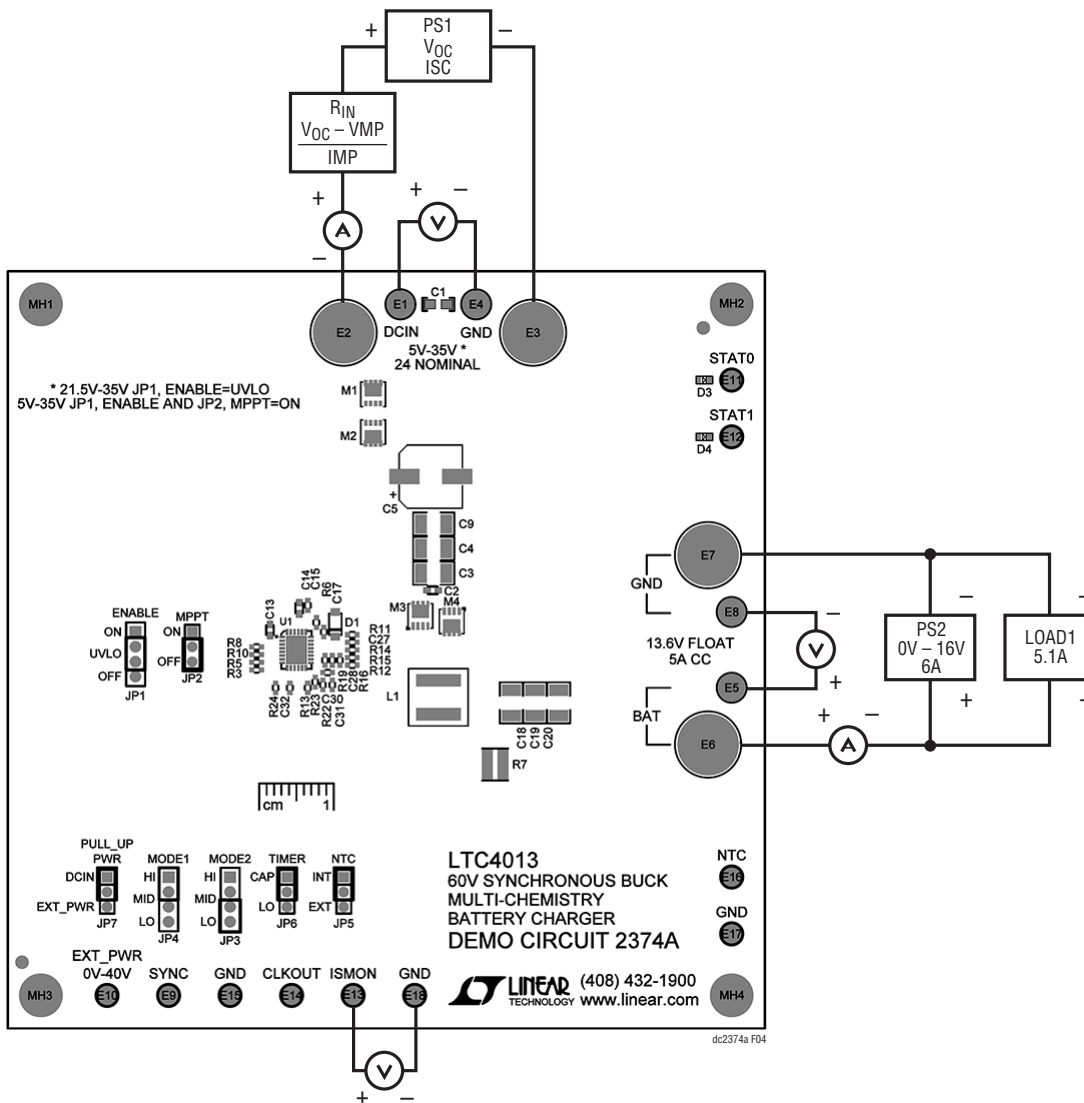


Figure 4. Solar Simulator Using a Power Supply with Series Resistor

APPLICATION INFORMATION

Changing Board Configuration

This board is optimized for a 24V to 14V lead acid battery with 5A charge current, however it can be modified for other charging topologies, different charge currents, plus different DCIN and battery voltages. The DC2374A can also accommodate higher power outputs. There are optional capacitors, inductor, FETs, and a catch diode on the bottom of the board that can be used for larger components if needed. The layout was designed with ample copper and vias to provide enough thermal relief for 300W. Refer to the data sheet for the sizing of all of the required components and changes as needed.

No Battery Operation

The LTC4013 will operate without a battery, however there needs to be at least 2V on the SENSE pin to startup. This can be a problem for batteries with a pack protect that opens when the battery is too low. One way to get around this is to add a series diode and resistor from INTV_{CC} to

the BAT pin to provide a weak pullup on the SENSE pin when no battery is present. V_{FLOAT} must be greater than INTV_{CC} for this method. Refer to the Starting Without a Battery section of the LTC4013 data sheet for more information on this.

Connecting a High Voltage Battery

When connecting a battery to the DC2374A demo board, the battery will instantaneously charge the bulk capacitors on the BAT and the V_{IN} nodes. Since the battery and capacitors have very low ESR, the instantaneous current can be 10's or 100's of amps when the battery is first connected and can damage the components in its path. It is recommended to pre-charge the BAT terminals of the DC2374A prior to connecting a low ESR battery. This can be done by connecting the battery thru a current limiting resistor first, then short across the resistor. Refer to the Plugging in a Battery section of the LTC4013 data sheet for more information.

PARTS LIST

ITEM	QTY	REFERENCE	PART DESCRIPTION	MANUFACTURER/PART NUMBER
Required Circuit Components				
1	1	C1	CAP, CHIP, X5R, 4.7 μ F, \pm 10%, 50V, 0805	TDK, C2012X5R1H475K
2	2	C2, C13	CAP, CHIP, X7R, 0.1 μ F, \pm 10%, 50V, 0603	MURATA GRM188R71H104KA93D
3	2	C3, C4	CAP, CHIP, X5R, 10 μ F, \pm 10%, 50V, 1210	MURATA, GRM32ER61H106KA12
4	1	C5	CAP, 68 μ F, 50V, Alum. Electro, 20%, 8mm \times 10.2mm	PANASONIC, EEHZA1H680P
5	1	C14	CAP, CHIP, X5R, 4.7 μ F, \pm 10%, 6.3V, 0603	TDK, C1608X5R0J475K
6	1	C17	CAP, CHIP, X5R, 0.15 μ F, \pm 10%, 10V, 0402	MURATA, GRM155R61A154KE19J
7	3	C18-C20	CAP, CHIP, X5R, 22 μ F, \pm 10%, 25V, 1210	AVX, 12103D226KAT1A
8	1	C21	CAP, CHIP, X5R, 0.1 μ F, \pm 10%, 25V, 0402	TDK, C1005X5R1E104K050BC
9	1	C24	CAP, 220 μ F, 25V, Alum. Electro, 20%, 8mm \times 10.2mm	PANASONIC, EEHZC1E221P
10	2	C28, C31	CAP, CHIP, X7R, 4.7nF, \pm 10%, 25V, 0402	MURATA GRM155R71E472KA01D
11	1	C32	CAP, CHIP, X5R, 0.22 μ F, \pm 10%, 25V, 0402	MURATA GRM155R61E224KE01D
12	1	D1	DIODE SWITCH, 40V, 500mA, SOD-123	DIODES INC, B0540W-7-F
13	1	L1	IND, SMT, 6.8 μ H, \pm 20%	WURTH, 74439358068
14	2	M1, M2	MOSFET, N-CH 40V, 22A, 3.3 \times 3.3 MLP	INFINEON, BSZ025N04LS
15	2	M3, M4	MOSFET, N-CH 40V, 35A, POWERPACK 1212-8	VISHAY SILICONIX, SiS434DN
16	2	R2, R3	RES, CHIP, 665k Ω , \pm 1%, 0.1W, 0402	VISHAY, CRCW0402665KFKED
17	1	R5	RES, CHIP, 40.2K Ω , \pm 1%, 0.1W, 0402	VISHAY, CRCW040240K2FKED
18	1	R7	RES, CHIP, 10m Ω , \pm 1%, 1W, 1632 LONG SIDE TERM	SUSUMU, PRL1632-R010-F-T1
19	1	R8	RES, CHIP, 10K Ω , \pm 1%, 1/16W, 0402	VISHAY, CRCW040210K0FKED
20	1	R10	RES, CHIP, 49.9K Ω , \pm 1%, 1/16W, 0402	VISHAY, CRCW040249K9FKED
21	1	R16	RES, CHIP, 499K Ω , \pm 1%, 1/16W, 0402	VISHAY, CRCW0402499KFKED
22	2	R17, R18	RES, CHIP, 7.5K Ω , \pm 5%, 1/4W, 1206	VISHAY, CRCW12067K50JNED
23	3	R19, R21, R25	RES, CHIP, 100K Ω , \pm 1%, 1/16W, 0402	VISHAY, CRCW0402100KFKED
24	1	R22	RES, CHIP, 23.2k Ω , \pm 1%, 1/16W, 0402	VISHAY, CRCW040223K2FKED
25	2	R23, R24	RES, CHIP, 86.6K Ω , \pm 1%, 1/16W, 0402	VISHAY, CRCW040286K6FKED
26	1	U1	60V SYNC. BUCK MULTI-CHEMISTRY BATTERY CHARGER	LINEAR TECH., LTC4013EUFD#PBF

DEMO MANUAL DC2374A

PARTS LIST

ITEM	QTY	REFERENCE	PART DESCRIPTION	MANUFACTURER/PART NUMBER
Additional Demo Board Circuit Components				
27	0	C6-C9, C22, C23 (OPT)	CAP, CHIP, 1210	
28	0	C10-C12 (OPT)	CAP, 10mm × 10.2mm	
29	0	C15, C27, C30, C33 (OPT)	CAP, CHIP, 0402	
30	1	C16	CAP, CHIP, COG, 33pF, ±5%, 50V, 0603	MURATA, GRM1885C2A330JA01
31	0	C25 (OPT)	CAP, 8mm × 10.2mm	
32	1	C26	CAP, CHIP, COG, 100pF, ±5%, 50V, 0402	WURTH ELEK, 885012005061
33	1	C29	CAP, CHIP, COG, 220pF, ±5%, 50V, 0402	WURTH ELEK, 885012005063
34	0	D2 (OPT)	DIODE, SCHOTTKY, POWERDI 123	
35	1	D3	DIODE, GREEN, 0603	LITE-ON, LTST-C190KGKT
36	1	D4	DIODE, LED, RED, 0603	LUMEX, SML-LX0603SRW-TR
37	0	L2 (OPT)	IND, SMT, WE-HCI 1365	WURTH, WE-HCI 1365
38	0	M5, M6 (OPT)	MOSFET, N-CH, POWERPACK 1212-8	
39	2	R1, R12	RES, CHIP, 20Ω, ±1%, 1/16W, 0402	VISHAY, CRCW040220R0FKED
40	5	R4, R6, R9, R11, R15	RES, CHIP, 0Ω JUMPER, 1/16W, 0402	VISHAY, CRCW04020000Z0ED
41	3	R13, R20, R26	RES, CHIP, 100KΩ, ±5%, 1/16W, 0402	VISHAY, CRCW0402100KJNED
42	0	R14 (OPT)	RES, CHIP, 0402	
Hardware: For Demo Board Only				
43	4	E1, E4, E5, E8	TURRET, 0.09 DIA	MILL-MAX, 2501-2-00-80-00-00-07-0
44	4	E2, E3, E6, E7	BANANA JACK, NON-INSULATED	KEYSTONE, 575-4
45	10	E9 - E18	TURRET, 0.061 DIA	MILL-MAX, 2308-2-00-80-00-00-07-0
46	3	JP1, JP3, JP4	HEADER, 4PINS, 2mm	WURTH, 62000411121
47	4	JP2, JP5-JP7	HEADER, 3PINS, 2mm	WURTH, 62000311121
48	7	JP1-JP7 (SHUNT)	SHUNT 2mm 1 × 3	WURTH, 60800213421
49	4	MH1-MH4	STANDOFF, NYLON 0.5"	KEYSTONE, 8833 (SNAP ON)
50	1		FAB, PRINTED CIRCUIT BOARD	DEMO CIRCUIT 2374A-3

DEMO MANUAL DC2374A

DEMONSTRATION BOARD IMPORTANT NOTICE

Linear Technology Corporation (LTC) provides the enclosed product(s) under the following **AS IS** conditions:

This demonstration board (DEMO BOARD) kit being sold or provided by Linear Technology is intended for use for **ENGINEERING DEVELOPMENT OR EVALUATION PURPOSES ONLY** and is not provided by LTC for commercial use. As such, the DEMO BOARD herein may not be complete in terms of required design-, marketing-, and/or manufacturing-related protective considerations, including but not limited to product safety measures typically found in finished commercial goods. As a prototype, this product does not fall within the scope of the European Union directive on electromagnetic compatibility and therefore may or may not meet the technical requirements of the directive, or other regulations.

If this evaluation kit does not meet the specifications recited in the DEMO BOARD manual the kit may be returned within 30 days from the date of delivery for a full refund. **THE FOREGOING WARRANTY IS THE EXCLUSIVE WARRANTY MADE BY THE SELLER TO BUYER AND IS IN LIEU OF ALL OTHER WARRANTIES, EXPRESSED, IMPLIED, OR STATUTORY, INCLUDING ANY WARRANTY OF MERCHANTABILITY OR FITNESS FOR ANY PARTICULAR PURPOSE. EXCEPT TO THE EXTENT OF THIS INDEMNITY, NEITHER PARTY SHALL BE LIABLE TO THE OTHER FOR ANY INDIRECT, SPECIAL, INCIDENTAL, OR CONSEQUENTIAL DAMAGES.**

The user assumes all responsibility and liability for proper and safe handling of the goods. Further, the user releases LTC from all claims arising from the handling or use of the goods. Due to the open construction of the product, it is the user's responsibility to take any and all appropriate precautions with regard to electrostatic discharge. Also be aware that the products herein may not be regulatory compliant or agency certified (FCC, UL, CE, etc.).

No License is granted under any patent right or other intellectual property whatsoever. **LTC assumes no liability for applications assistance, customer product design, software performance, or infringement of patents or any other intellectual property rights of any kind.**

LTC currently services a variety of customers for products around the world, and therefore this transaction **is not exclusive**.

Please read the DEMO BOARD manual prior to handling the product. Persons handling this product must have electronics training and observe good laboratory practice standards. **Common sense is encouraged.**

This notice contains important safety information about temperatures and voltages. For further safety concerns, please contact a LTC application engineer.

Mailing Address:

Linear Technology
1630 McCarthy Blvd.
Milpitas, CA 95035

Copyright © 2004, Linear Technology Corporation