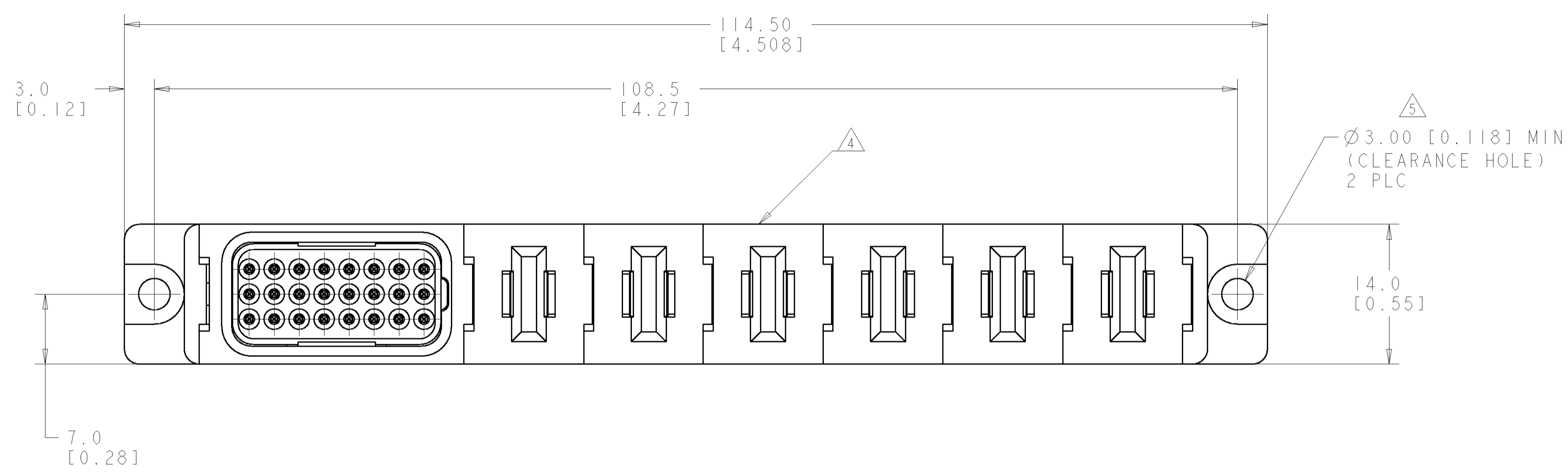


LOC	DIST	REVISIONS					
GP	00	P	LTR	DESCRIPTION	DATE	DWN	APVD
		A		RELEASED	15AUG2006	RG	PD



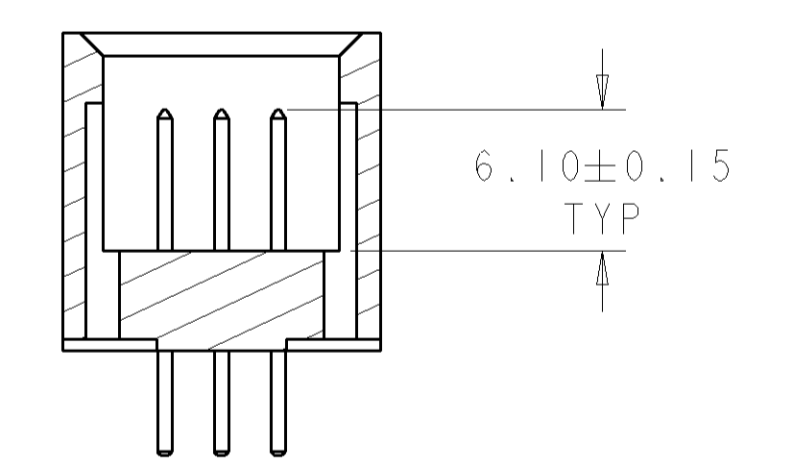
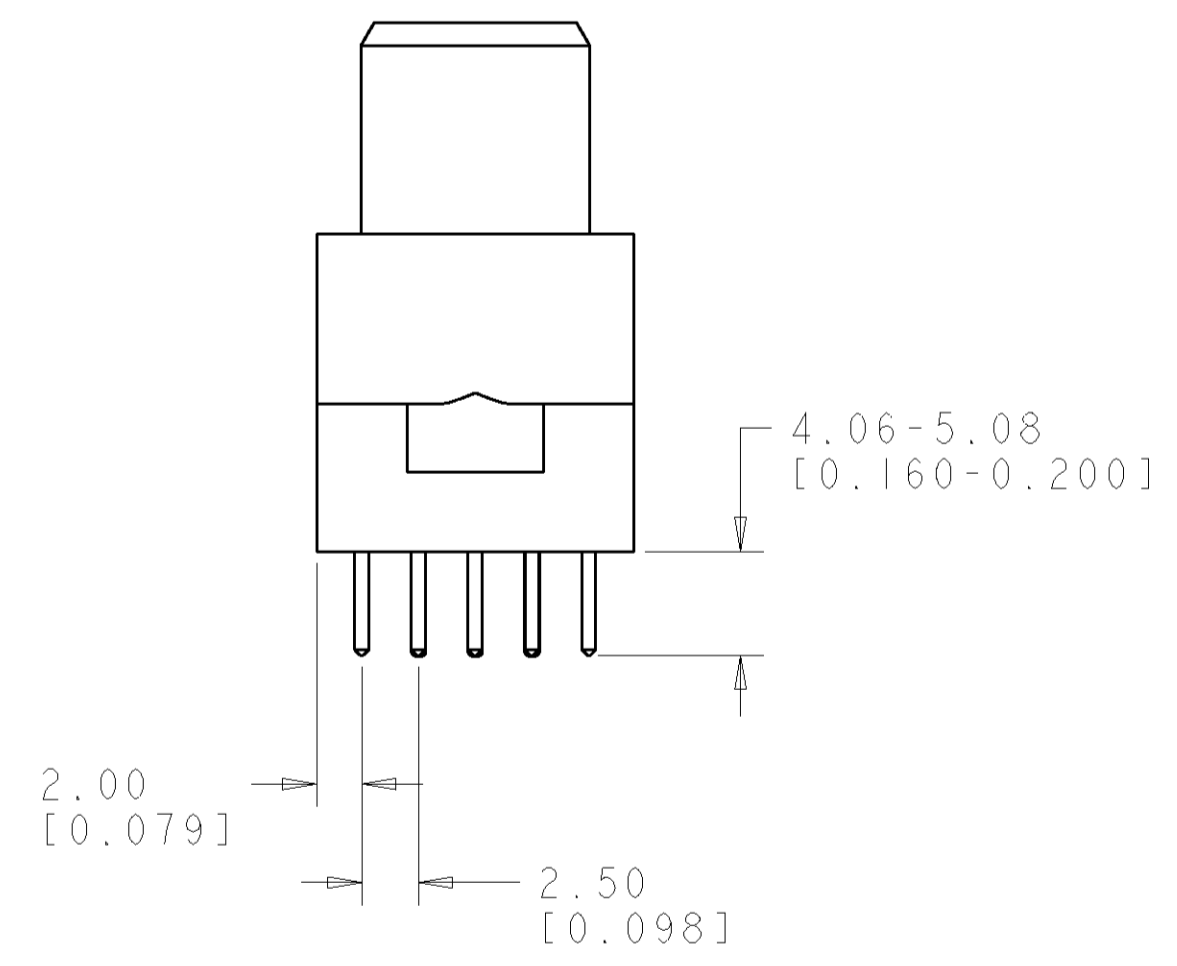
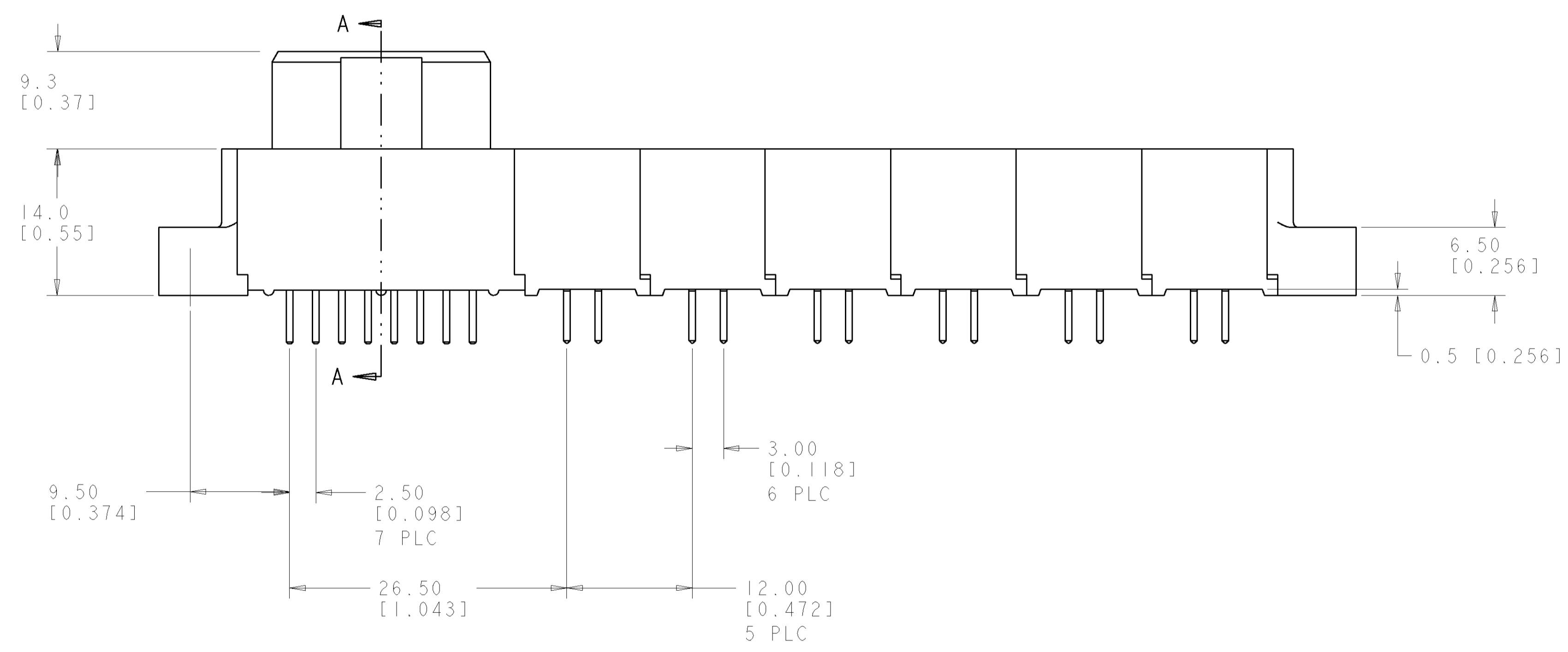
- PART NUMBER CHANGES AND OR DESIGN CHANGES AFFECTING ITEM INTERCHANGEABILITY REQUIRE PRIOR TYCO APPROVAL AND AUTHORIZATION BY REVISION TO THIS DRAWING.
- MATERIAL:
 INSULATORS - THERMOPLASTIC, GLASS REINFORCED, COLOR: BLACK, UL94V-0 FLAMMABILITY RATED.
 POWER CONTACTS - PHOSPHOR BRONZE ALLOY, COPPER ALLOY
 SOLDER SIGNAL PINS-BRASS ALLOY
 CROWN BAND-BERYLLIUM COPPER ALLOY
- FINISH:
 CONTACTS - GOLD PLATE .000030 INCH MIN. THK., OVER NICKEL .000050 INCH MIN. THK
 SOLDER TAILS, TIN .000100 INCH MIN. THK.
 OVER NICKEL .000050 MIN THK.

△ ITEMS PROVIDED TO THIS SPECIFICATION TO BE PERMANENTLY IDENTIFIED PER THE FOLLOWING IDENTIFIER LABEL

YEAR 1 WEEK 1

TYCO PART NO. DATE CODE (e.g. 0106)
 XXXXXXXX-X XXXX

△ MOUNTING FLANGE ACCEPTS M3 OR #4-40 SCREWS. (USER SUPPLIED)

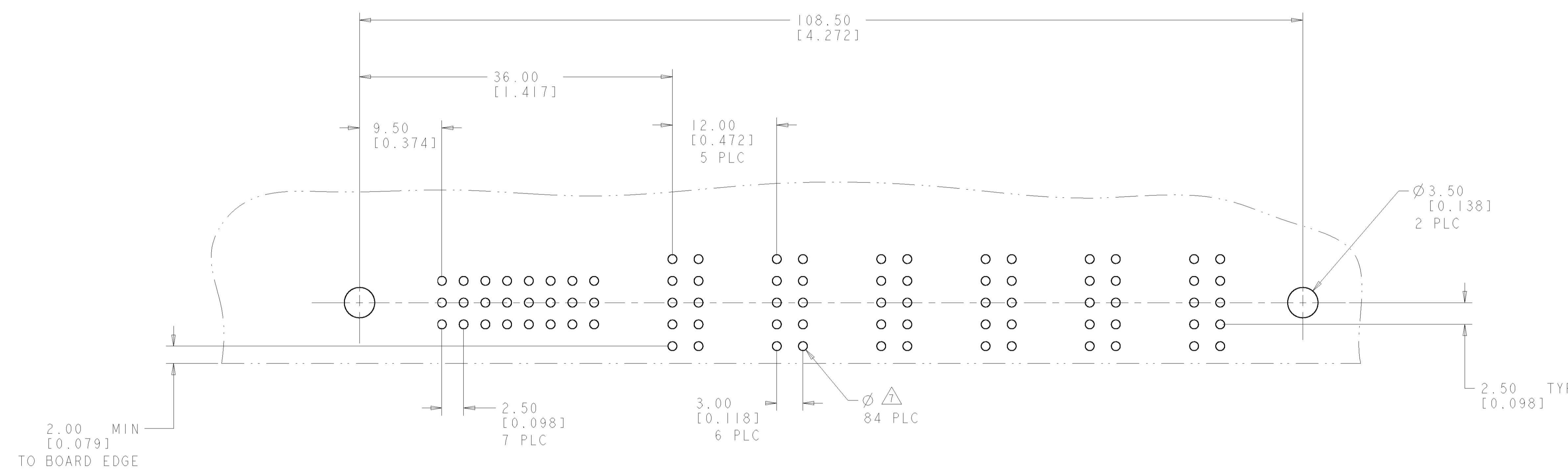


SECTION A-A
 GENDER CHANGER REMOVED
 FOR CLARITY

AS SHOWN	1926059-1
DESCRIPTION	PART NUMBER

DIMENSIONS: mm [INCHES] TOLERANCES UNLESS OTHERWISE SPECIFIED: 0 PLC ± 1 PLC ±0.3 2 PLC ±0.15 3 PLC ± 4 PLC ± ANGLES ± 5		DWN: B. GRZYBOWSKI 15AUG06 CHK: P. DAMATO 15AUG06 APVD: S. FLICKINGER 15AUG06	tyco Tyco Electronics Harrisburg, PA 17105-3608
MATERIAL: -	FINISH: -	WEIGHT: -	RESTRICTED TO: -
CUSTOMER DRAWING		SCALE: 3:1	SHEET 1 OF 3 REV A

LOC	DIST	REVISIONS			
P	LTR	DESCRIPTION	DATE	DRN	APVD
-	-	SEE SHEET 1	-	-	-



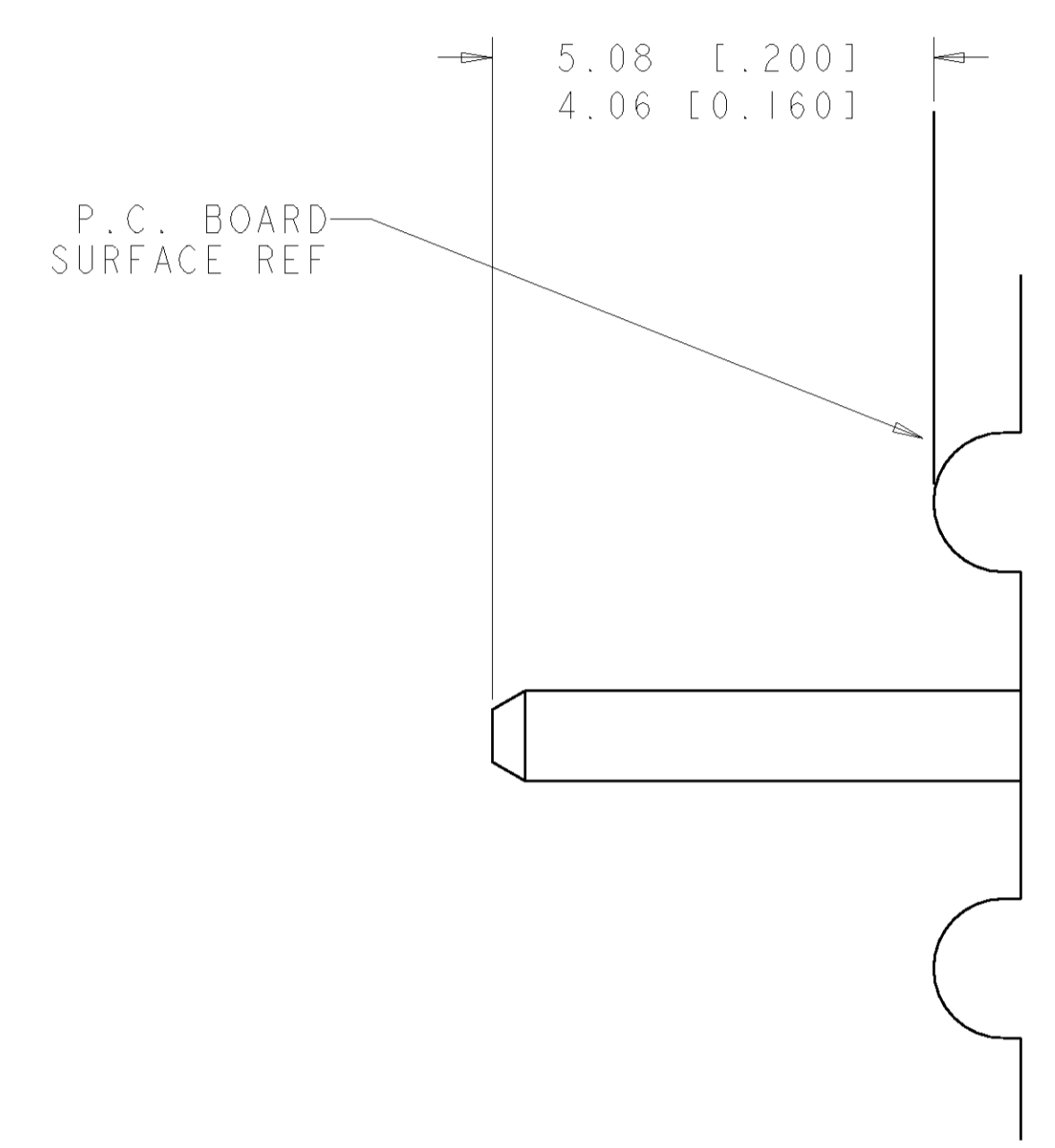
PRINTED CIRCUIT LAYOUT
 COMPONENT SIDE

CONNECTOR	EQUIVALENT CATALOG MODULE #	MODULE QTY	CONTACT QTY	SIZE NO.	MATING PIN	MAX. CURRENT (PER CONTACT)	CONTACT SPACING	VOLTAGE RATING
SOCKET	FP116	6	6	8	1.25 X 7.00 [.049 X .276]	35 amps	7.50 [.2953]	600 VOLTS
	FP301	1	24	22	.64 [.025] SQ.	3 amps	2.50 [.0984]	125 VOLTS
	FP500	1	-	LEFT MOUNTING FLANGE				
	FP501	1	-	RIGHT MOUNTING FLANGE				

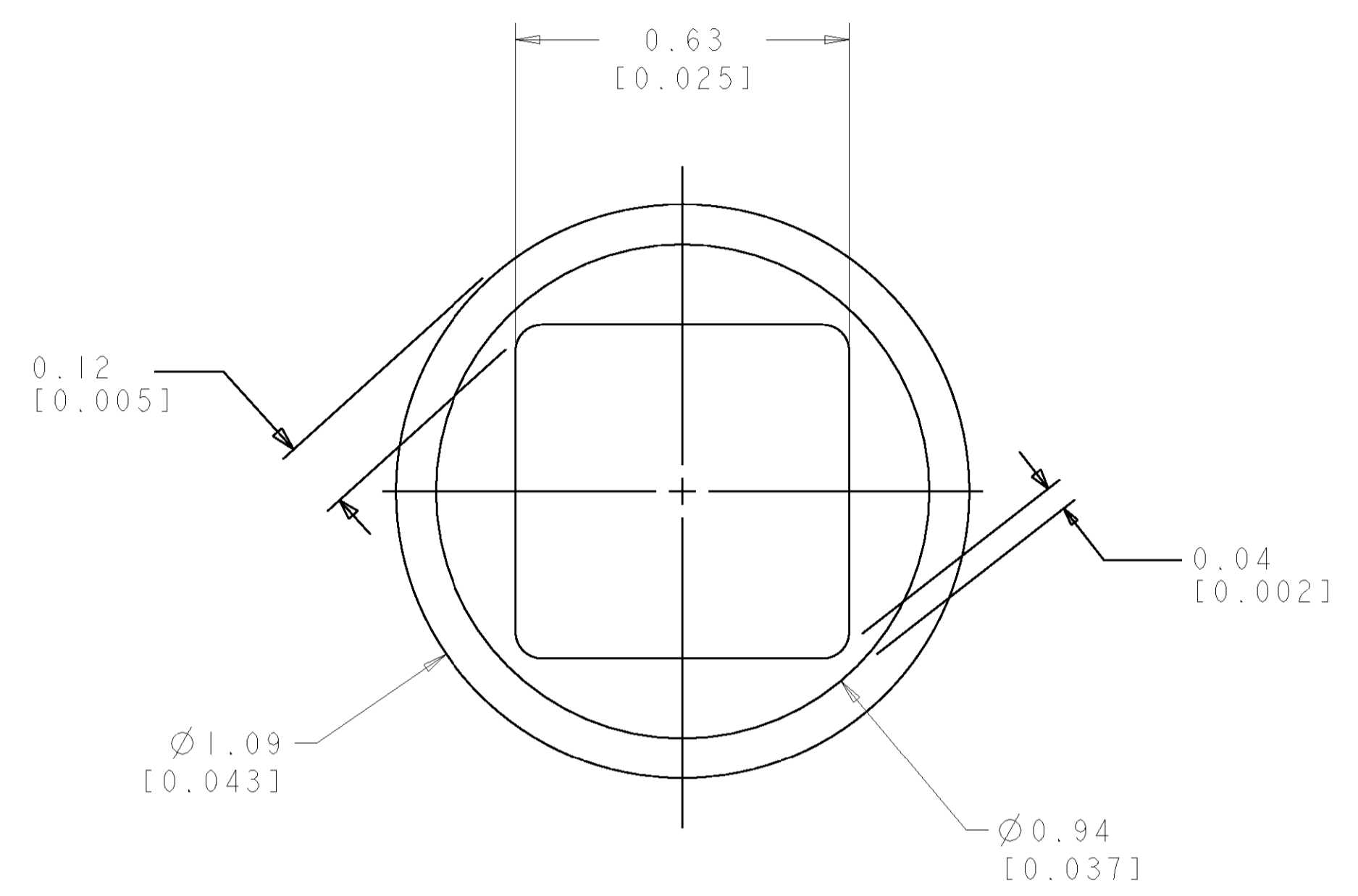
ELCON FLATPAQ

DIMENSIONS: mm [INCHES]		TOLERANCES UNLESS OTHERWISE SPECIFIED: 0 PLC ± 1 PLC ±0.3 2 PLC ±0.15 3 PLC ± 4 PLC ± ANGLES ± 5		DRN B. GRZYBOWSKI 15AUG06	Tyco Electronics Harrisburg, PA 17105-3608
MATERIAL: - FINISH: -		WEIGHT: - CUSTOMER DRAWING		CHK P. DAMATO 15AUG06	NAME S. FLICKINGER 15AUG06 PRODUCT SPEC APPLICATION SPEC
STRAIGHT SOCKET CONNECTOR SOLDER TAILS		SIZE: A 00779 C=1926059 SCALE: 3:1 SHEET 2 OF 3 REV A			

LOC	DIST	REVISIONS					
GP	00	P	LTR	DESCRIPTION	DATE	DWN	APVD
-	-	-	-	SEE SHEET 1	-	-	-



6. SOLDER PIN DETAIL
SCALE 10:1



△ SOLDER TERMINATION AREA
 SCALE 40:1
 RECOMMENDED PRINTED CIRCUIT SOLDER HOLE
 FINISHED HOLE: Ø1.02 [.040] ±.008 [.0003]
 DRILLED HOLE: Ø1.15 [.0453] ±.013 [.0005]
 COPPER PLATE: .025 [.0010] MIN
 TIN PLATE: .008 [.0003] MIN. (PER SURFACE)

ELCON FLATPAQ

<small>THIS DRAWING IS UNPUBLISHED. RELEASED FOR PUBLICATION BY TICO ELECTRONICS CORPORATION. ALL RIGHTS RESERVED.</small>		DWN: B. GRZYBOWSKI 15AUG06 CHK: P. DAMATO 15AUG06 APVD: S. FLICKINGER 15AUG06	tyco Tyco Electronics Harrisburg, PA 17105-3608
DIMENSIONS: mm [INCHES]	TOLERANCES UNLESS OTHERWISE SPECIFIED: 0 PLC ± 1 PLC ±0.3 2 PLC ±0.15 3 PLC ± 4 PLC ± ANGLES ±.5	PRODUCT SPEC APPLICATION SPEC WEIGHT CUSTOMER DRAWING	NAME: STRAIGHT SOCKET CONNECTOR SOLDER TAILS SIZE: A 00779 C=1926059 SCALE: 3:1 SHEET: 3 OF 3 REV: A