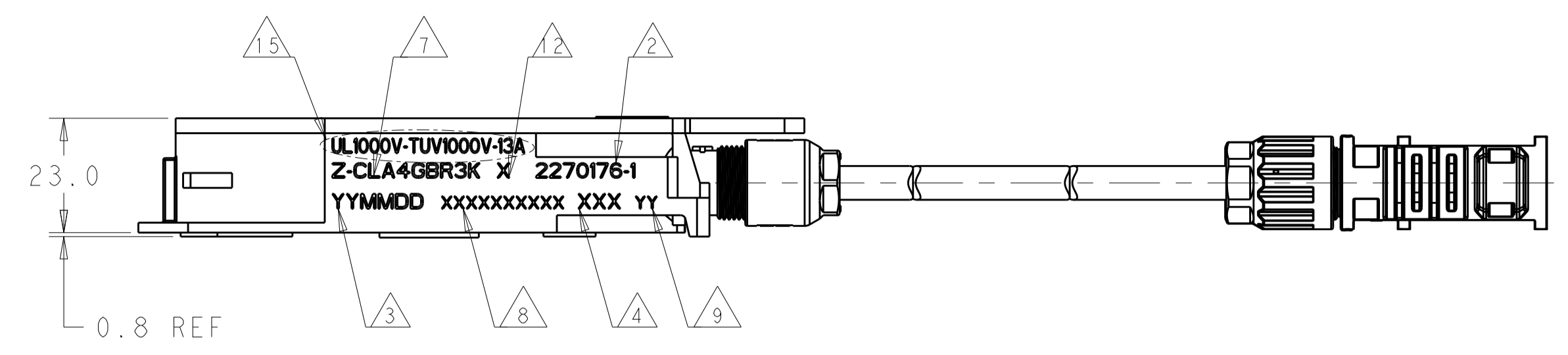
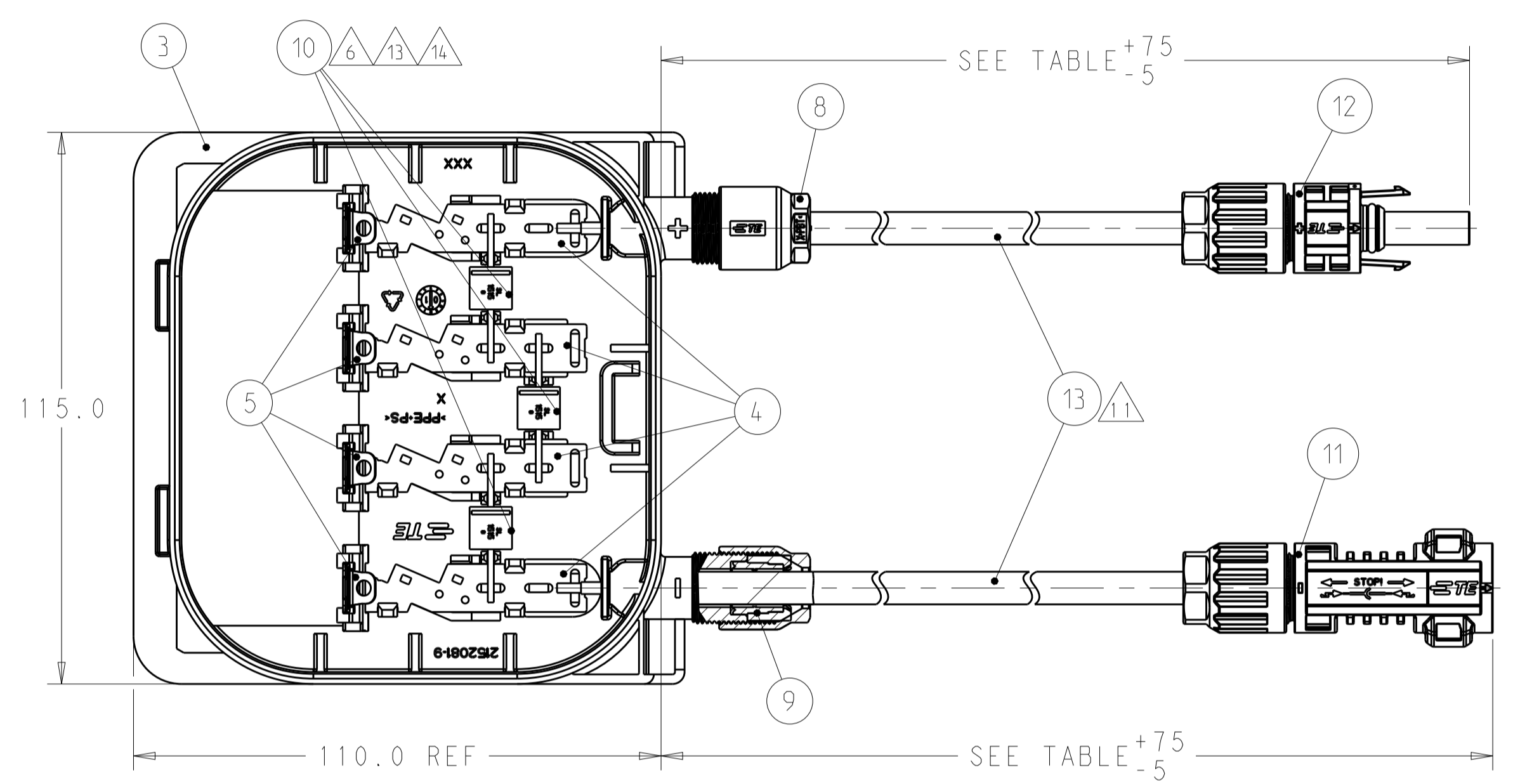


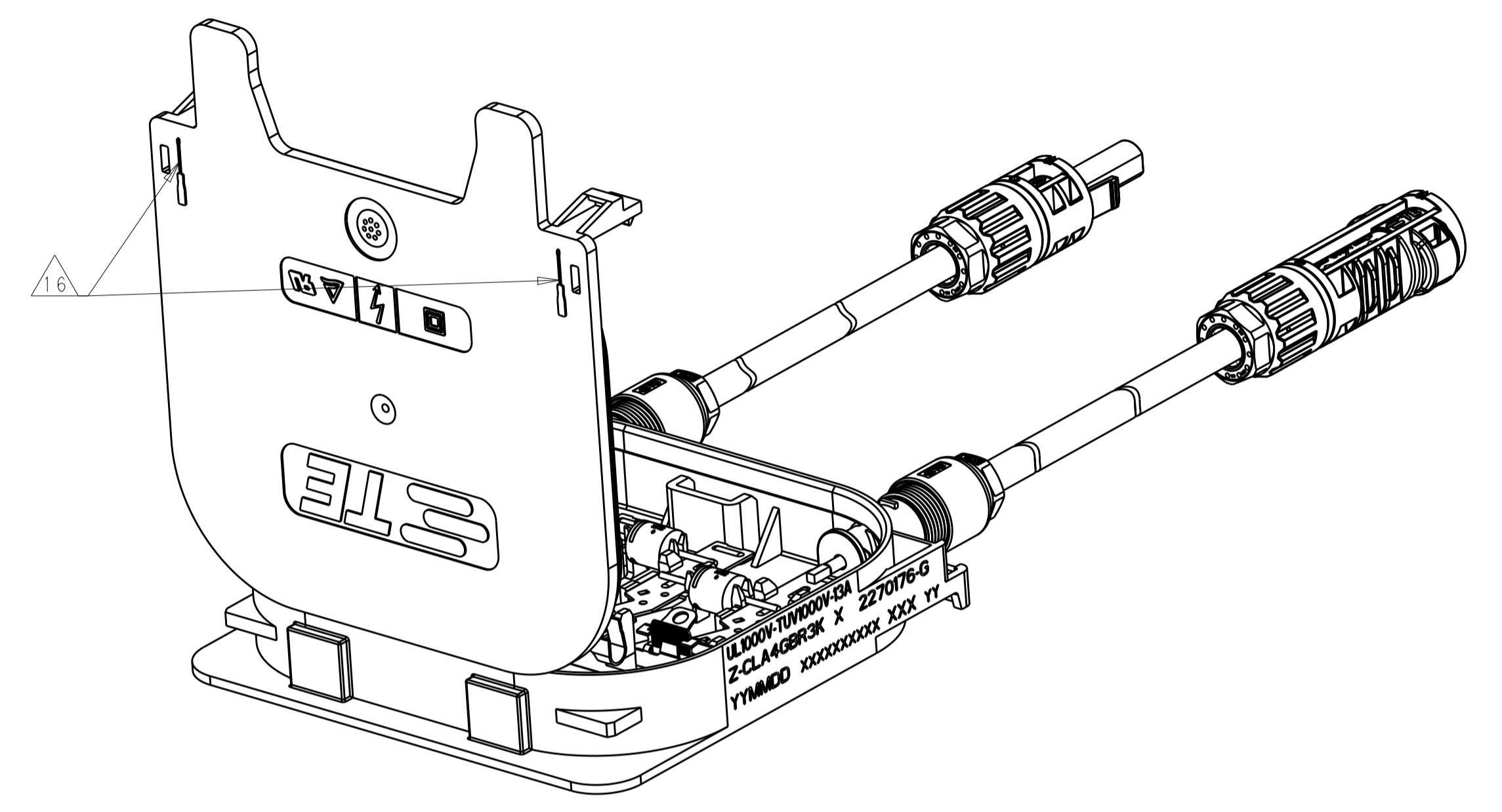
LOC	DIST	REVISIONS			
		REV	DATE	BY	APP'D
		A	28APR2016	KR	ZY
		A1	17JAN2017	AZ	YZ
		B	09JUN2017	AZ	MS



LID ASSEMBLY SHOWN CLOSED FOR REFERENCES ONLY



LID ASSEMBLY SHOWN WITHOUT COVER FOR REFERENCES ONLY



LID ASSEMBLY SHOWN COVER OPEN FOR REFERENCES ONLY

YES	35 PIECES $\triangle 18$	1-2270176-4	1100
YES	30 PIECES $\triangle 17$	1-2270176-2	1200
YES	35 PIECES $\triangle 18$	1-2270176-1	1000
NO	30 PIECES $\triangle 17$	2270176-2	1200
NO	35 PIECES $\triangle 18$	2270176-1	1000
<b>MOUNTING TAPE DOUBLE SIDED</b>	<b>PACKAGING QTY.</b>	<b>PART No.</b>	<b>CABLE LENGTH in mm</b>

- 1 AS SHOWN

1- -41- -21- -1 -2 -1	PART NUMBERS				
1 1 1 - -	14	MOUNTING TAPE 80.0mm x 20.0mm x 1.0mm	LOHMANN	-	
2 2 2 2 2	13	SOLAR CABLE DUAL RATED(TÜV,UL) 4mm <sup>2</sup> /12 AWG $\triangle 11$	BLACK	-	
1 1 1 1 1	12	PV4-S SOCKET CONNECTOR ASSY.	BLACK	-	
1 1 1 1 1	11	PV4-S PIN CONNECTOR ASSY.	BLACK	-	
3 3 3 3 3	10	BYPASS DIODE TYPE: SL1515B $\triangle 6 \triangle 13 \triangle 14$	-	-	
2 2 2 2 2	9	PINCH RING SEAL INMOLDED, ASSY	BLACK	PA66/LSR	
2 2 2 2 2	8	CABLE SCREW JOINT	BLACK	PBT	
1 1 1 1 1	7	RING FOR ULTRASONIC WELDING	-	-	
1 1 1 1 1	6	MEMBRANE VENTS	-	-	
4 4 4 4 4	5	S-CLIP	PLAIN	STAINLESS STEEL	
4 4 4 4 4	4	CONTACT RAIL	TIN HOT DIPPED	CuSn	
1 1 1 1 1	3	SOLAR MODULE BOX LOWER PART WITH STANDOFFS	BLACK	PPE+PS	
1 1 1 1 1	2	O-RING SEAL	RED	SILOPREN	
1 1 1 1 1	1	SOLAR MODULE BOX COVER, ASSY. WITH UNIFIED MARKING $\triangle$	BLACK	PPE+PS	
QTY. PER ASSY		ITEM-NO.	DESCRIPTION	SURFACE / COLOUR	MATERIAL

THIS DRAWING IS A CONTROLLED DOCUMENT.  
 DIMENSIONS: mm  
 TOLERANCES UNLESS OTHERWISE SPECIFIED:  
 0 PLC  $\pm 2$   
 1 PLC  $\pm 2.0$   
 2 PLC  $\pm$   
 3 PLC  $\pm$   
 4 PLC  $\pm$   
 ANGLES  $\pm$   
 FINISH

OWN: BRAGHU 28APR2016  
 CHK: ZHANG ALEX 28APR2016  
 AP'D: ZHONG YUAN 28APR2016

NAME: JUNCTION BOX ASSEMBLY, Z-RAIL, S-CLIP, WITH PV4-S CONNECTOR ASSY.  
 PRODUCT SPEC: 108-2471-1  
 APPLICATION SPEC: 114-13303-1

SIZE: A1  
 CAGE CODE: 00779  
 DRAWING NO: C=2270176

RESTRICTED TO: -  
 SCALE: 1:1  
 SHEET: 1 OF 2  
 REV: B

STC TE Connectivity

LOC		DIST		REVISIONS			
P	LTN	DESCRIPTION	DATE	DMN	APVD		
-	-	SEE SHEET 1	-	-	-		

- △ COVER NOT ASSEMBLED WITH LOWER PART. ENCLOSE LOOSELY.
- △ PART NUMBER.
- △ PRODUCTION DATE (YYMMDD).
- △ MANUFACTURING LOCATION CODE.
- 5 FOR CABLES PER APPLICATION SPEC. 114-18488-1 WITH OUTER DIAMETER 5.5 - 7.8mm
- △ DIODE SL1515B ACC. SPEC. 108-94244.
- △ MODEL CODE ACCORDING TE-SPEC. 404-74000-1.
- △ CONSECUTIVE SERIAL NUMBER.
- △ TEST EQUIPMENT NUMBER.
- △ DIODES WELDED ON CONTACT RAIL EXCHANGABLE WITH REP-KIT, SEE APPL.SPEC. 114-13303-1.
- ⓑ △ SOLAR CABLE WITH UL4703 AND EN50618 APPROVAL.PN 2270259-1 AND 2270260-1 CAN ALSO BE ALTERNATIVELY USED.
- △ MARK FOR DIODE TYPE, ADDED WITH LASER PRINTER:  
 B FOR DIODE SL1515B.  
 E FOR DIODE SL1515E
- △ DIODE SL1515E ACC. SPEC. 108-106133 CAN ALTERNATIVELY USED.
- △ ONLY DIODES OF THE SAME TYPE RESP. DESIGNATION ARE PERMITTED FOR USE IN ONE AND THE SAME SOLAR BOX. ONLY SOLARLOK BOXES WITH THE SAME DIODES ARE PERMITTED TO PACK IN ONE AND THE SAME CORRUGATED SHIPPING BOX.
- △ INDICATION FOR JUNCTION BOX ASSY. VOLTAGE AND CURRENT RATINGS.

MOUNTING INSTRUCTION

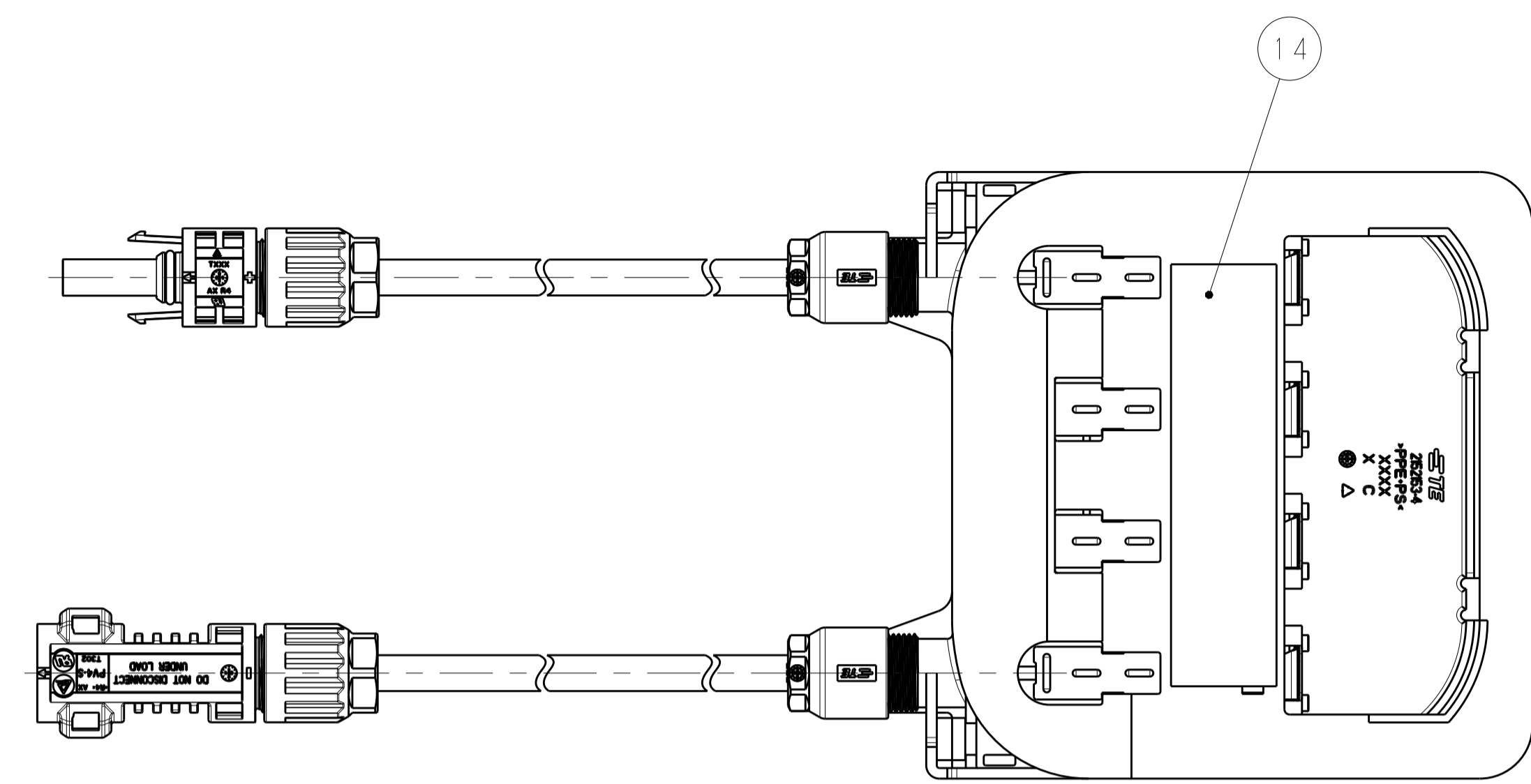
- FOR COVER ASSY:
1. MOUNT COVER ITEM NO. 1 AND 2 INTO THE LOWER PART ITEM NO. 3 AND CLOSE IT. ( LATCH SNAP IN ).
  2. RE-OPEN: PUT IN MARKED OPENING △6 SCREWDRIVER 3mm AND MOVE LATCH UNTIL LOCKING LATCH FREE THE COVER. OPEN COVER ITEM NO. 1 AND 2

- △ PACKAGING: 30 PIECES JUNCTION BOX ASSEMBLY, Z-RAIL, FOIL CLIP PACKED IN TWO ROWS OF 15 BOXES EACH ON TOP OF CORRUGATED LAYER PAD . IN CORRUGATED SHIPPING BOX PER TE-SPEC. 107-18052. JUNCTION BOX ASSEMBLY, Z-RAIL, FOIL COVERED WITH CORRUGATED LAYER PAD. 30 PIECES JUNCTION BOX LID ASSEMBLY, Z-RAIL, FOIL ITEM No. 1 PACKED ON TOP OF CORRUGATED LAYER. 15 IN THE FIRST AND SECOND LEVEL PACKAGED IN ESD PLASTIC BAG AND PUT ON THE CORRUGATED LAYER PAD. ON TOP USED AS COVER - PAPER CUSHION.

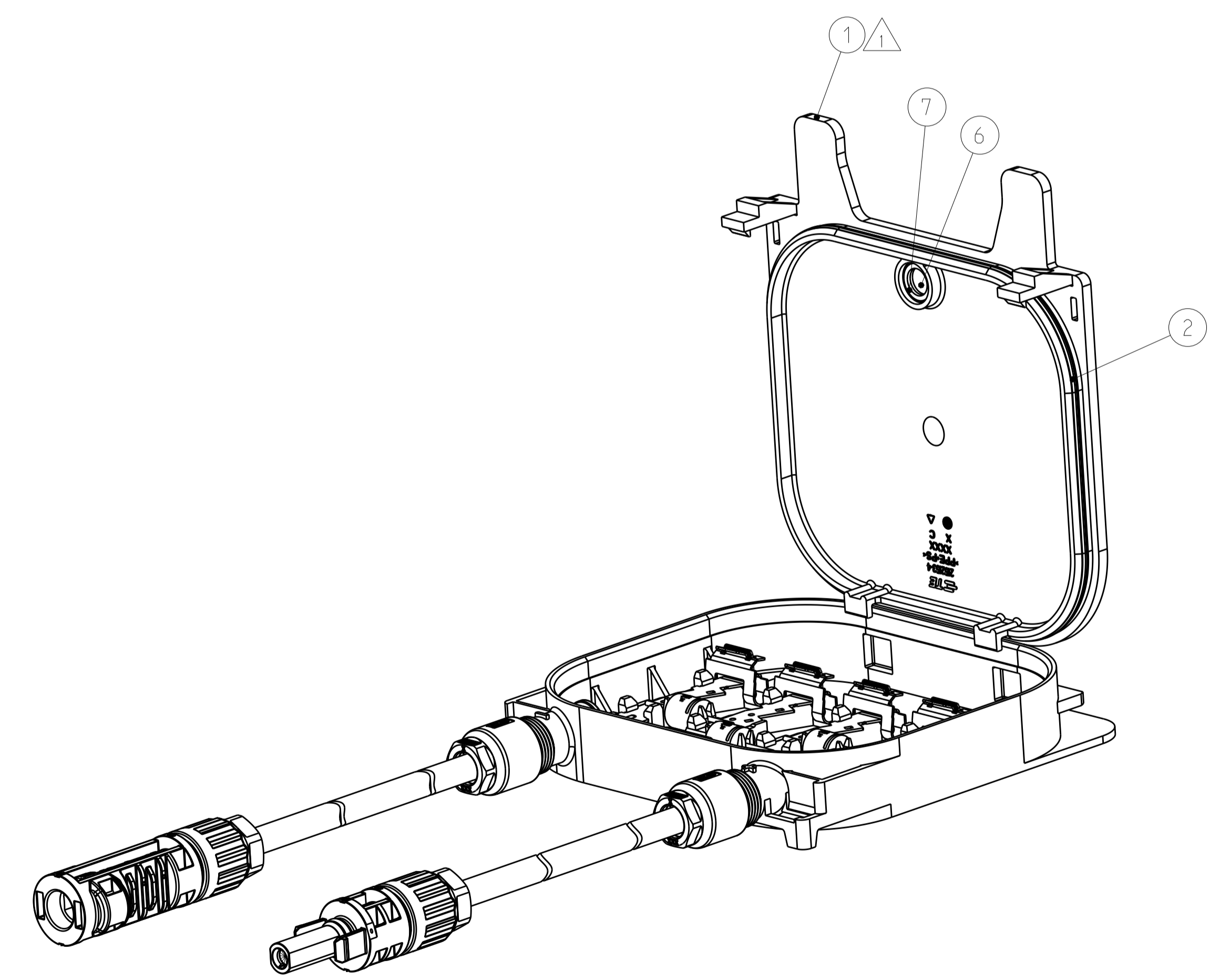
PACKAGING UNIT: 30 PIECES  
STANDARD PACKAGING QUANTITY: 30 PIECES

- △ PACKAGING: 35 PIECES SOLAR MODULE BOX WITH CABLE, ASSY IN TWO ROWS OF 17 AND 18 BOXES ON TOP OF CORRUGATED LAYER PAD IN CORRUGATED SHIPPING BOX PER TE-SPEC. 107-18052. SOLAR MODULE BOX MEDOT WITH CABLE, ASSY COVERED WITH CORRUGATED LAYER PAD. 35 PIECES SOLARBOX LID ASSY'S ITEM NO. 1 STACKED. 3 x 5 STACKS PACKAGED IN ESD PLASTIC BAG AND PUT ON THE CORRUGATED LAYER PAD. ON TOP USED AS COVER PAPER CUSHION.

PACKAGING UNIT: 35 PIECES  
STANDARD PACKAGING QUANTITY: 35 PIECES



REAR VIEW  
 1--X WITH MOUNTING TAPE AS SHOWN



LID ASSEMBLY SHOWN COVER OPEN FOR REFERENCES ONLY

THIS DRAWING IS A CONTROLLED DOCUMENT.		DMN: RAGHU 28APR2016	<b>TE</b> TE Connectivity
TOLERANCES UNLESS OTHERWISE SPECIFIED:		CHK: ZHANG ALEX 28APR2016	
DIMENSIONS:	mm	APVD: ZHONG YUAN 28APR2016	NAME: JUNCTION BOX ASSEMBLY, Z-RAIL, S-CLIP, WITH PV4-S CONNECTOR ASSY.
0 PLC	±2	PRODUCT SPEC	SIZE: 108-2471-1
1 PLC	±2.0	APPLICATION SPEC	SCALE: 1:1
2 PLC	±	WEIGHT: 114-13303-1	SHEET 2 OF 2
3 PLC	±	CUSTOMER DRAWING	REV B
4 PLC	±		
ANGLES	±		
MATERIAL	FINISH		