

4

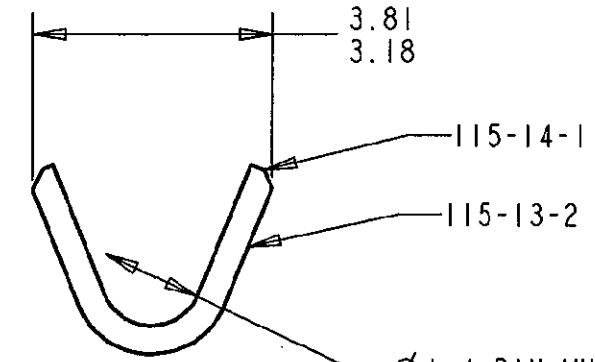
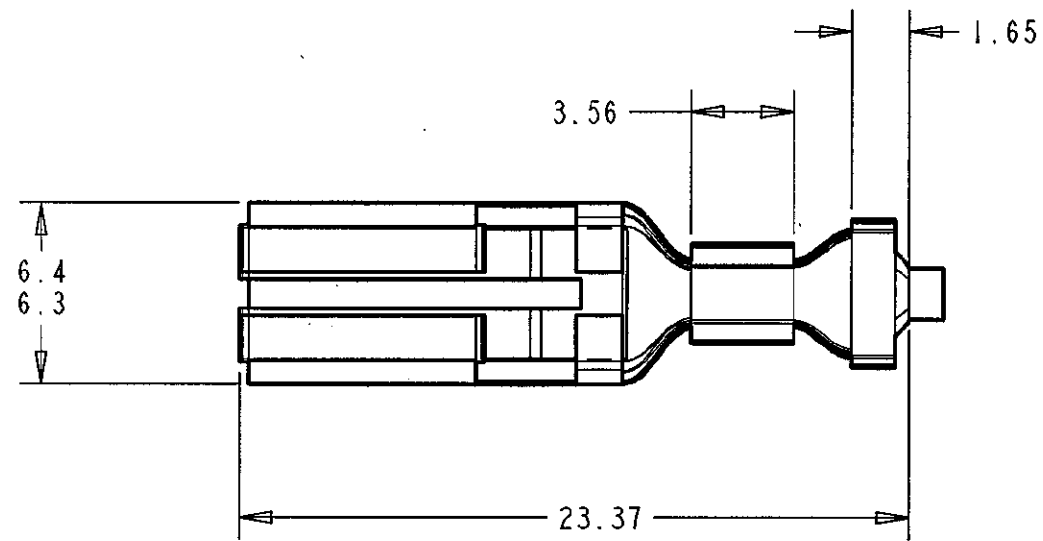
3

2

RELEASED FOR PUBLICATION 28-JULY-82

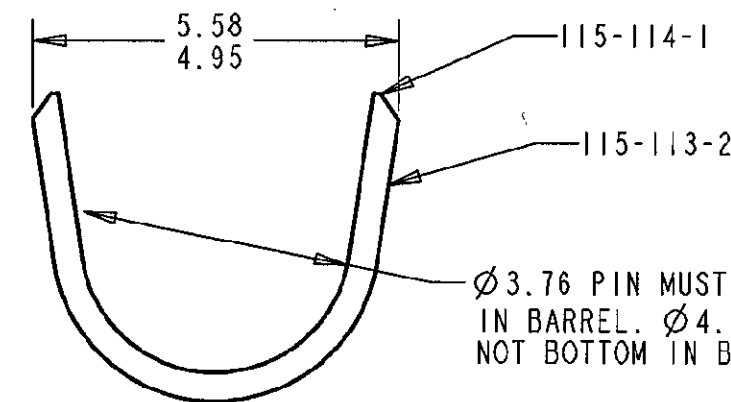
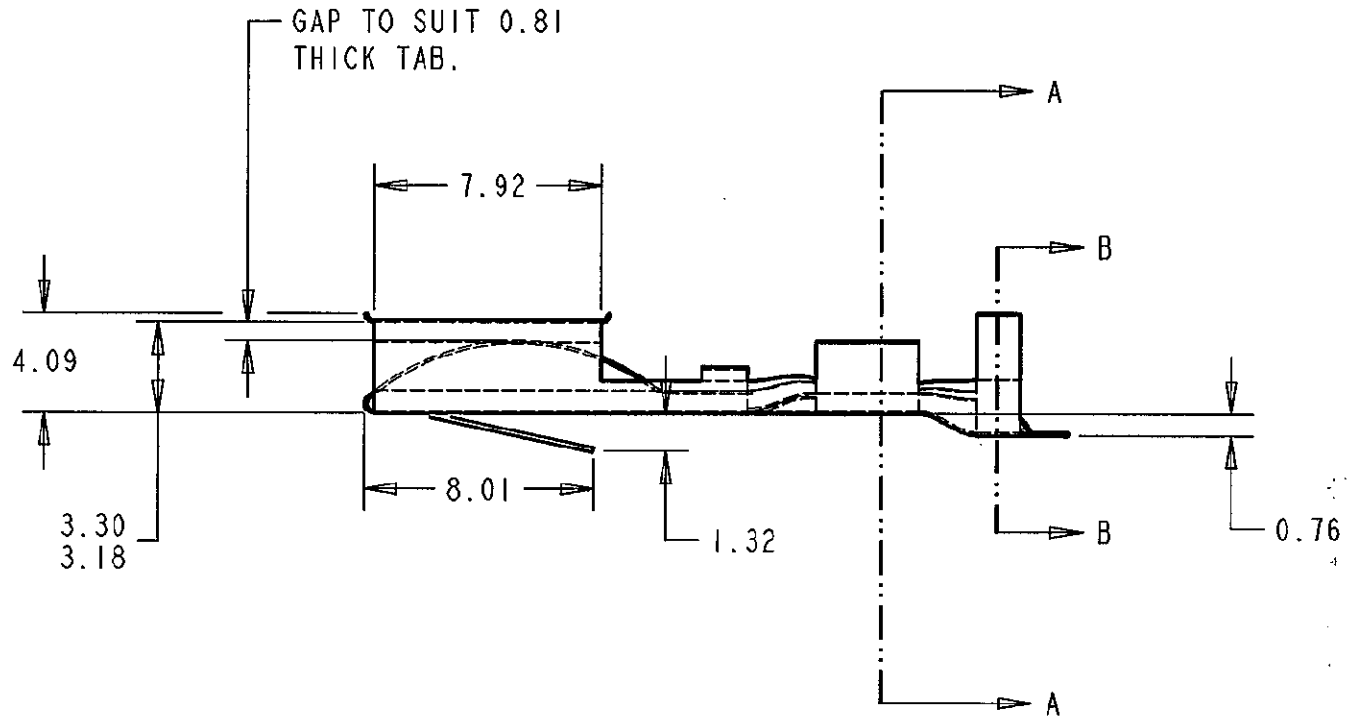
© COPYRIGHT 1982 BY AMP INCORPORATED. ALL RIGHTS RESERVED.

LOC		REVISIONS			
P	LTR	DESCRIPTION	DATE	DWN	APVD
D		EB00-0487-99	8-11-99	DRT	-
E		EB00-0150-00	15-03-00	DRT	



SECTION A-A  
SCALE 10:1

Ø1.4 PIN MUST BOTTOM IN BARREL. Ø1.68 PIN MUST NOT BOTTOM IN BARREL.



SECTION B-B  
SCALE 10:1

Ø3.76 PIN MUST BOTTOM IN BARREL. Ø4.04 PIN MUST NOT BOTTOM IN BARREL.

342873-4	PRE-TIN	PHOS. BRONZE	342413-4
342873-3	NONE	PHOS. BRONZE	342413-3
342873-2	PRE-TIN	BRASS	342413-2
342873-1	NONE	BRASS	342413-1
LOOSE PIECE	FINISH	MATERIAL	PART NUMBER

1. WIRE RANGE: -0.65-2.00 mm<sup>2</sup>.
2. INSULATION RANGE: -2.4-3.5.
3. REEL QUANTITY 2.5M.

THIS DRAWING IS A CONTROLLED DOCUMENT FOR AMP INCORPORATED. IT IS SUBJECT TO CHANGE AND THE CONTROLLING ENGINEERING ORGANIZATION SHOULD BE CONTACTED FOR THE LATEST REVISION.		DWN D.R. TERRY 17-Mar-00	 AMP of Great Britain Ltd, Stanmore, Middlesex, HA7 4RS.
DIMENSIONS IN m.m.		CHK C. HALLETT 24-Mar-00	
TOLERANCES UNLESS OTHERWISE SPECIFIED: LINEAR: - ±0.5 ANGULAR: - ±1°		APVD C.K. 27-Mar-00	
THIRD ANGLE PROJECTION	MATERIAL 0.4 THK STOCK SEE TABLE	FINISH SEE TABLE	NAME <b>RECEPTACLE</b> SIZE A3 CAGE CODE 00779 DRAWING NO ©-342413
CUSTOMER DRAWING			SCALE 4:1 SHEET 1 OF 1 REV E