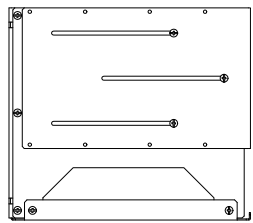
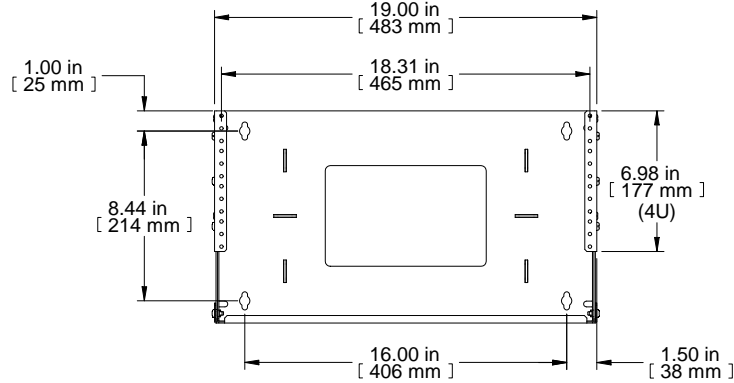


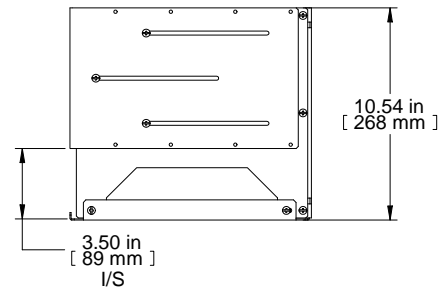
ISOMETRIC



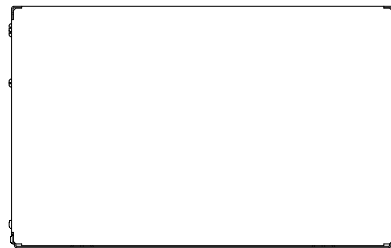
L.S. VIEW



FRONT VIEW



R.S. VIEW



BOTTOM VIEW

Item Number	Title	Quantity
1	4U APBS - REAR PANEL	1
2	4U APBS - SIDE PANEL (LH)	1
3	4U APBS - SIDE PANEL (RH)	1
4	4U APBS - ADJ SIDE BRKTS	2
5	19" APBS - BOTTOM SHELF	1
6	SCREW 10-32 X 3/8 BDHD SLZP	16

PART NUMBERS
 APB194U | PAINTED BLACK THIN FILM
 Adjustable depth from 12" to 18". [305mm to 457mm]
 Wall mounting hardware "not included".
 Equipment mounting hardware supplied
 Made from 14 GA steel, except shelf, 16GA steel.

Français
 Pour tous les détails sur nos produits, svp veuillez consulter
 notre site www.hammondmg.com

Data subject to change without notice. Isometric drawing not to scale.
 Les données sont sujettes à changement sans préavis.

HAMMOND MANUFACTURING.
www.hammondmg.com
PART NO. APBS194UBK