

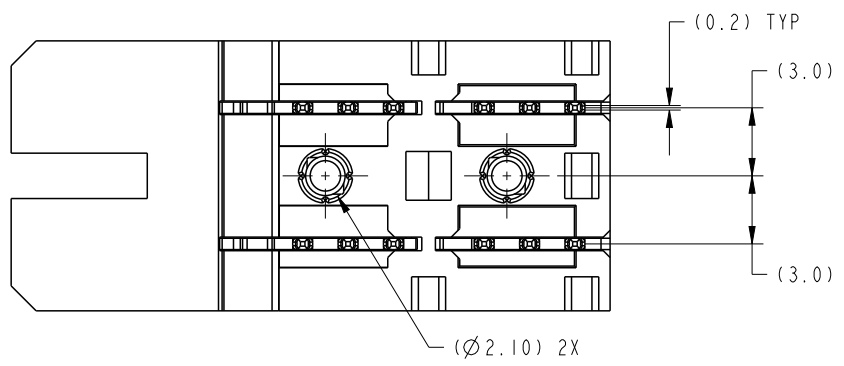
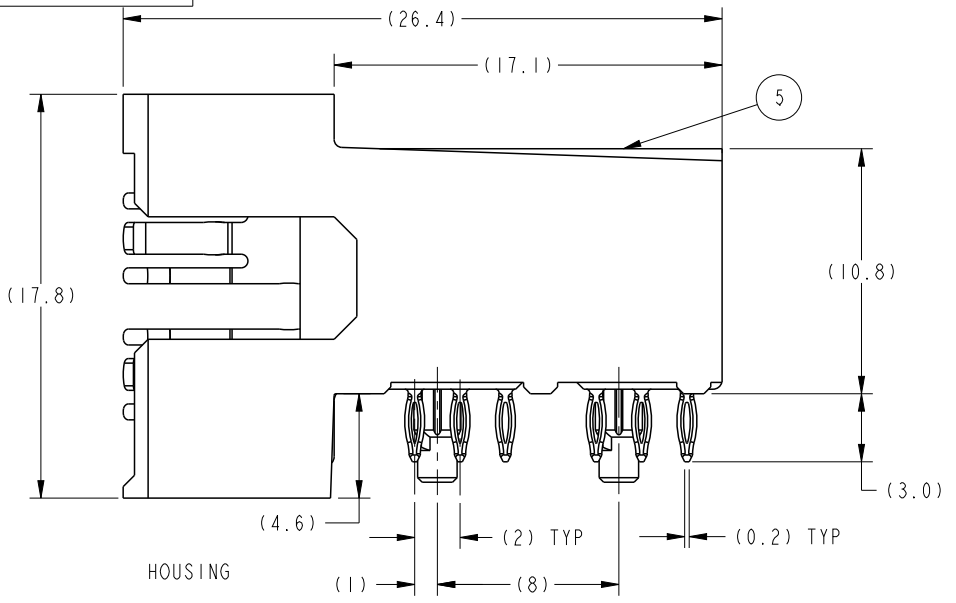
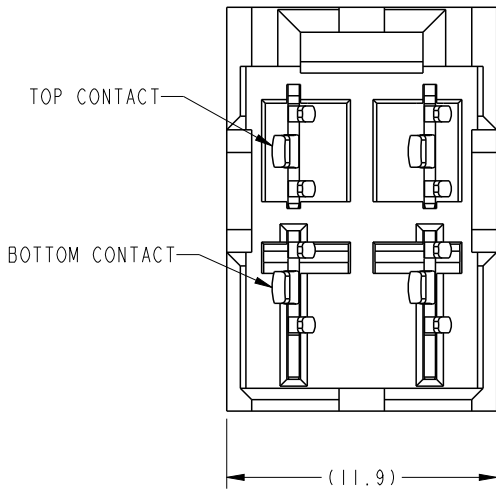
PRODUCT NUMBER (SEE NOTE 7)	CONTACT PLATING		ROHS COMPATIBILITY
	SEPARABLE INTERFACE	PRESS-FIT TAIL	
	10009542-001	Δ 0.76 μ m MIN GXT OVER NICKEL	0.5 μ m MIN TIN-LEAD NICKEL
10009542-001LF		0.5 μ m MIN MATTE TIN OVER NICKEL	SEE NOTE 8

A

B

C

D



spec ref	GS-12-220			dr	Chen-Hong Tan	2005/08/03	projection 	MM 	size	A4	scale	3:1	
tolerance std	ASME Y14.5			eng	Suzie Nah	2013/12/26			ecn no	ELX-S-16550-1			
TOLERANCES UNLESS OTHERWISE SPECIFIED			chr	-	-	product family			rel level	Released			
surface	linear	0.X	±.3	www.fci.com	title	2 X 2 HEADER ASSEMBLY, PRESS-FIT		dwg no	10009542		rev	G	
ASME Y14.5		0.XX	±.13										
	angular	0°	±2°	cat. no.							sheet 1 of 2		

ProjE File - REV C - 2009-06-09

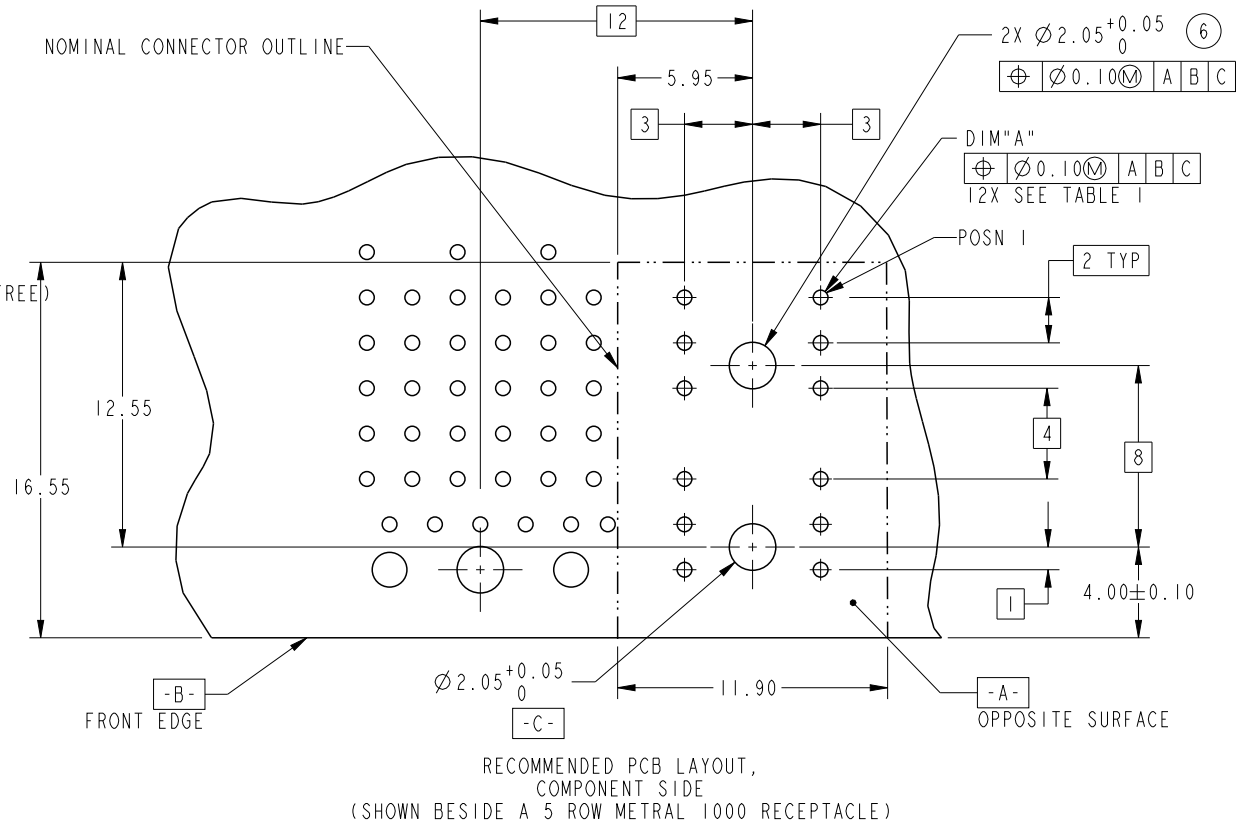


Copyright FCI.

TOP LAYER DESCRIPTION	TABLE 1 PLATED THROUGH-HOLE REQUIREMENTS							
	DRILLED HOLE DIAMETER	COPPER THICKNESS	TIN-LEAD THICKNESS	NICKEL THICKNESS	GOLD THICKNESS	TIN THICKNESS	SILVER THICKNESS	FINISHED HOLE DIAMETER (DIM"A")
TIN-LEAD	0.81-0.86 (0.85 DRILL)	0.025 - 0.050	0.005 - 0.015	--	--	--	--	0.65 - 0.80
IMMERSION TIN	0.81-0.86 (0.85 DRILL)	0.025 - 0.050	--	--	--	0.9 - 1.5 μ m	--	0.70 - 0.80
IMMERSION SILVER	0.81-0.86 (0.85 DRILL)	0.025 - 0.050	--	--	--	--	0.15 - 0.65 μ m	0.70 - 0.80
COPPER (SEE NOTE 10)	0.81-0.86 (0.85 DRILL)	0.025 - 0.050	--	--	--	--	--	0.70 - 0.80
GOLD	0.81-0.86 (0.85 DRILL)	0.025 - 0.050	--	0.003 - 0.007	FLASH UP TO 0.0002	--	--	0.69 - 0.80

NOTES:

- 1. CONNECTOR MATERIALS:
HOUSING: HI TEMP THERMOPLASTIC, BLACK, UL94V-0 COMPLIANT.
CONTACT: HIGH PERFORMANCE COPPER ALLOY
- 2. CONTACT PLATING:
PRESS-FIT TAIL: 0.5-1.5 μ m TIN-LEAD OVER NICKEL (LEADED)
: 0.5-1.5 μ m MATTE TIN OVER NICKEL (LEAD FREE)
SEPARABLE INTERFACE: 0.76 μ m MIN GXT OVER NICKEL
- 3. PRODUCT SPECIFICATION: GS-12-220
- 4. APPLICATION SPECIFICATION: GS-20-023
- 5. PRODUCT MARKING (PRODUCT NUMBER & LOT CODE) ON THIS SURFACE.
- 6. INDICATED HOLES ARE UNPLATED.
- 7. "LF" SUFFIX DENOTES LEAD FREE PLATING.
- 8. PRODUCT MEETS EUROPEAN UNION DIRECTIVES AND OTHER COUNTRY REGULATIONS AS DESCRIBED IN FCI SPECIFICATION GS-22-008.
- 9. PACKAGING MEETS FCI SPECIFICATION GS-14-920.
- 10. COPPER PLATING THICKNESS AT CENTER OF VIA HOLE CAN BE NO MORE THAN 0.003 LESS THAN OTHER AREAS.



Copyright FCI

spec ref	GS-12-220			dr	Chen-Hong Tan	2005/08/03	projection	MM	size	A4	scale	3:1	
tolerance std	TOLERANCES UNLESS OTHERWISE SPECIFIED			eng	Suzie Nah	2013/12/26			← →	ecn no	ELX-S-16550-1		
ASME Y14.5				chr	-	-				product family	2 mm HIGH POWER		
surface	linear	0.X	±.3	FCI	www.fci.com	title	2 X 2 HEADER	dwg no	10009542	rev	G	sheet 2 of 2	
		0.XX	±.13										
ASME Y14.5	angular	0°	±2°										

Print File - REV C - 2009-06-09