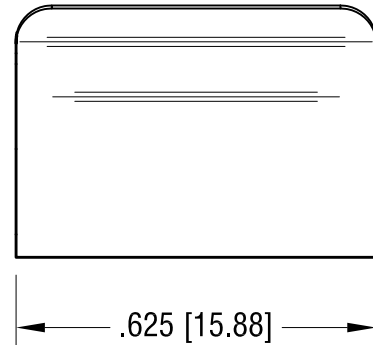
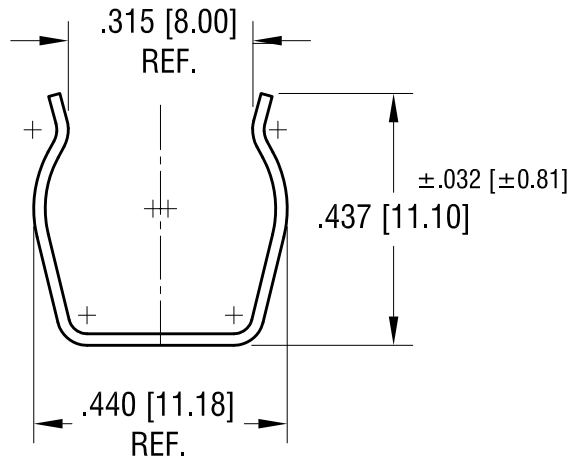
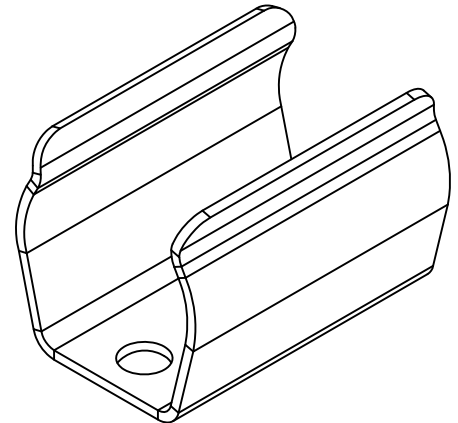
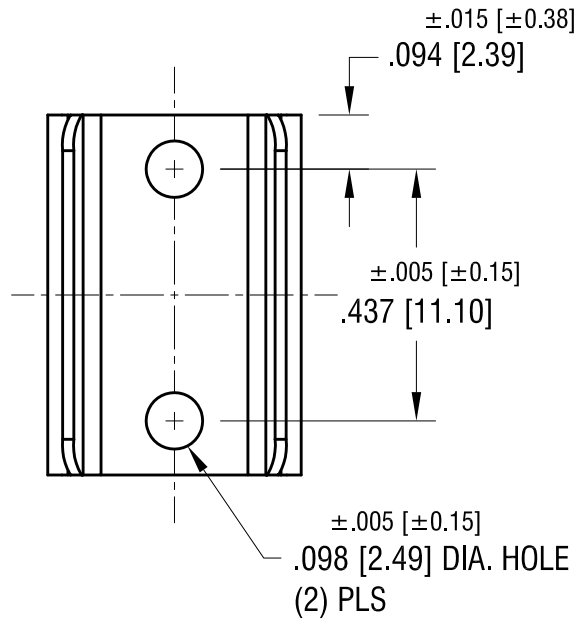


THIS DOCUMENT IS THE PROPERTY OF
KEYSTONE ELECTRONICS CORP. AND
SHALL NOT BE REPRODUCED, DISTRIBUTED
OR USED AS A BASIS FOR MANUFACTURE
WITHOUT PRIOR WRITTEN PERMISSION
FROM KEYSTONE ELECTRONICS CORP.



12.27.11	CHANGE AS PER ECN 11-167	C
12.13.99	CHANGE AS PER ECN 99-103	B
4.21.94	CHANGE AS PER ECR 94-005	A
DATE	DESCRIPTION	REV.

KEYSTONE ELECTRONICS CORP.			
www.keyelco.com • ASTORIA, N.Y. 11105-2017 • Tel (718) 956-8900			
PART NAME		'AAA' BATTERY CLIP	
MATERIAL		.020 [0.50] TH'K ALUMINUM 2024-T3	
FINISH	DRN BY	BOONE	DATE
-	APP'D	LN	10.30.81
TOLERANCES	INCH	[MM]	CODE
DECIMAL	$\pm .010$	[± 0.25]	DWG NO.
ANGULAR	$\pm 1^\circ$		90
UNLESS OTHERWISE SPECIFIED			