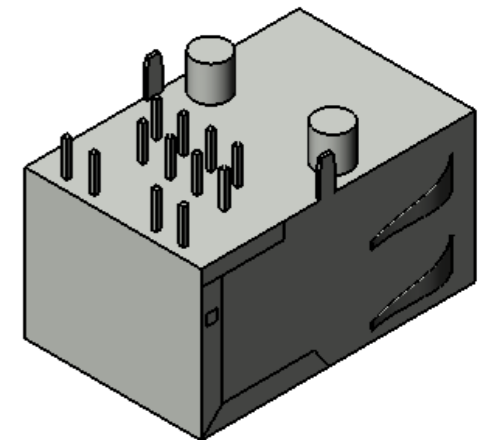
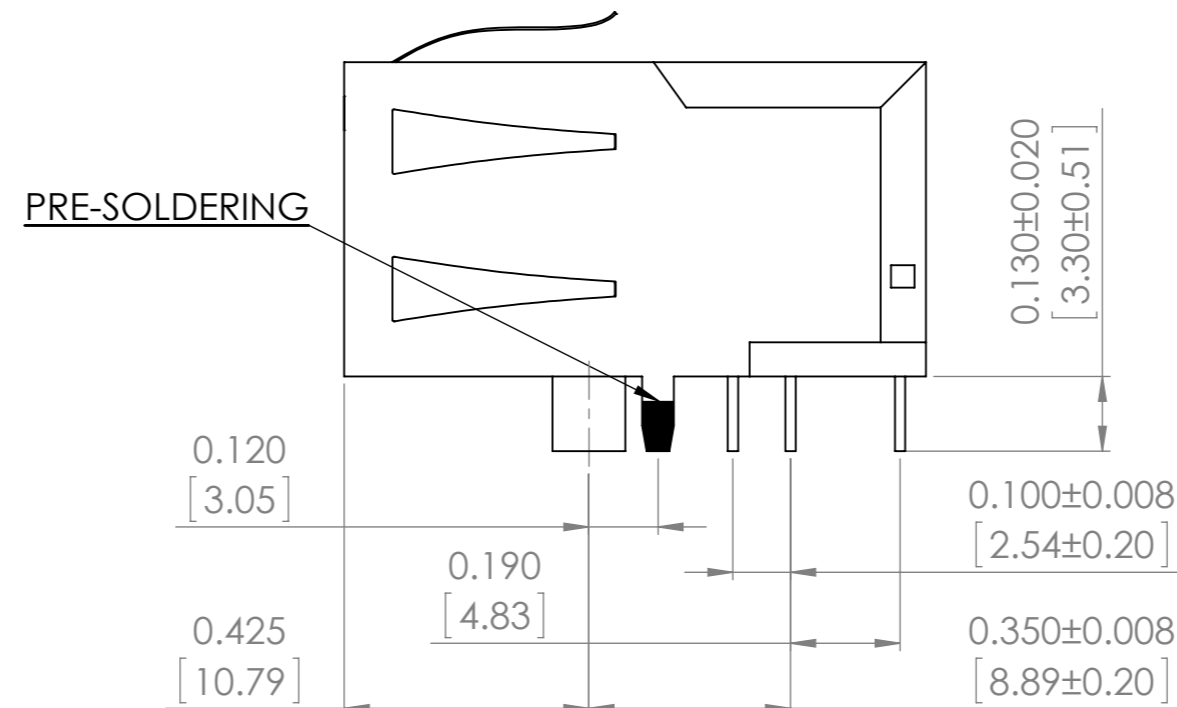
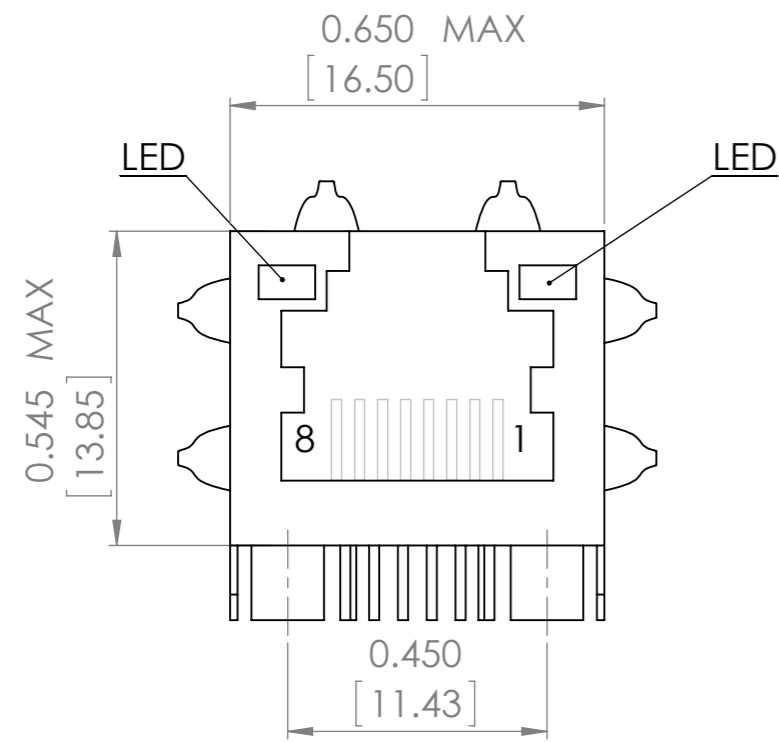

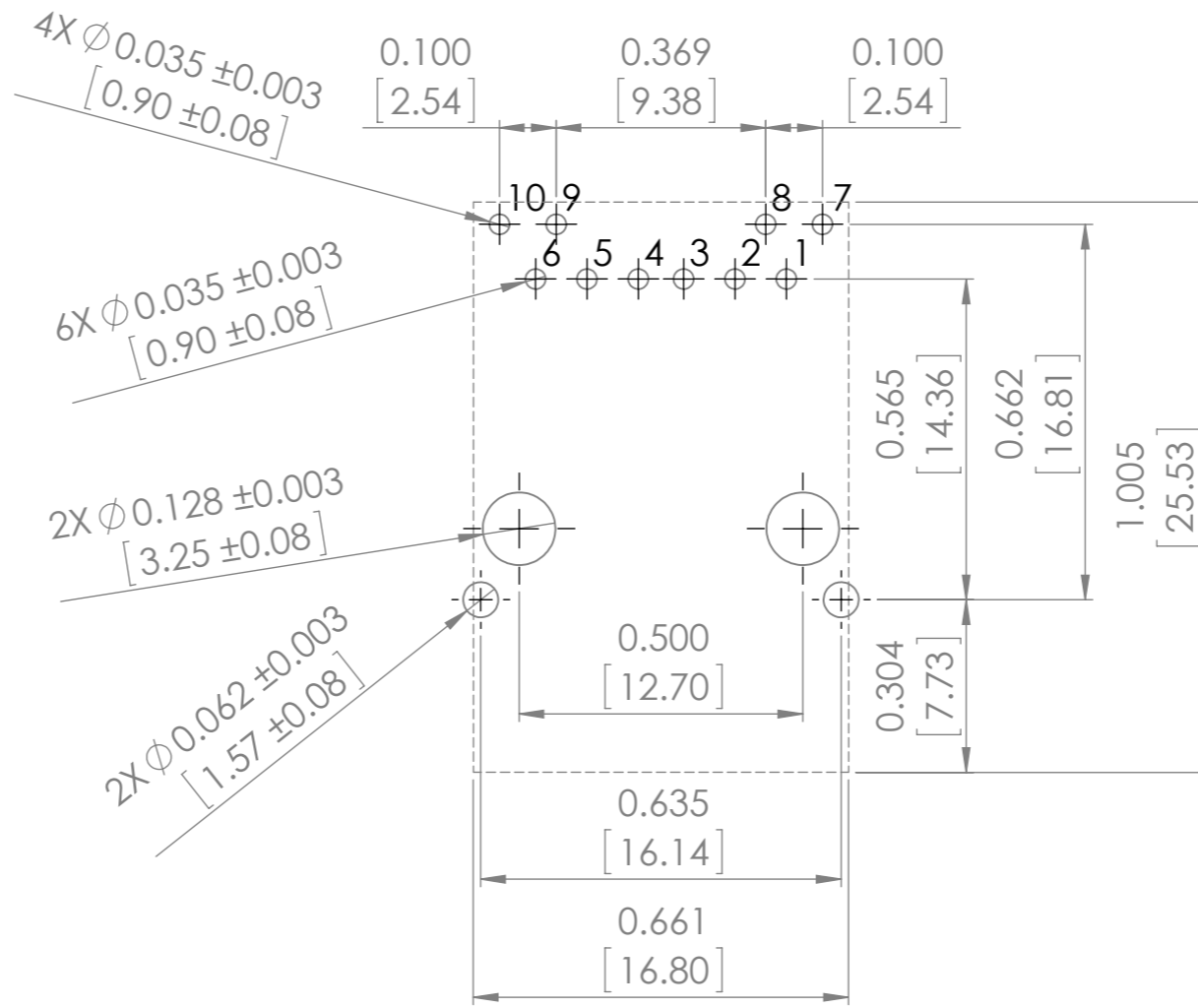
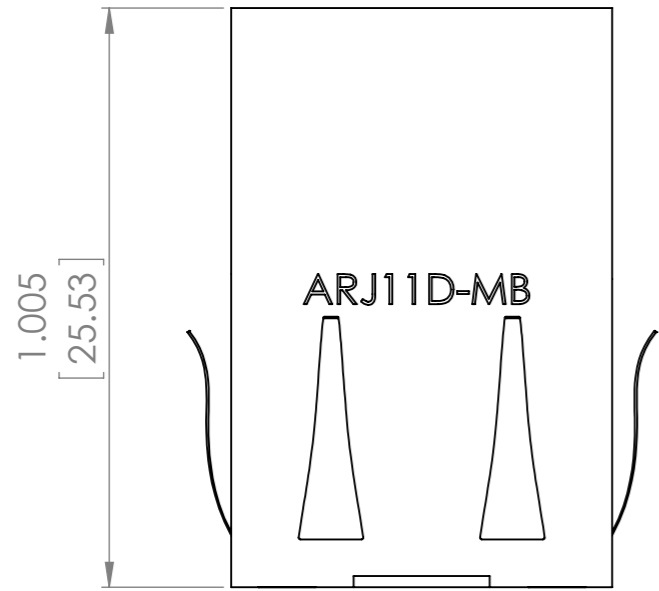


**Recommended Hole Pattern
View From Component Side**

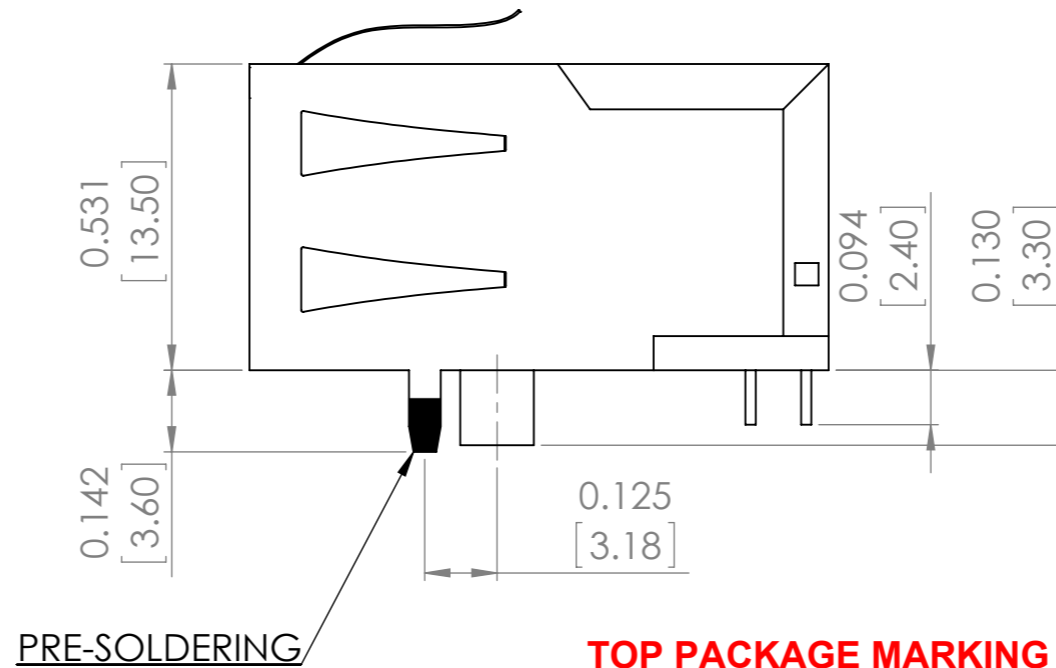
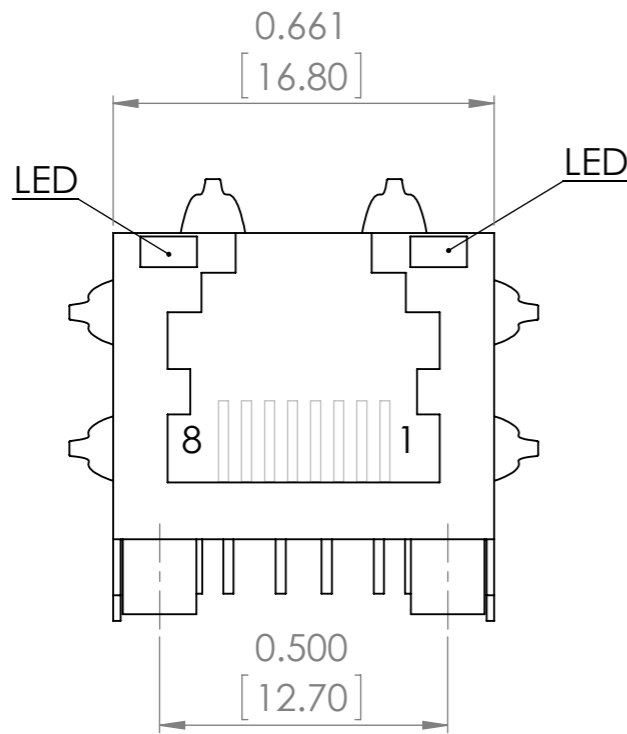


**TOP PACKAGE MARKING IS
FOR ILLUSTRATION PURPOSES ONLY**

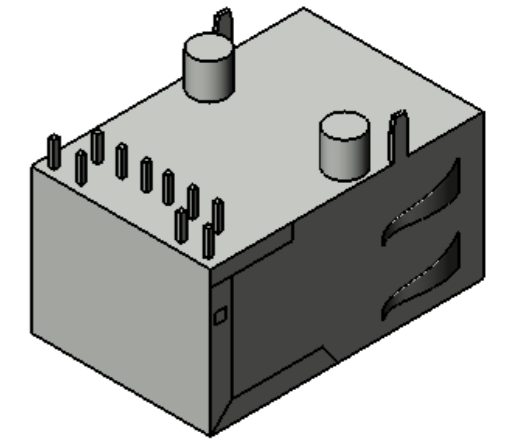
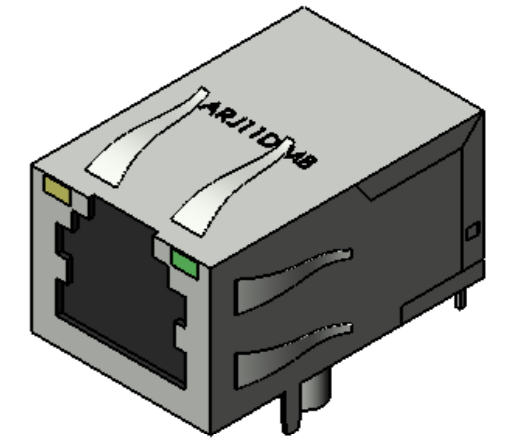
DO NOT SCALE DRAWING		REVISION	
 Apracon LLC, 2 Faraday, Suite#B Irvine, Ca. 92618		TITLE: RJ45	
		DWG NO. ARJ11D-MA	A3
SCALE:3:1		SHEET 1 OF 1	




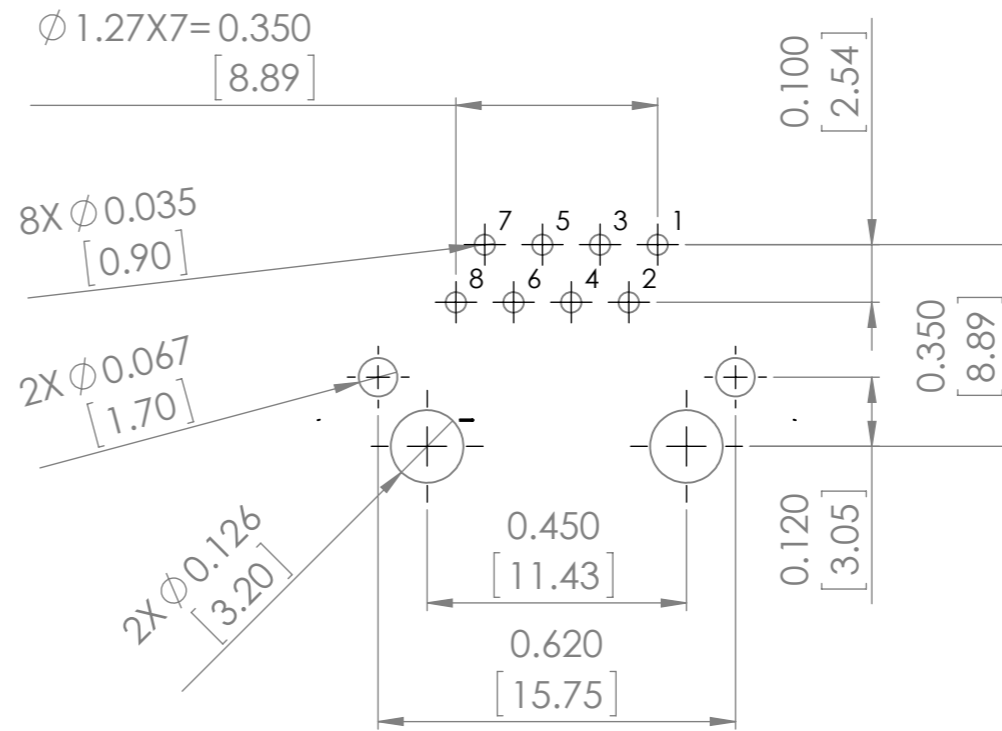
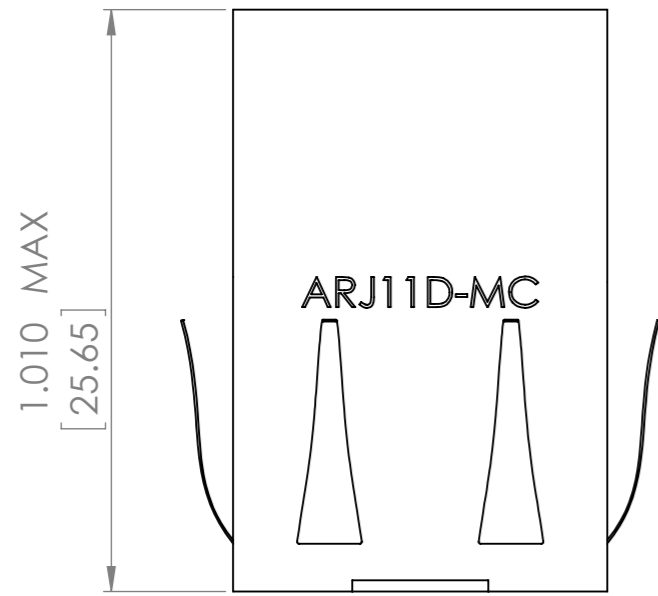
**Recommended Hole Pattern
View From Component Side**



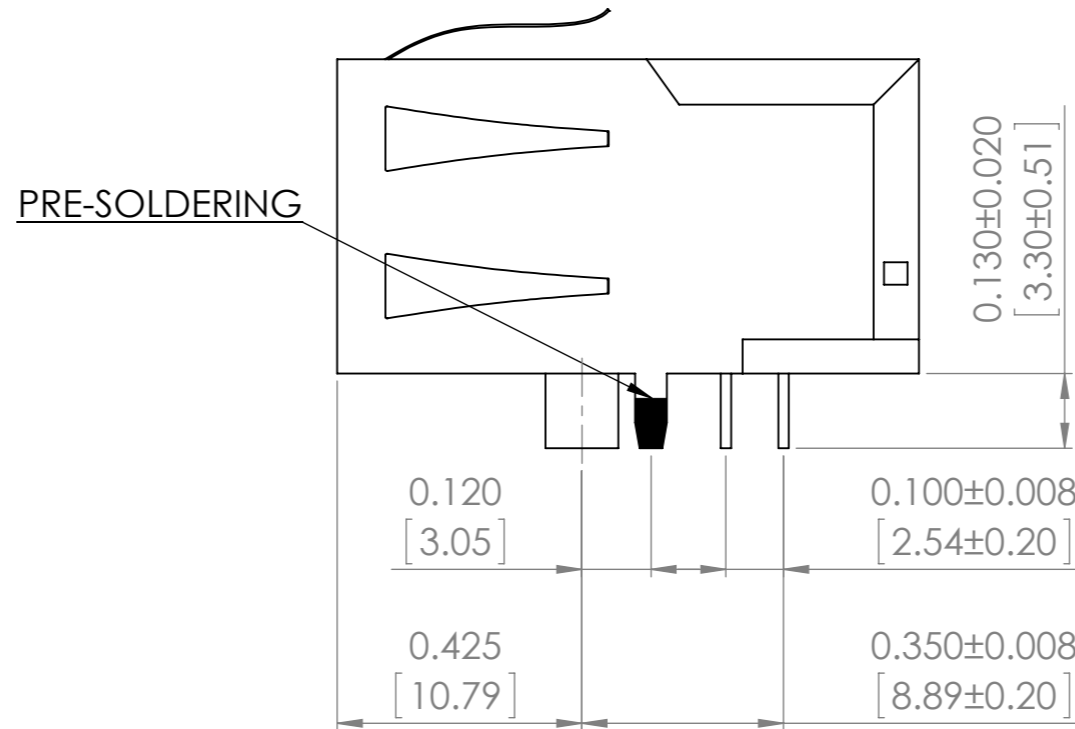
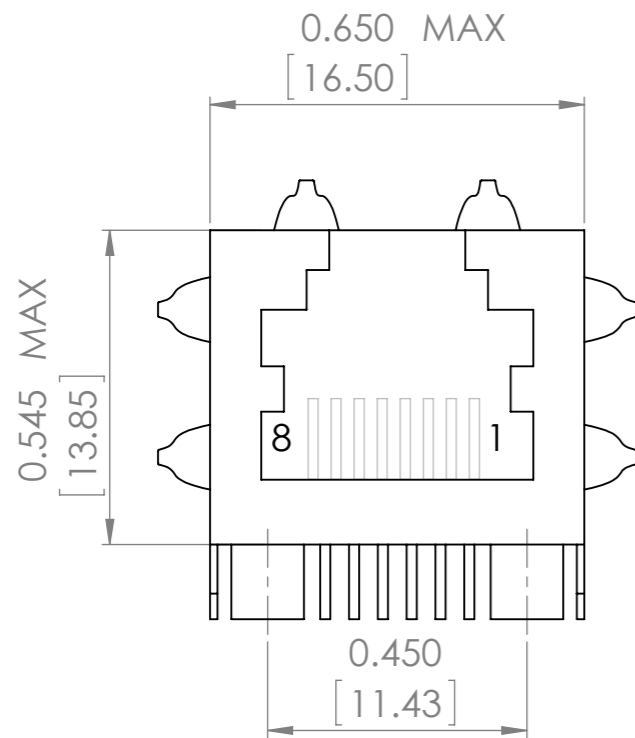
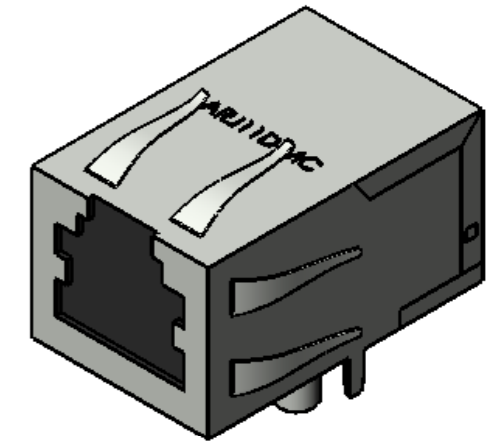
**TOP PACKAGE MARKING IS
FOR ILLUSTRATION PURPOSES ONLY**



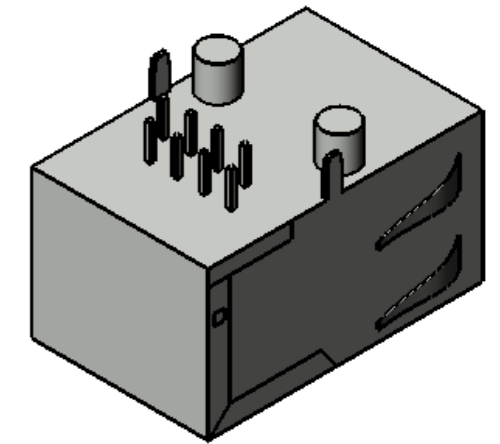
DO NOT SCALE DRAWING		REVISION -	
 Apracon LLC, 2 Faraday, Suite#B Irvine, Ca. 92618			
TITLE:		RJ45	
DWG NO.		ARJ11D-MB	A3
SCALE:3:1		SHEET 1 OF 1	




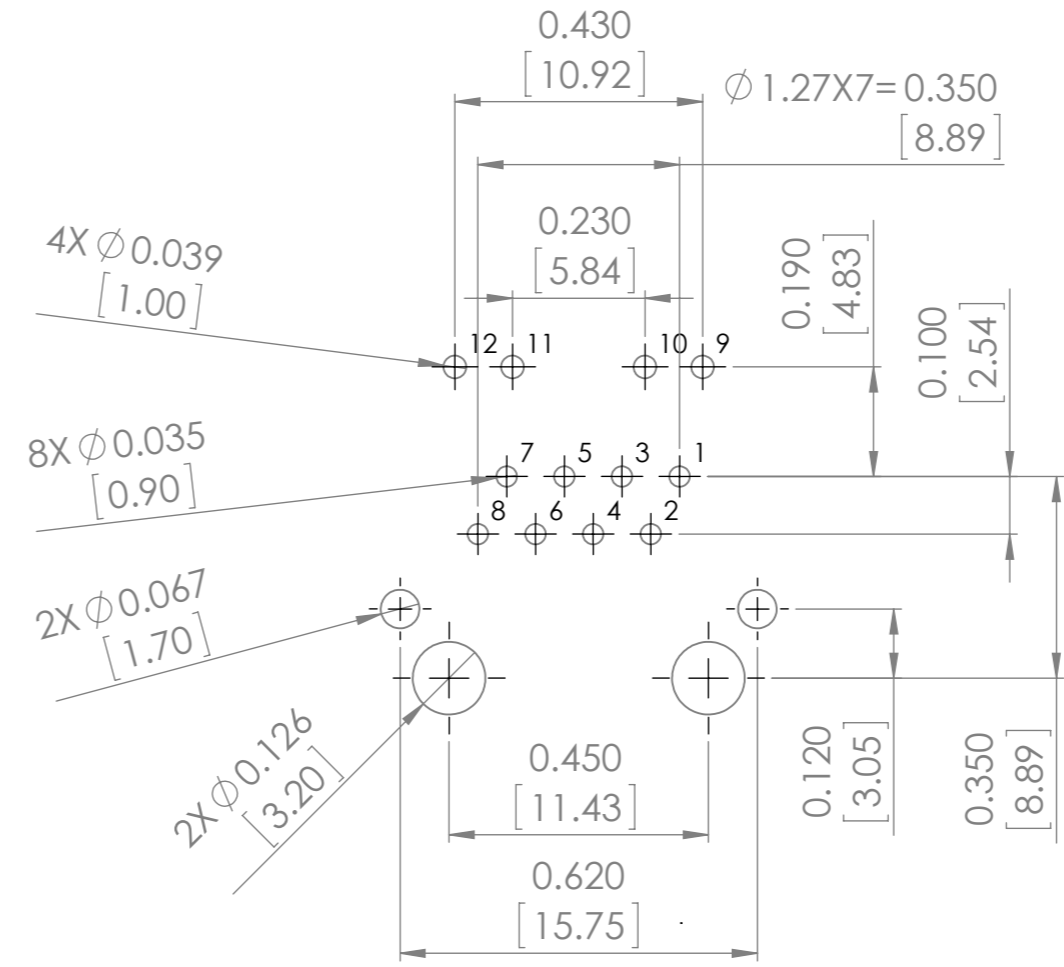
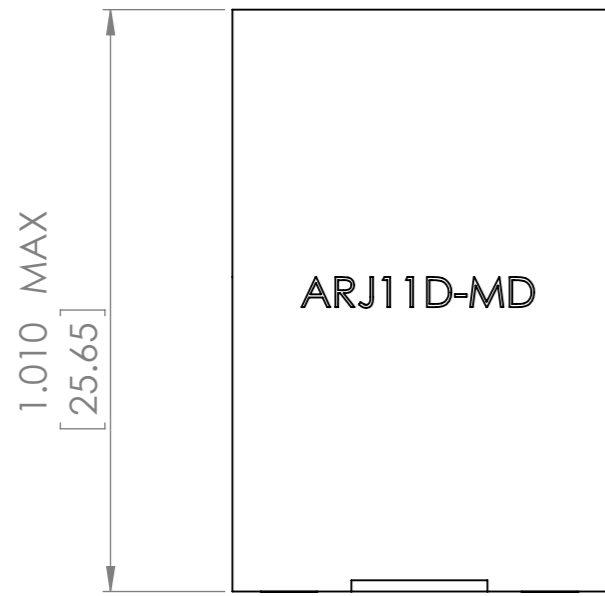
**Recommended Hole Pattern
View From Component Side**



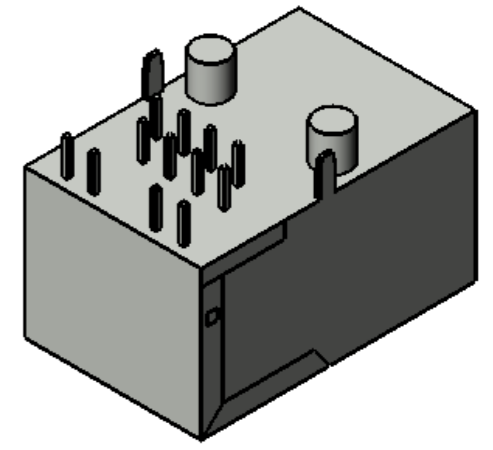
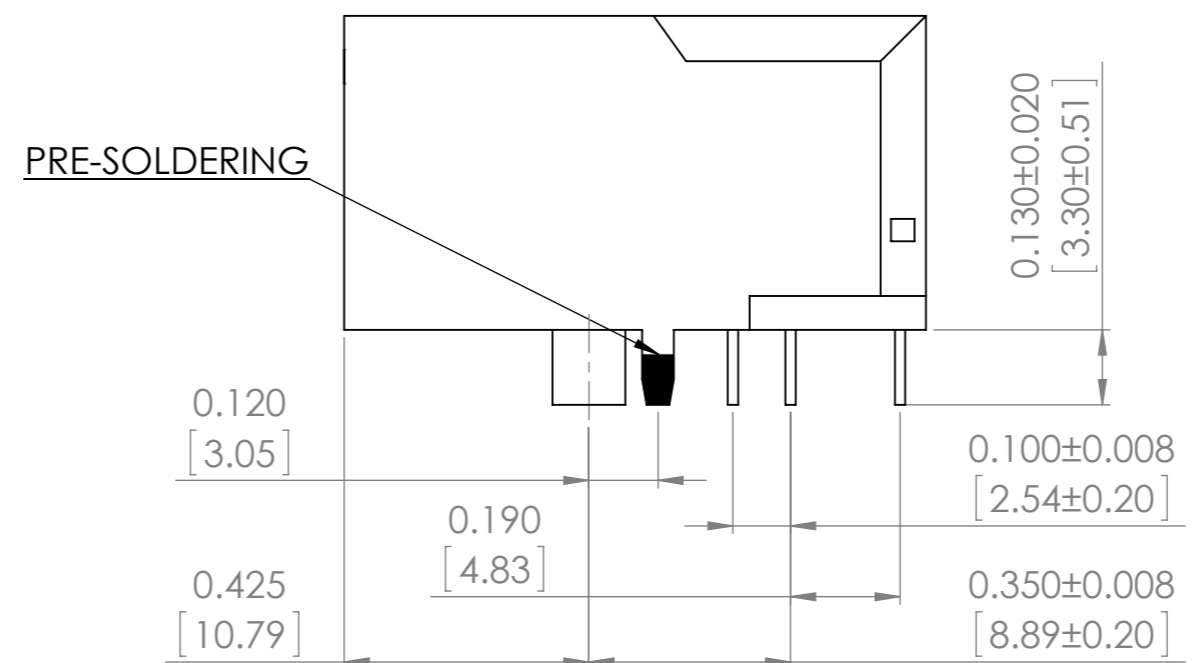
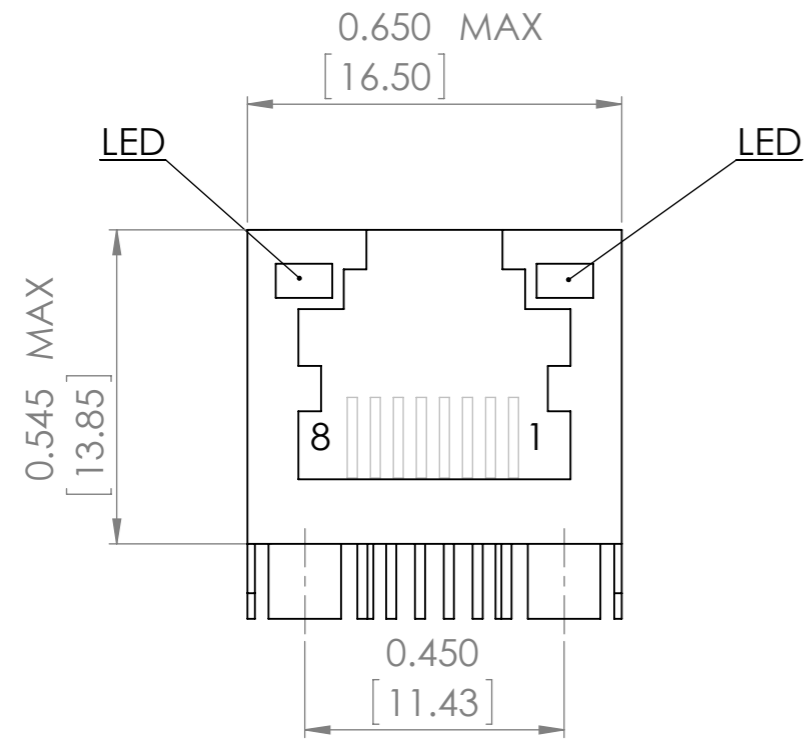
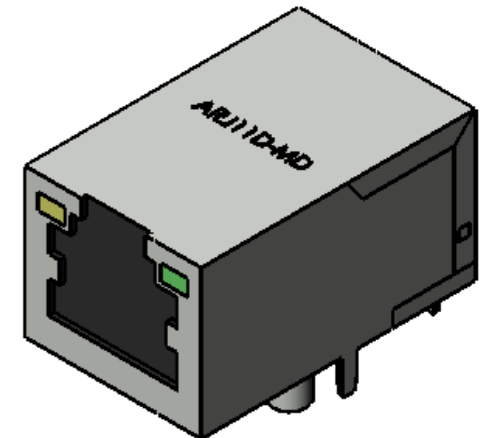
**TOP PACKAGE MARKING IS
FOR ILLUSTRATION PURPOSES ONLY**




DO NOT SCALE DRAWING		REVISION	-
 ABRACON [®] LLC <i>The Power of Linking Together</i>			
Apracon LLC, 2 Faraday, Suite#B Irvine, Ca. 92618			
TITLE:		RJ45	
DWG NO.	ARJ11D-MC		A3
SCALE:3:1	SHEET 1 OF 1		

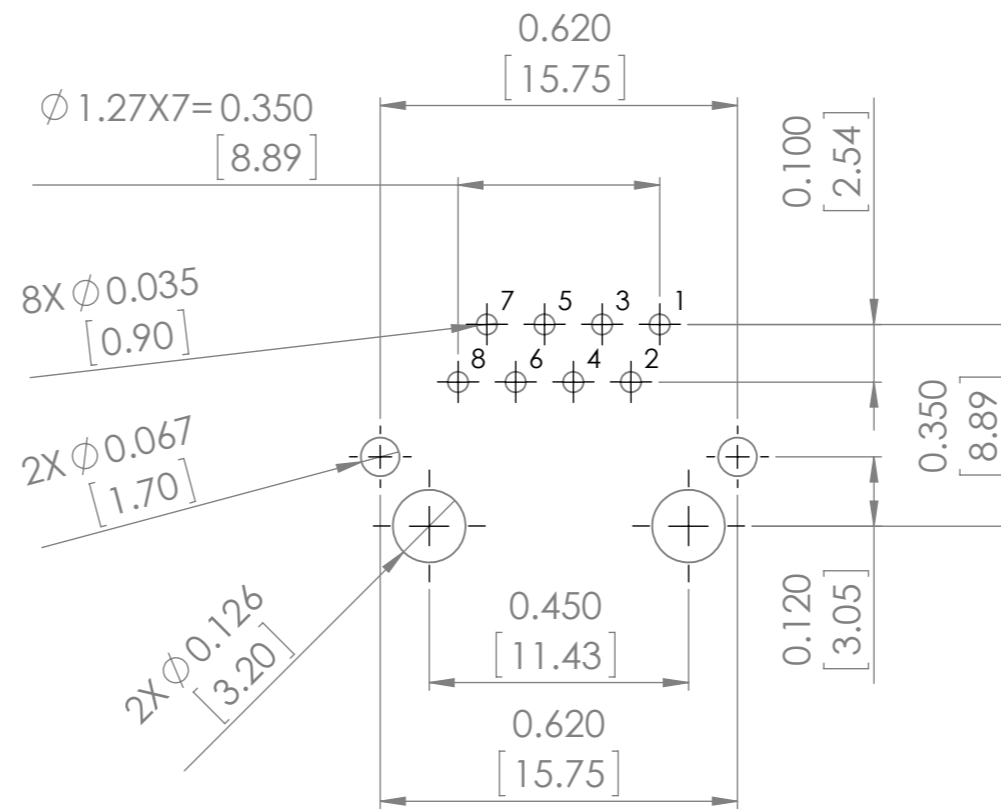
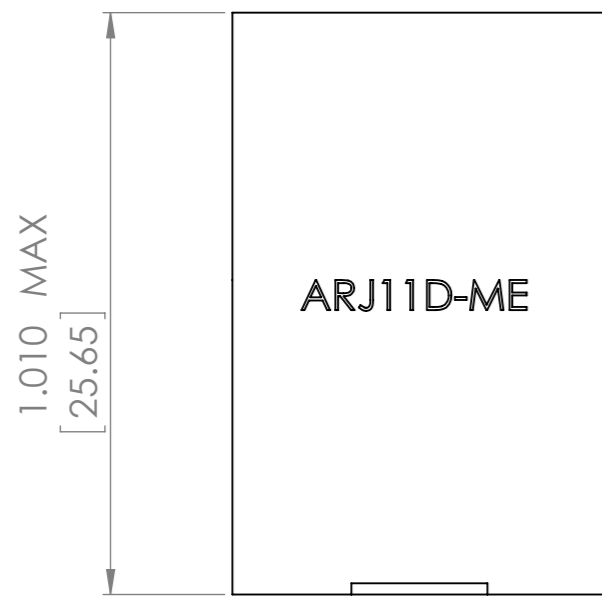


**Recommended Hole Pattern
View From Component Side**

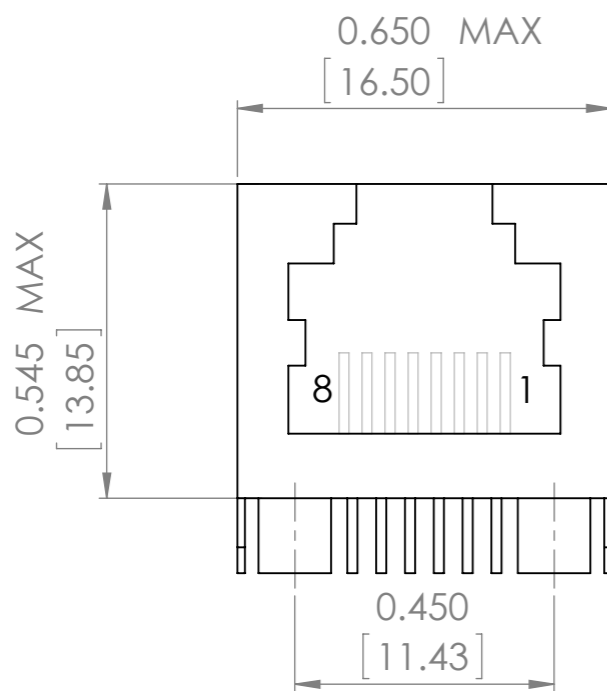
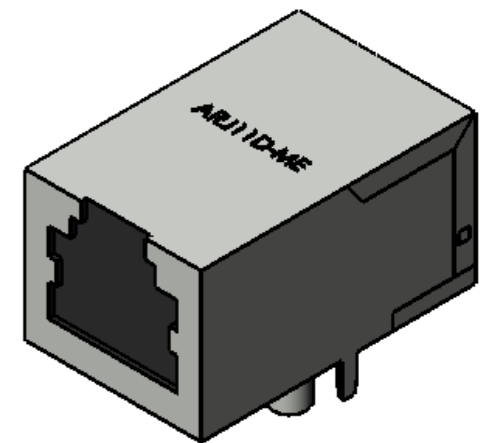


**TOP PACKAGE MARKING IS
FOR ILLUSTRATION PURPOSES ONLY**

DO NOT SCALE DRAWING		REVISION -	
 ABRACON LLC <small>The Power of Linking Together</small>			
Apracon LLC, 2 Faraday, Suite#B Irvine, Ca. 92618			
TITLE:		RJ45	
DWG NO.		ARJ11D-MD	A3
SCALE:3:1		SHEET 1 OF 1	

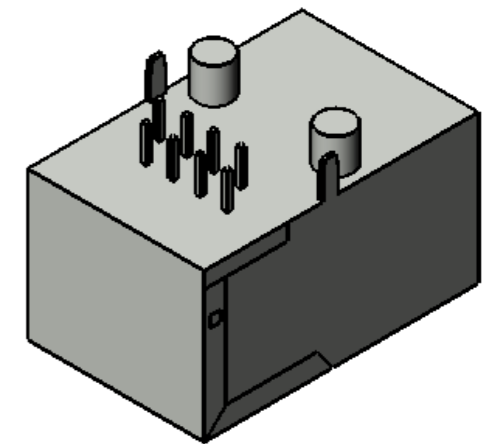
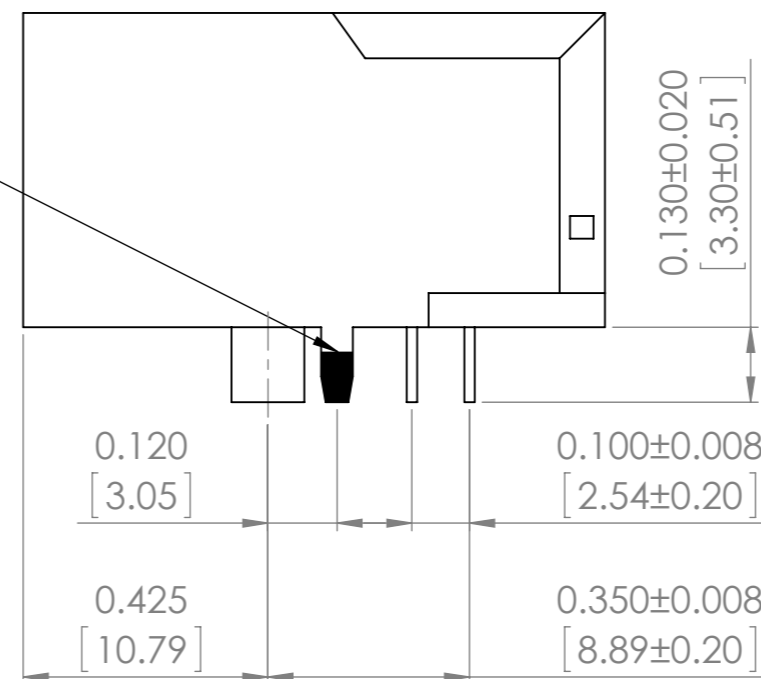



**Recommended Hole Pattern
View From Component Side**



**TOP PACKAGE MARKING IS
FOR ILLUSTRATION PURPOSES ONLY**

PRE-SOLDERING



DO NOT SCALE DRAWING		REVISION -	
 Apracon LLC, 2 Faraday, Suite#B Irvine, Ca. 92618			
TITLE:		RJ45	
DWG NO.		ARJ11D-ME	
SCALE:3:1		SHEET 1 OF 1	
		A3	