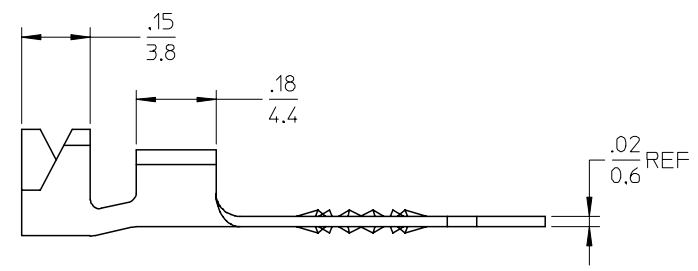
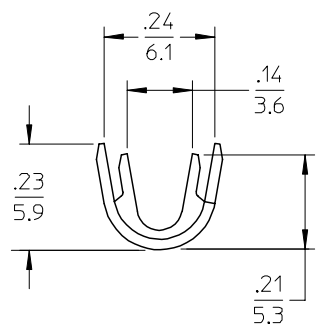
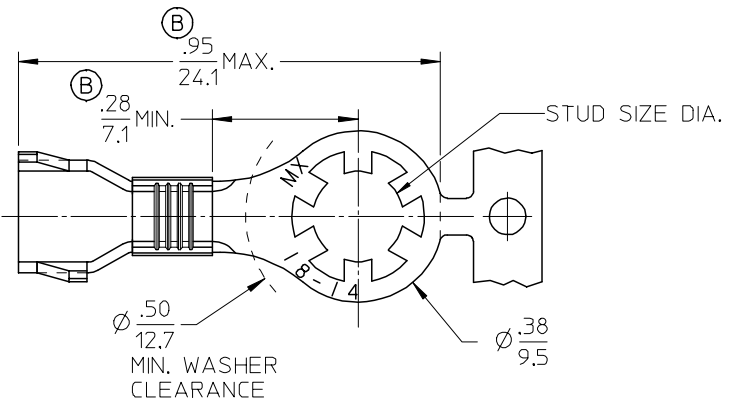


MATERIAL NO.	ENG. NO.	STUD SIZE	"S"±.003	MATERIAL	PLATING
190840001	SRZ-0129-06	6	.146/3.71	BRASS	NONE
190840002	SRZ-0129-08	8	.173/4.39		
190840003	SRZ-0129-10	10	.198/5.03	BRASS	TIN
190840004	SRZ-4129-06	6	.146/3.71		
190840005	SRZ-4129-08	8	.173/4.39		
190840006	SRZ-4129-10	10	.198/5.03	STEEL	
190840007	SRZ-S-4129-06	6	.146/3.71		
190840008	SRZ-S-4129-08	8	.173/4.39		
190840009	SRZ-S-4129-10	10	.198/5.03		



SALES DRAWING

NOTE(S):
 1. WIRE: SIZE: 18-14 AWG
 0.7 - 2.6 MM²

UPDATE TO MX STDS EC NO: ETC2001-0128 DRWNG: JYR/CK 2005/02/18 CHKD: JPAML/CK 2005/02/18 APPR: JPAML/CK 2005/02/18	DESCRIPTION REV	QUALITY SYMBOLS ▽=0 ▽=0	GENERAL TOLERANCES (UNLESS SPECIFIED)		DIMENSION STYLE	SCALE	DESIGN UNITS	THIRD ANGLE PROJECTION		
					IN/MM					
					mm	INCH	DRAWN BY	DATE	TITLE	
					4 PLACES ± --- ± ---		JHACKNEY	1995/05/05	OPEN BARREL STRIP STAR RING, VIBRAKRIMP 18-14 AWG	
		3 PLACES ± --- ± .005		CHECKED BY	DATE					
		2 PLACES ± 0.13 ± .01		RDEROSS	1995/05/05					
		1 PLACE ± 0.25 ± ---		APPROVED BY	DATE					
		ANGULAR ± 1/2°		RDEROSS	1995/05/05					
		DRAFT WHERE APPLICABLE MUST REMAIN WITHIN DIMENSIONS		MATERIAL NO.	DOCUMENT NO.					
				SEE CHART	SD-19084-001					
				SIZE	THIS DRAWING CONTAINS INFORMATION THAT IS PROPRIETARY TO MOLEX INCORPORATED AND SHOULD NOT BE USED WITHOUT WRITTEN PERMISSION					
				B			SHEET NO. 1 OF 1			