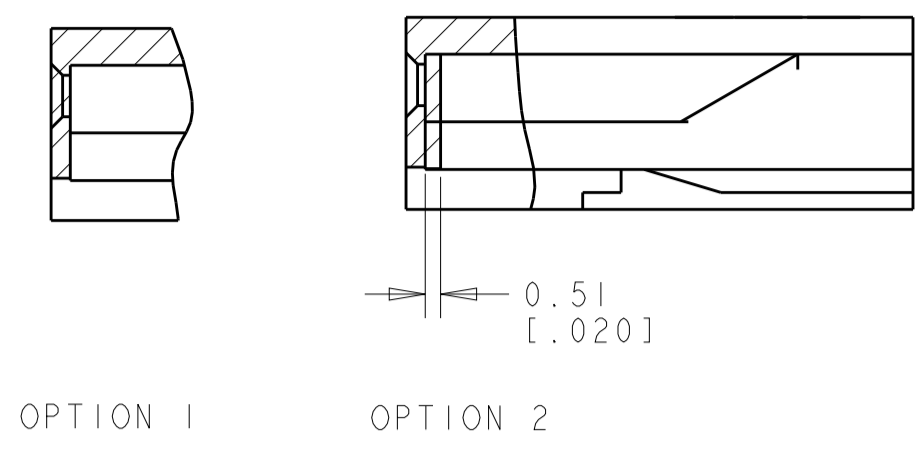
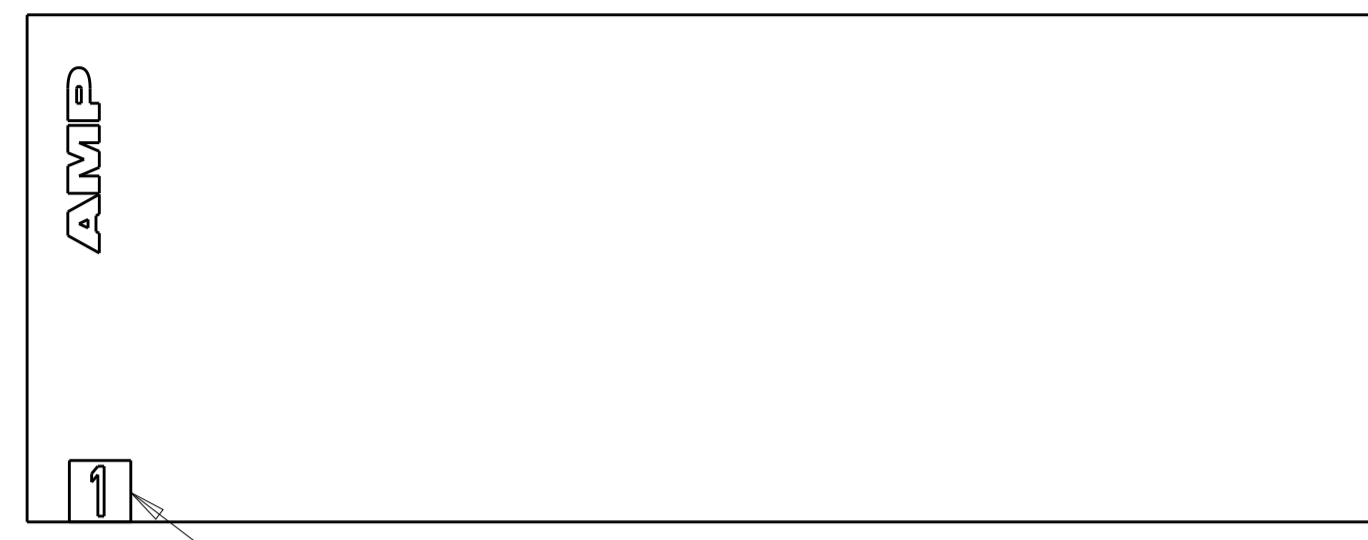
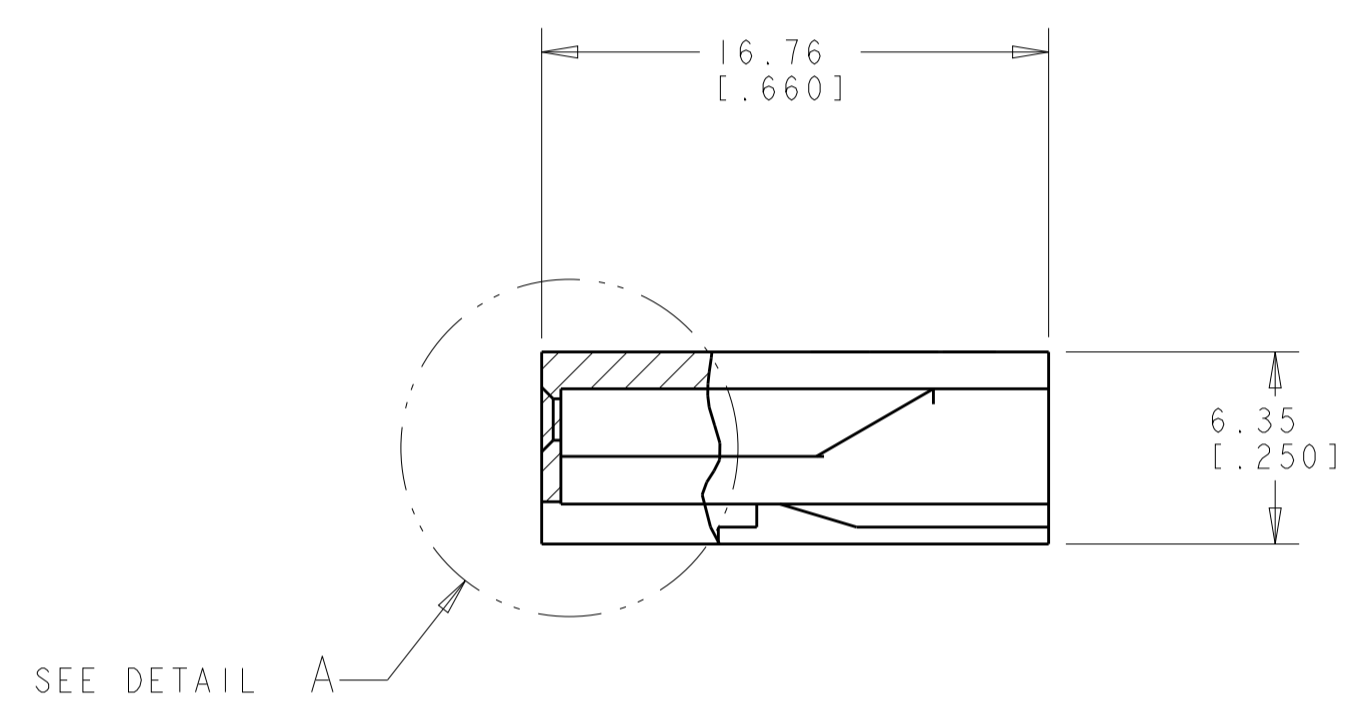
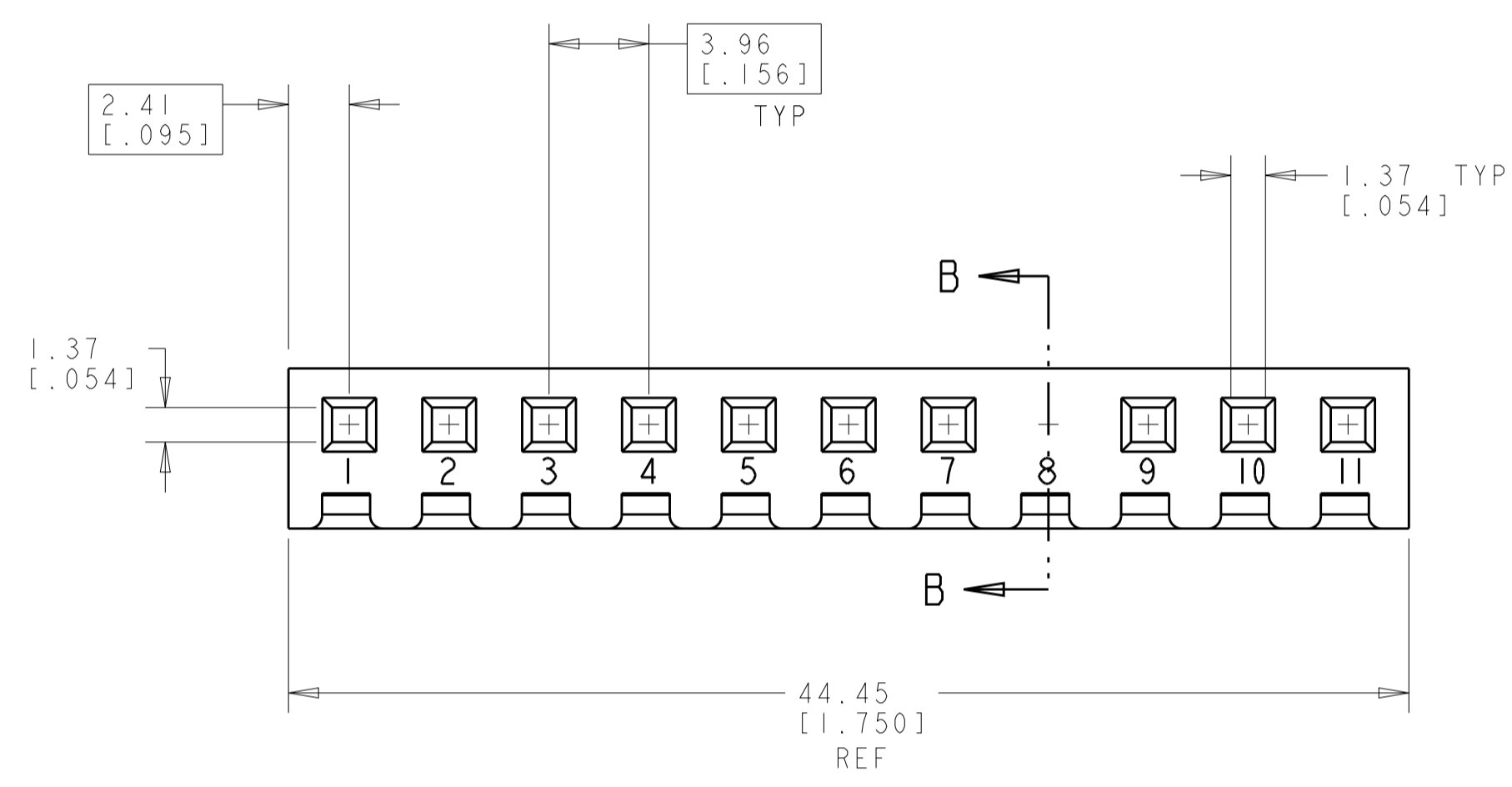


LOC	DIST	REVISIONS					
		P	LTN	DESCRIPTION	DATE	DWN	APVD
CM	00	B		REVISED PER ECO-12-007807	06AUG2012	KH	SM

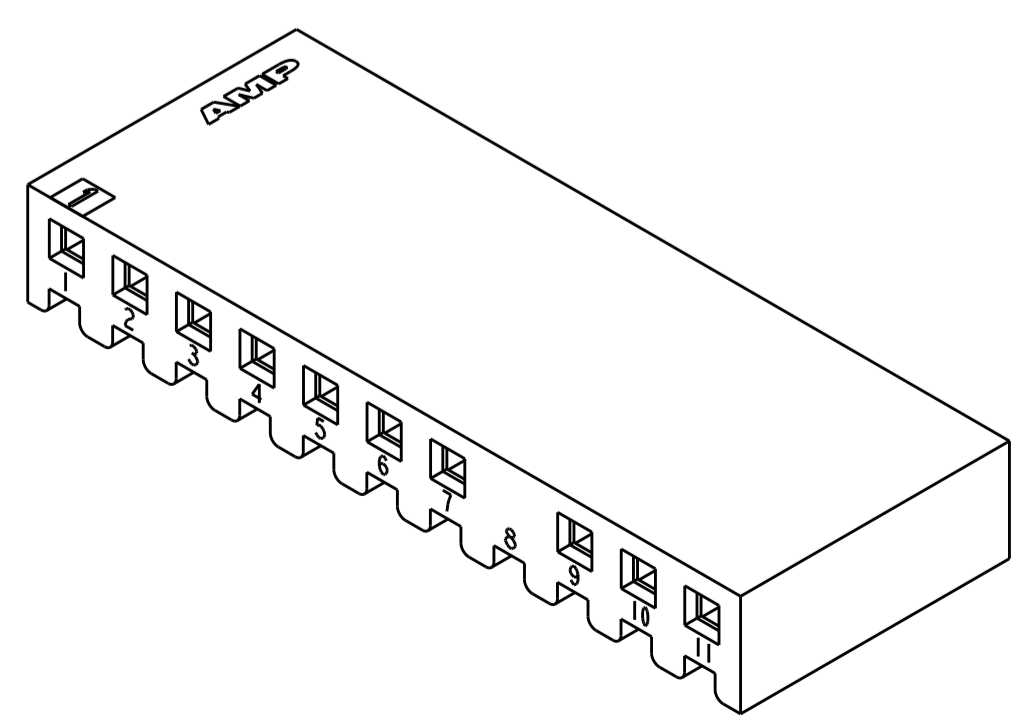
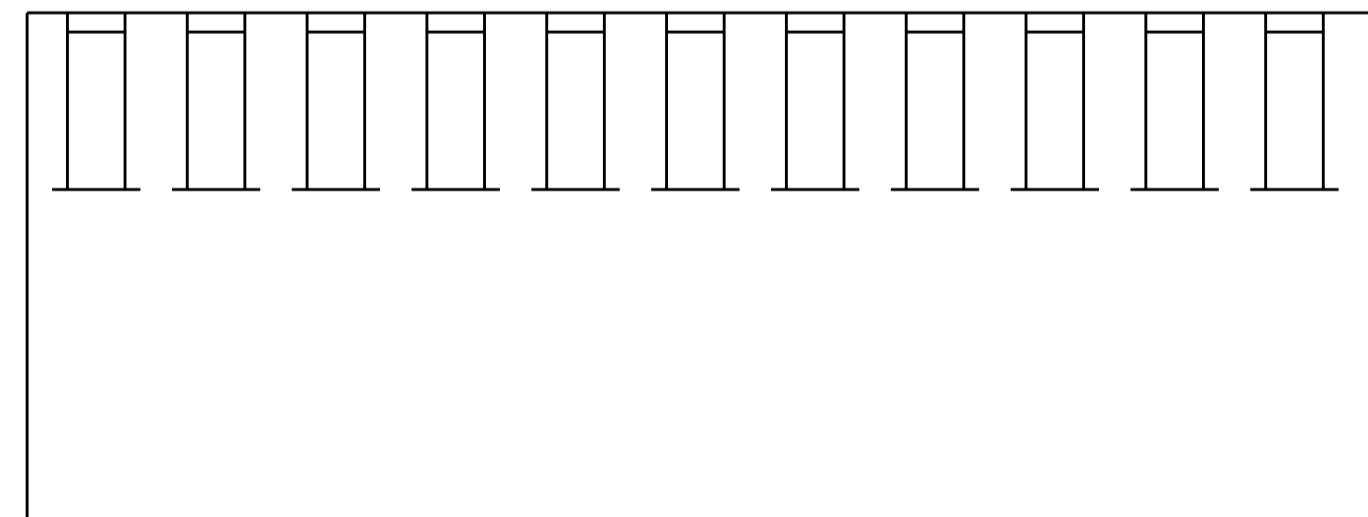
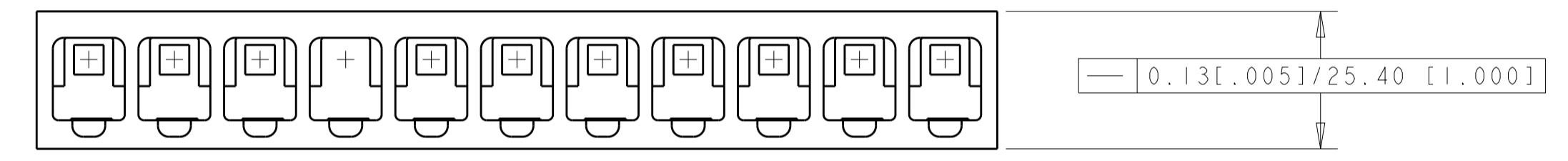


DETAIL A
 SCALE 4:1

- UNIT ACCEPTS 1.14 [0.045] SQUARE OR ROUND POST.
- UNIT ACCEPTS STANDARD SL-156 CONTACTS.
- UNIT ACCEPTS KEYING PLUG 640254-1 AND KEYING PIN 640255-1.
- CIRCUIT I.D. NUMBER(S) TO BE LOCATED SEQUENTIALLY AS SHOWN OR ONLY NO. 1 CIRCUIT PLACED ON LOCKING RAMP.
- DIMENSION IN BRACKETS ARE IN INCHES.
- DETAIL A SHOWS CIRCUIT 8 MOLDED CLOSED. EITHER OPTION 1 OR OPTION 2 MAY BE USED.
- ACCEPTS UP TO 2.79 [0.110] INSULATION WIRE.



SECTION B-B



3-DIMENSIONAL MODEL
 SCALE 3:1

11	1-647674-1
NO OF CIRCUITS	PART NUMBER

THIS DRAWING IS A CONTROLLED DOCUMENT.		DWN K. WHITAKER 11-FEB-04	TE Connectivity	
DIMENSIONS: mm [INCHES]		CHK J. ELLIS 11-FEB-04	NAME HOUSING, WITH LOCKING RAMP, SL-156, FOR LARGE WIRE INSULATION, CIRCUIT 8 BLOCKED	
TOLERANCES UNLESS OTHERWISE SPECIFIED:		APVD J. ELLIS 11-FEB-04	PRODUCT SPEC	
0 PLC ±		APPLICATION SPEC		
1 PLC ±0.13 [0.005]		SIZE CAGE CODE DRAWING NO RESTRICTED TO		
2 PLC ±		A100779C=647674		
3 PLC ±		WEIGHT		
4 PLC ±		CUSTOMER DRAWING		
ANGLES 40°/30°		SCALE 4:1 SHEET 1 OF 1 REV B		
MATERIAL NYLON, UL94V-0 NATURAL		FINISH		