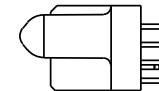
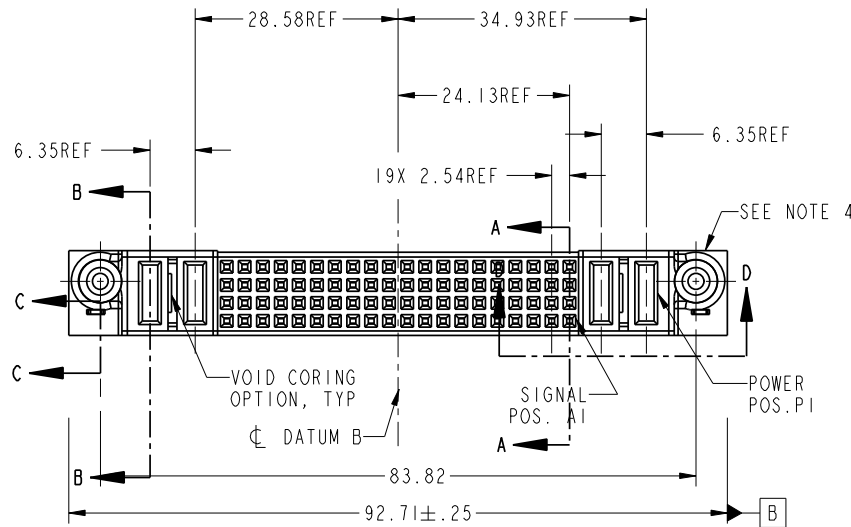


Tous droits strictement réservés. Reproduction ou communication a des tiers interdite sous quelque forme que ce soit sans autorisation écrite du propriétaire. Propriété de c FCI. Droits de reproduction FCI.



All rights strictly reserved. Reproduction or issue to third parties in any form whatever is not permitted without written authority from the proprietor. Property of FCI. Copyright FCI.

| PRODUCT NO.            | ROW S            | POWER |    | SIGNAL |    |    |    |    |    |    |    |    |    |    |    |    |    |    |    | POWER |    |    |    |    |    |    |    |  |
|------------------------|------------------|-------|----|--------|----|----|----|----|----|----|----|----|----|----|----|----|----|----|----|-------|----|----|----|----|----|----|----|--|
|                        |                  | E2    | P4 | P3     | 20 | 19 | 18 | 17 | 16 | 15 | 14 | 13 | 12 | 11 | 10 | 9  | 8  | 7  | 6  | 5     | 4  | 3  | 2  | 1  | P2 | P1 | E1 |  |
| 51750-033--<br>NOTE: 3 | D<br>C<br>B<br>A |       | PA | PD     | EE | EE | EE | EE | EE | EE | EE | EE | EE | EE | EE | EE | EE | EE | EE | EE    | EE | EE | EE | EE | EE | PD | PA |  |



| CODE | DIM "M" MATING LENGTH | CONTACT TYPE |
|------|-----------------------|--------------|
| E    | [N/A]                 | SIGNAL       |
| PA   | [1.07]                | POWER        |
| PD   | [2.34]                | POWER        |
| HA   | [N/A]                 | HOLD-DOWN    |

|             |           |       |          |          |              |          |  |                                       |  |                            |  |                  |  |     |  |
|-------------|-----------|-------|----------|----------|--------------|----------|--|---------------------------------------|--|----------------------------|--|------------------|--|-----|--|
| mat'l code  |           |       |          | SEE NOTE |              |          |  | tolerances unless otherwise specified |  |                            |  | CUSTOMER         |  | FCI |  |
| ltr         | ecn no.   | dr    | date     | linear   | 0.X ±0.3     |          |  | COPY                                  |  | www.fciconnect.com         |  |                  |  |     |  |
| A           | V21056    | DA1   | 06/13/02 |          | 0.XX ±0.13   |          |  | projection                            |  | title 2P + 80S + 2P        |  |                  |  |     |  |
| B           | V21494    | TAB   | 09/18/02 |          | 0.XXX ±0.051 |          |  |                                       |  | VERTICAL SOLDER RECEPTACLE |  |                  |  |     |  |
| C           | DG07-0157 | JUL1A | 04/17/07 | angles   | 0° ±2°       |          |  |                                       |  | product family PwrBlade    |  | code 213         |  |     |  |
|             |           |       |          | dr       | D. INGRAM    | 06/13/02 |  | MM                                    |  | product size               |  | dwg no 51750-033 |  |     |  |
|             |           |       |          | engr     | M. MOSTOLLER | 06/13/02 |  | 1:1                                   |  | sheet 1 of 4               |  |                  |  |     |  |
|             |           |       |          | chr      | M. MOSTOLLER | 06/12/02 |  |                                       |  |                            |  |                  |  |     |  |
|             |           |       |          | appd     | M. MOSTOLLER | 06/12/02 |  |                                       |  |                            |  |                  |  |     |  |
| sheet index | revision  | C     | C        | C        | C            |          |  |                                       |  |                            |  |                  |  |     |  |
|             | sheet     | 1     | 2        | 3        | 4            |          |  |                                       |  |                            |  |                  |  |     |  |

cage code 22526

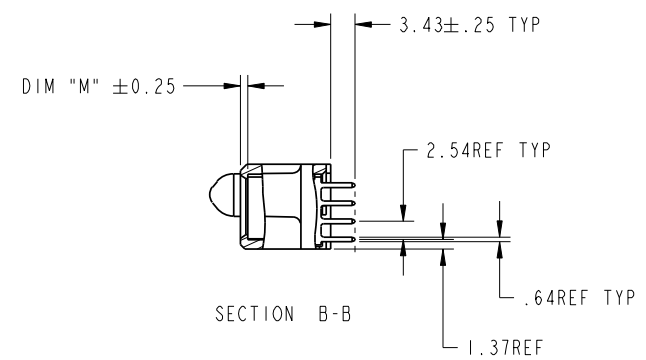
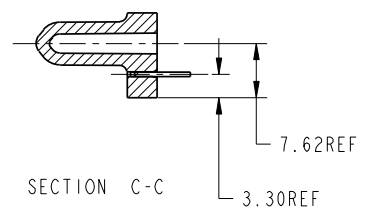
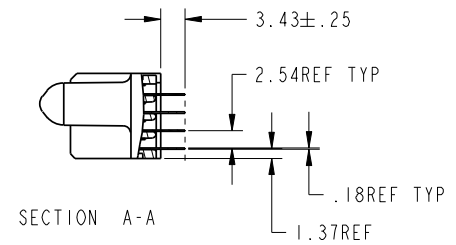
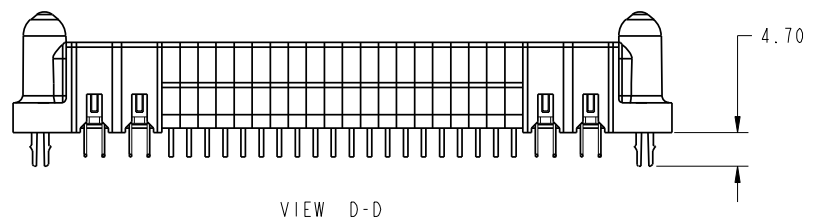
Pro/E

Tous droits strictement reserves. Reproduction ou communication a des tiers interdite sous quelque forme que ce soit sans autorisation ecrite du proprietaire. Propriete de c FCI. Droits de reproduction FCI.



All rights strictly reserved. Reproduction or issue to third parties in any form whatever is not permitted without written authority from the proprietor. Property of FCI. Copyright FCI.

PRODUCT NUMBER  
51750-033--  
NOTE: 3



|             |                |    |      |          |                      |                                       |  |                |  |                    |  |
|-------------|----------------|----|------|----------|----------------------|---------------------------------------|--|----------------|--|--------------------|--|
| mat'l code  |                |    |      | SEE NOTE |                      | tolerances unless otherwise specified |  | CUSTOMER       |  | FCI                |  |
| lfr         | ecn no.        | dr | date | linear   | 0.X ± 0.3            | projection                            |  | COPY           |  | www.fciconnect.com |  |
| C           |                |    |      | angles   | 0.XX ± 0.13          | MM                                    |  | title          |  | 2P + 80S + 2P      |  |
|             |                |    |      | dr       | 0.XXX ± 0.051        | 1:1                                   |  | product family |  | PwrBlade           |  |
|             |                |    |      | enrg     | 0° ± 2°              | scale                                 |  | size           |  | code               |  |
|             |                |    |      | chr      | D. INGRAM 06/13/02   | A                                     |  | dwg no         |  | 213                |  |
|             |                |    |      | appd     | M.MOSTOLLER 06/13/02 |                                       |  | 51750-033      |  | sheet              |  |
|             |                |    |      |          | M.MOSTOLLER 06/12/02 |                                       |  |                |  | 2 of 4             |  |
| sheet index | revision sheet |    |      |          |                      |                                       |  |                |  |                    |  |

cage code 22526

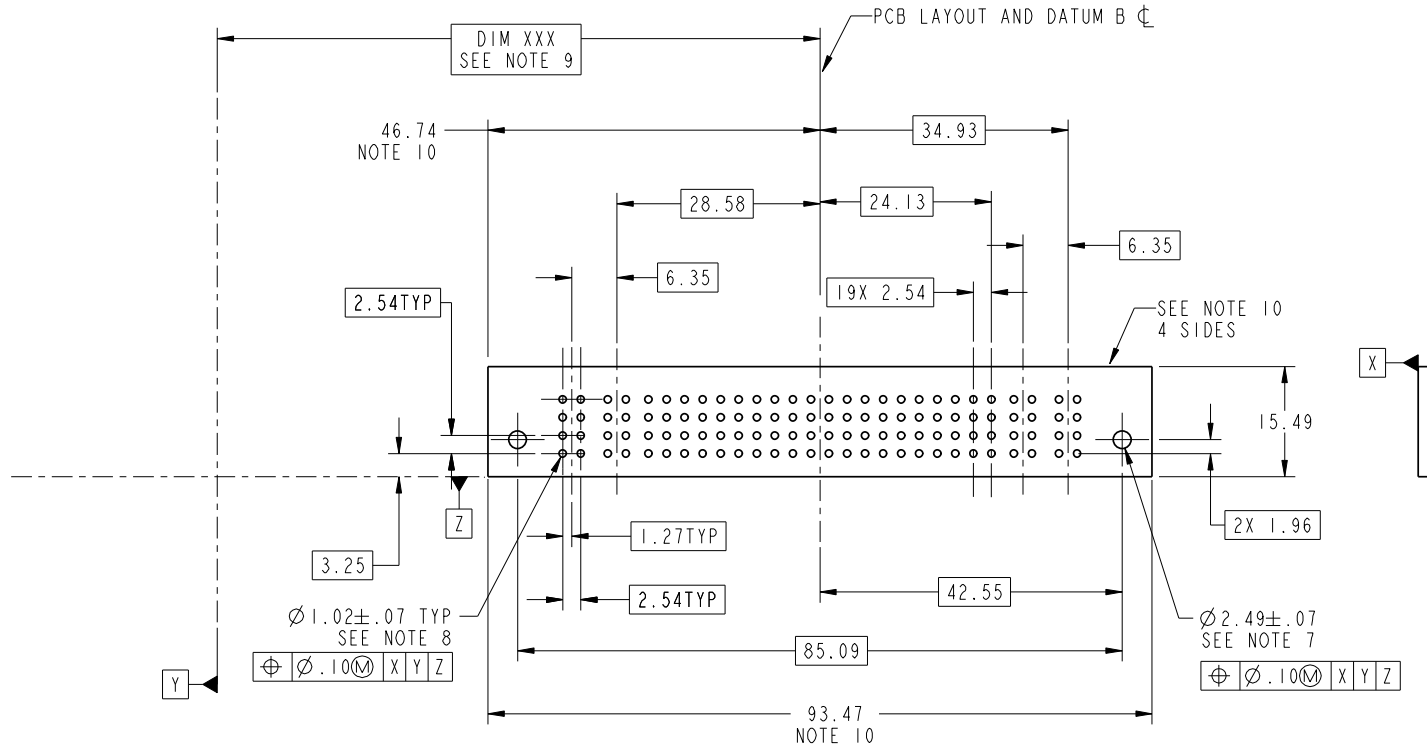
Pro/E

Tous droits strictement reserves. Reproduction ou communication a des tiers interdite sous quelque forme que ce soit sans autorisation ecrite du proprietaire. Propriete de c FCI. Droits de reproduction FCI.



All rights strictly reserved. Reproduction or issue to third parties in any form whatever is not permitted without written authority from the proprietor. Property of FCI. Copyright FCI.

PRODUCT NUMBER  
51750-033--  
NOTE: 3



|             |         |                |      |                                       |                       |          |  |            |  |                            |  |
|-------------|---------|----------------|------|---------------------------------------|-----------------------|----------|--|------------|--|----------------------------|--|
| mat'l code  |         | SEE NOTE       |      | tolerances unless otherwise specified |                       | CUSTOMER |  | FCI        |  | www.fciconnect.com         |  |
| lfr         | ecr no. | dr             | date | linear                                | 0.X ± 0.3             | COPY     |  | projection |  | title                      |  |
| C           |         |                |      |                                       | 0.XX ± 0.13           |          |  |            |  | 2P + 80S + 2P              |  |
|             |         |                |      | angles                                | 0.XXX ± 0.051         |          |  |            |  | VERTICAL SOLDER RECEPTACLE |  |
|             |         |                |      | dr                                    | 0° ± 2°               |          |  |            |  | product family             |  |
|             |         |                |      | enrg                                  | D. INGRAM 06/13/02    | MM       |  |            |  | PwrBlade                   |  |
|             |         |                |      | chr                                   | M. MOSTOLLER 06/13/02 | scale    |  |            |  | code                       |  |
|             |         |                |      | appd                                  | M. MOSTOLLER 06/12/02 | 1:1      |  |            |  | 213                        |  |
| sheet index |         | revision sheet |      |                                       |                       |          |  |            |  | sheet                      |  |
|             |         |                |      |                                       |                       |          |  |            |  | 3 of 4                     |  |

cage code 22526

Pro/E

Tous droits strictement réservés. Reproduction ou communication a des tiers interdite sous quelque forme que ce soit sans autorisation écrite du propriétaire. Propriété de c FCI. Droits de reproduction FCI.



All rights strictly reserved. Reproduction or issue to third parties in any form whatever is not permitted without written authority from the proprietor. Property of FCI. Copyright FCI.

PRODUCT NUMBER  
51750-033--  
NOTE: 3

NOTES:

1. DIMENSIONS AND TOLERANCES ARE IN ACCORDANCE WITH ASME Y14.5M, 1994 UNLESS OTHERWISE SPECIFIED.

CONNECTOR NOTES:

- 2. HOUSING MATERIAL: UL 94 V-0 GLASS FILLED HIGH-TEMP THERMOPLASTIC  
POWER CONTACT MATERIAL: COPPER ALLOY  
SIGNAL PIN MATERIAL: COPPER ALLOY
- 3. PLATING SPEC.  
51750-033,51750-033LF PLATING SPEC. WAS SHOWN IN THE PRINT OF 10064183.
- 4. MANUFACTURER'S NAME, P/N, AND DATE CODE TO APPEAR ON THIS SURFACE.
- 5. PRODUCT SPECIFICATION GS-12-149.  
APPLICATION SPECIFICATION BUS-20-067.

PCB NOTES:

- 6. ALL HOLE DIAMETERS ARE FINISHED HOLE SIZE.
- 7. MOUNTING HOLES, WHERE APPLICABLE, ARE UNPLATED.
- 8.  $\varnothing 1.151 \pm 0.025$  DRILLED HOLES PLATED WITH 0.008 MIN SnPb OR Sn OVER 0.03 TO 0.08 Cu PLATING TO ACHIEVE  $\varnothing 1.02 \pm 0.07$  HOLE.
- 9. "DIM XXX" TO BE DETERMINED BY THE CUSTOMER.
- 10. CONNECTOR KEEP-OUT ZONE.

|             |         |                |      |          |                      |                                       |  |                |  |                            |  |                    |  |
|-------------|---------|----------------|------|----------|----------------------|---------------------------------------|--|----------------|--|----------------------------|--|--------------------|--|
| mat'l code  |         |                |      | SEE NOTE |                      | tolerances unless otherwise specified |  | CUSTOMER       |  | FCI                        |  | www.fciconnect.com |  |
| lfr         | ecr no. | dr             | date | linear   | 0.X ±0.3             | COPY                                  |  | projection     |  | title                      |  |                    |  |
| c           |         |                |      |          | 0.XX ±0.13           |                                       |  |                |  | 2P + 80S + 2P              |  |                    |  |
|             |         |                |      | angles   | 0.XXX ±0.051         |                                       |  |                |  | VERTICAL SOLDER RECEPTACLE |  |                    |  |
|             |         |                |      | dr       | D. INGRAM 06/13/02   |                                       |  | product family |  | PwrBlade                   |  | code               |  |
|             |         |                |      | enrg     | M.MOSTOLLER 06/13/02 |                                       |  | size           |  | dwg no                     |  | 213                |  |
|             |         |                |      | chr      | M.MOSTOLLER 06/12/02 |                                       |  | scale          |  | 51750-033                  |  | sheet              |  |
|             |         |                |      | appd     | M.MOSTOLLER 06/12/02 |                                       |  | 1:1            |  | A                          |  | 4 of 4             |  |
| sheet index |         | revision sheet |      |          |                      |                                       |  |                |  |                            |  |                    |  |

cage code 22526

Pro/E