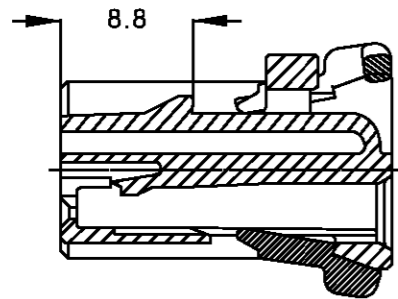
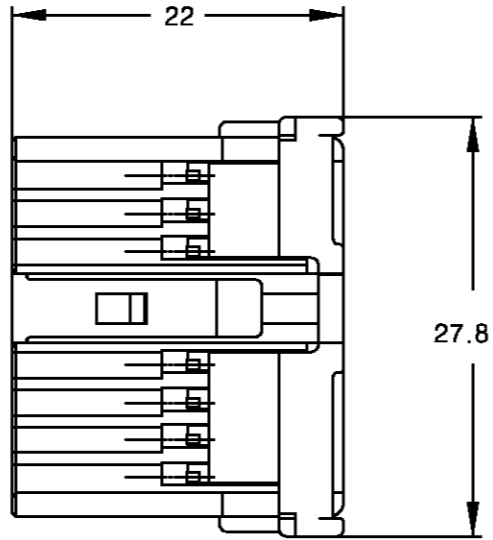
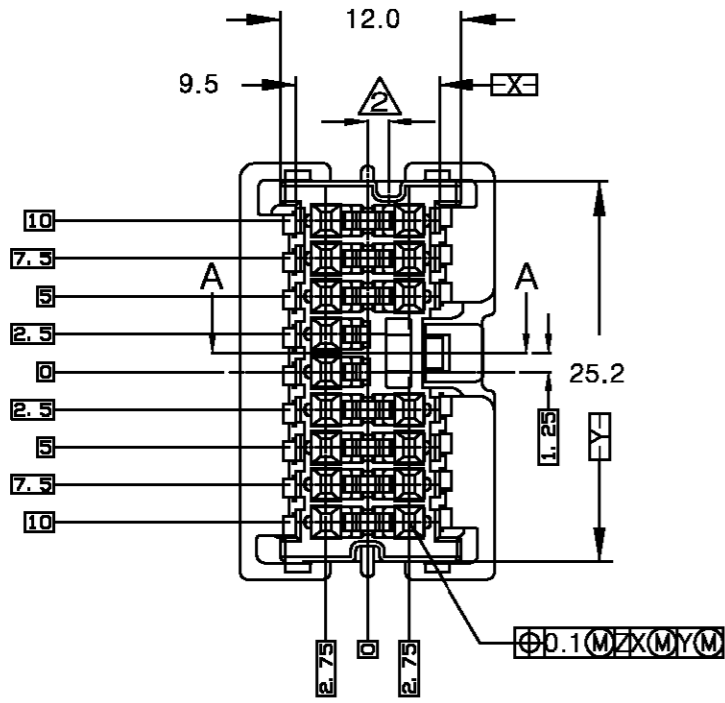


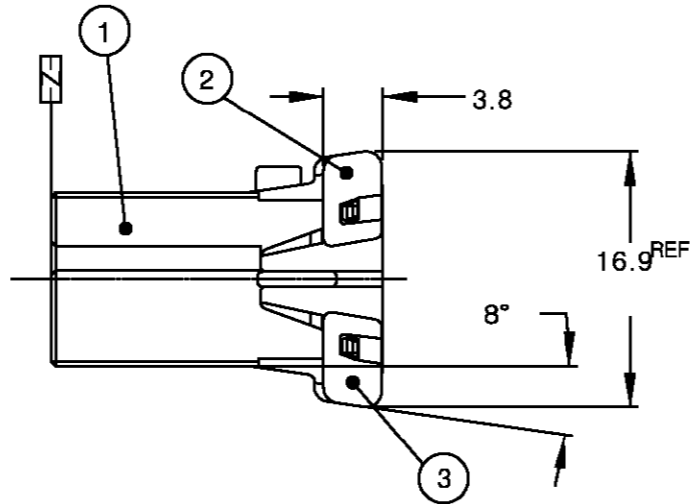
LOC	DIST	REVISIONS					
		P	LTR	DESCRIPTION	DATE	DWN	APVD
DS			O	RELEASED(FC00-0039-03)	27/MAR/'03	HS	CS
			A	REVISED(FC00-0101-03)	19/JUL/'03	HS	CS
			B	REVISED(ECR-05-009378)	22/AUG/'05	IS	JK

NOTES:

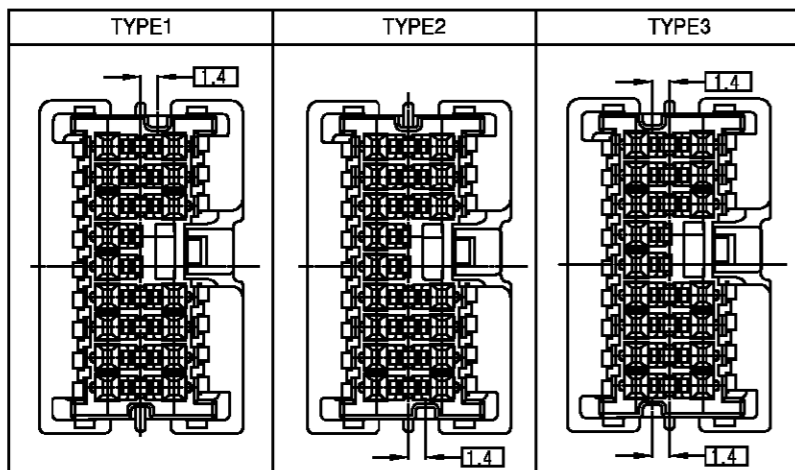
- 1. PLATE MUST BE COMPLETELY PRE-ASSEMBLED
  - △ KEY CODE : REFER TO THE TABLE
  - 3. APPLICABLE CONTACT P/N: 316836-1, 316838-1
  - 4. THE MATING HSG P/N ; 936497
- 주기
- 1. PLATE는 그림과 같이 1차 locking 상태로 공급되어짐.
  - △ KEY CODE : TABLE 참조
  - 3. 적용 TML P/N: 316836-1, 316838-1
  - 4. 상대하우징 P/N ; 936497



SECTION A-A



< KEY CODE >



ITEM NO	PARTS NO	MATERIAL	NAME	FINISH/COLOR	KEY CODE	ASS'Y P/N								
						936471-8	936471-7	936471-6	936471-5	936471-4	936471-3	936471-2	936471-1	
③	936491-2		16Pos.DBL LOCK PLATE(A)	BLACK	-	1	1	1	1	1	1	1	1	1
②	936492-2		16Pos.DBL LOCK PLATE(B)	BLACK	-	1	1	1	1	1	1	1	1	1
①	936472-8			BLUE	1	1	-	-	-	-	-	-	-	-
	936472-7			GREEN	1	-	1	-	-	-	-	-	-	-
	936472-6			RED	1	-	-	1	-	-	-	-	-	-
	936472-5			YELLOW	1	-	-	-	1	-	-	-	-	-
	936472-4			BROWN	2 △	-	-	-	-	1	-	-	-	-
	936472-3			GRAY	3 △	-	-	-	-	-	1	-	-	-
	936472-2			BLACK	1	-	-	-	-	-	-	1	-	-
	936472-1	PBT	16Pos.PLUG HSG	NATURAL	1	-	-	-	-	-	-	-	1	

THIS DRAWING IS A CONTROLLED DOCUMENT FOR TYCO ELECTRONICS CORPORATION. IT IS SUBJECT TO CHANGE AND THE CONTROLLING ENGINEERING ORGANIZATION SHOULD BE CONTACTED FOR THE LATEST REVISION.

DWN : IS WOO  
CHK : BM JANG  
APVD : JK SONG

DIMENSIONS: MM  
TOLERANCES UNLESS OTHERWISE SPECIFIED:  
0 <XX<10 ± 0.2  
10 <XX<30 ± 0.25  
30 <XX ± 0.3  
ANGLES ± 3°

3rd ANGLE PROJECTION

MATERIAL: SEE NOTE  
FINISH:

**tyco** AMP KOREA. kyungsan, korea  
**Electronics**

NAME: 16Pos. PLUG HOUSING ASS'Y 040 III MLC CONN.

SIZE: A3 CAGE CODE: 00779 DRAWING NO: 936471 RESTRICTED TO: [ ]

SCALE: 2/1 SHEET: 1 OF 1 REV: B