

CODE	DIM "M" MATING LENGTH	CONTACT TYPE
PE	[1.07]	POWER
S	[N/A]	SIGNAL
R	[N/A]	SIGNAL
P	[N/A]	SIGNAL
N	[N/A]	SIGNAL
HA	[N/A]	HOLD-DOWN

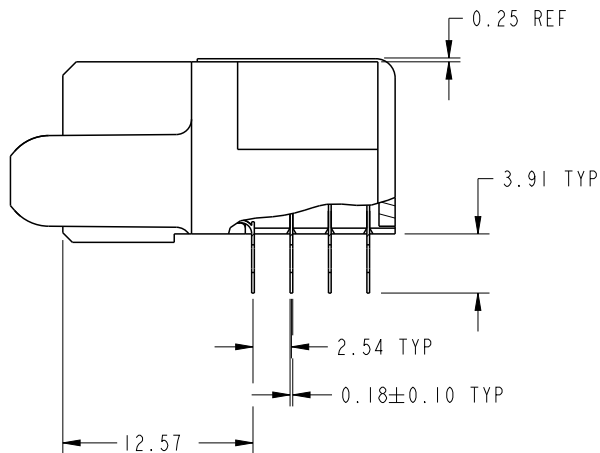
spec ref	See notes			dr	X Q Wang	2012/02/22	projection 	MM ←→	size	A4	scale	1:1
tolerance std	TOLERANCES UNLESS OTHERWISE SPECIFIED			eng	X Q Wang	2012/02/27			ecn no	-		
See notes				chr	-	-						
surface	linear	0.X	±0.50	FCI	www.fci.com	title	6P + 24S R/A SOLDER RECEPTACLE	dwg no	51866-051	rev	A	
		0.XX	±0.25									
		0.XXX	±0.10									
	angular	0°	±2°	apppr		Pei-Ming Zheng	2012/02/27	product family	PwrBlade		rel level	Released
				cat. no.			Product - Customer Drw			sheet 1 of 4		



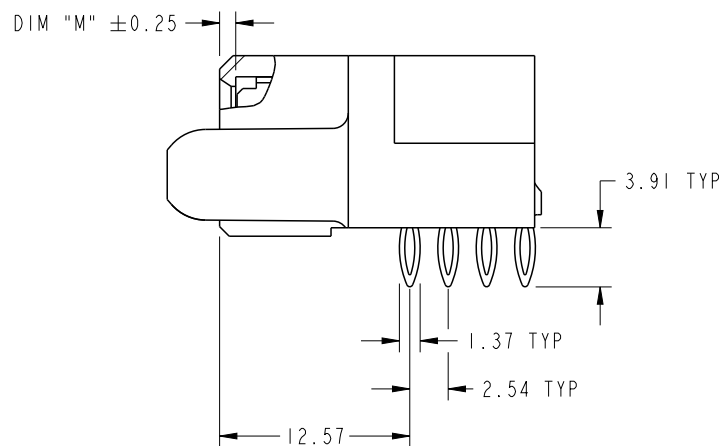
Copyright FCI.

PRODUCT NUMBER

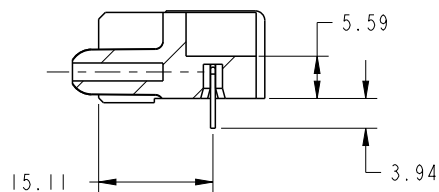
51866-051 --
NOTE 3



BROKEN-OUT SECTION A-A
SCALE 2:1



BROKEN-OUT SECTION B-B
SCALE 2:1

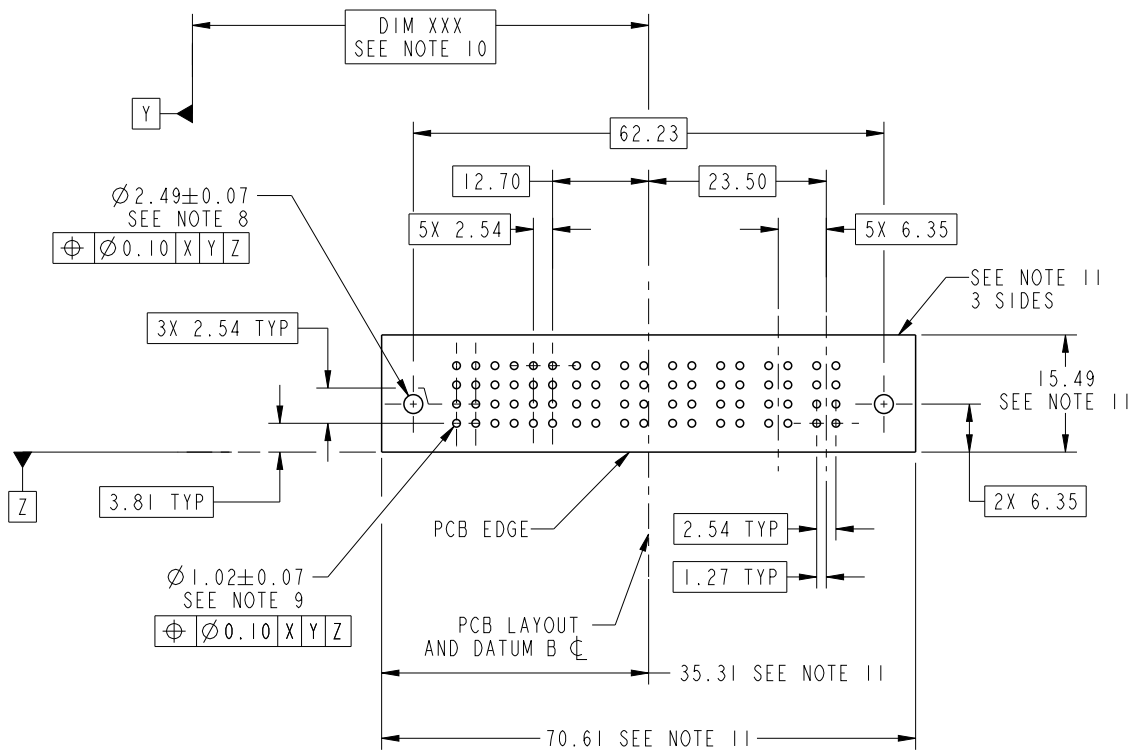


SECTION C-C

dr	X Q Wang	2012/02/22	projection 	MM 	size	A4	scale	1:1
eng	X Q Wang	2012/02/27			ecn no	-		
chr	-	-			rel level	Released		
appr	Pei-Ming Zheng	2012/02/27	product family	PwrBlade	rev	A		
		title 6P + 24S R/A SOLDER RECEPTACLE	dwg no 51866-051	cat. no. Product - Customer Drw	sheet 2 of 4			

PRODUCT NUMBER

51866-051__
NOTE 3



RECOMMENDED PCB LAYOUT

dr	X Q Wang	2012/02/22	projection 	MM 	size	A4	scale	1:1
eng	X Q Wang	2012/02/27			ecn no	-		
chr	-	-			rel level	Released		
appr	Pei-Ming Zheng	2012/02/27	product family	PwrBlade	rev	A		
	title	6P + 24S R/A SOLDER RECEPTACLE		dwg no	51866-051			
www.fci.com	cat. no.	Product - Customer Drw			sheet 3 of 4			

PRODUCT NUMBER

51866-051 --
NOTE 3

NOTES:

1. DIMENSIONS AND TOLERANCES ARE IN ACCORDANCE WITH ASME Y14.5M, 1994 UNLESS OTHERWISE SPECIFIED.

CONNECTOR NOTES:

- 2. HOUSING MATERIAL: UL 94 V-0 GLASS FILLED HIGH-TEMP THERMOPLASTIC
POWER CONTACT MATERIAL: COPPER ALLOY
SIGNAL PIN MATERIAL: COPPER ALLOY
- 3. SEE ITEM 7 & 8 IN PRINT 10064183 FOR PLATING SPEC OF 51866-051 AND 51866-051LF RESPECTIVELY.

4. MANUFACTURER'S NAME, DATE CODE AND OPTIONAL P/N TO APPEAR ON THIS SURFACE. THE P/N CAN BE OMITTED IF THERE IS NOT ENOUGH SPACE ON THIS SURFACE.

5. PRODUCT SPECIFICATION GS-12-149.
APPLICATION SPECIFICATION BUS-20-067.

6. PACKAGED IN TRAYS.

PCB NOTES:

7. ALL HOLE DIAMETERS ARE FINISHED HOLE SIZE.

8. MOUNTING HOLES, WHERE APPLICABLE, ARE UNPLATED.

9. $\varnothing 1.151 \pm 0.025$ DRILLED HOLES PLATED WITH
0.008 MIN SnPb OR Sn OVER 0.03
TO 0.08 Cu PLATING TO ACHIEVE
 $\varnothing 1.02 \pm .07$ HOLE.

10. "DIM XXX" TO BE DETERMINED BY THE CUSTOMER.

11. CONNECTOR KEEP-OUT ZONE.

12. THE VOID CORING IN BETWEEN POWER MODULES, SIGNAL MODULES AND END MODULES ARE OPTIONAL AND THE SHAPE MAY BE DIFFERENT FOR OPTIMIZE THE MOLDING PROCESS. THE VOID CORING WILL NOT EFFECT TO PRODUCT FUNCTION.

13. USE FCI CAM TOOL 430140-XXX
TO APPLY CONNECTOR TO PCB.

dr	X Q Wang	2012/02/22	projection 	MM 	size	A4	scale	1:1		
eng	X Q Wang	2012/02/27			ecn no	-				
chr	-	-			product family	PwrBlade	rel level	Released		
appr	Pei-Ming Zheng	2012/02/27	FCI		title	6P + 24S R/A SOLDER RECEPTACLE	dwg no	51866-051	rev	A
www.fci.com		cat. no.	Product - Customer Drw			sheet 4 of 4				