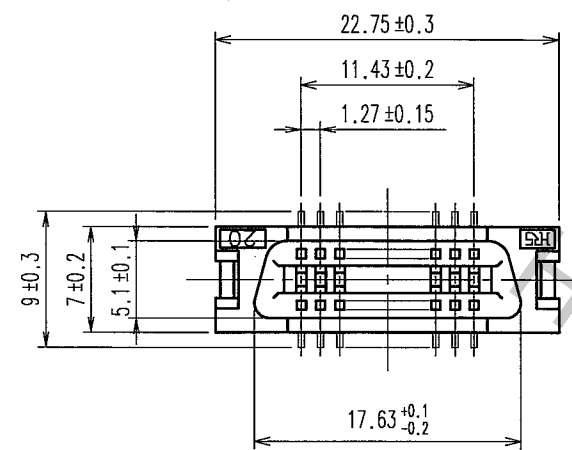
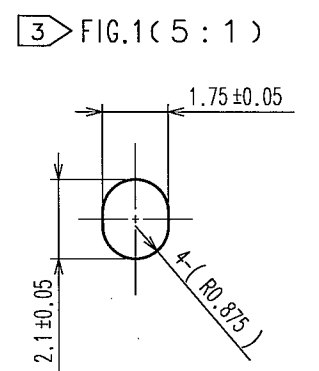
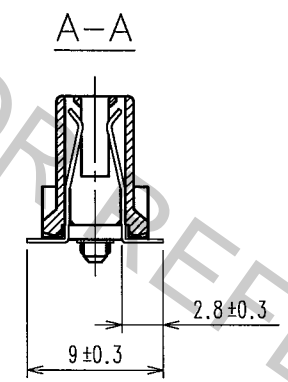
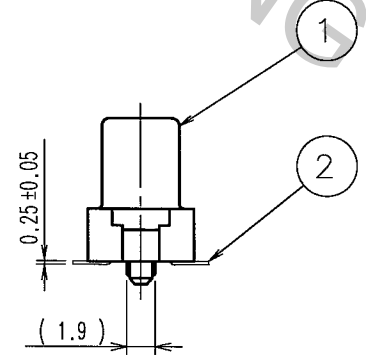
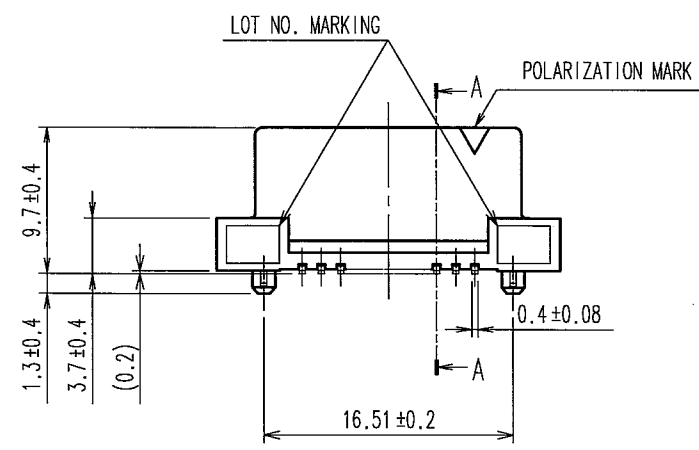
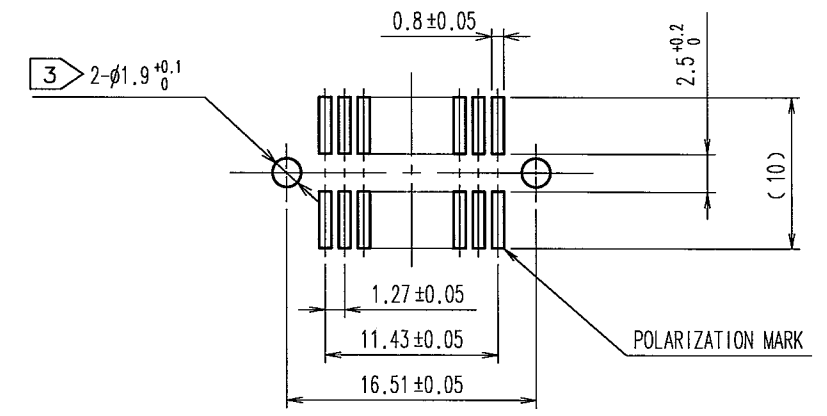


Apr.1.2017 Copyright 2017 HIROSE ELECTRIC CO., LTD. All Rights Reserved.

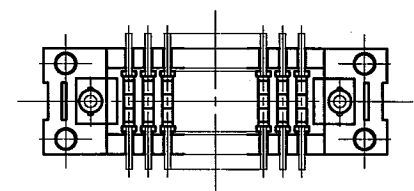
COUNT	DESCRIPTION OF REVISIONS	BY	CHKD	DATE	COUNT	DESCRIPTION OF REVISIONS	BY	CHKD	DATE
△				..	△				..
△				..	△				..
△				..	△				..



RECOMMENDED LAND PATTERN DIMENSION OF PCB (MOUNTING SIDE)



- NOTES
- LEAD CO-PLANARITY SHALL BE 0.15 MAX.
  - THE DIMENSIONS IN PARENTHESES ARE FOR REFERENCE.
  - IN CASE OF THE AUTOMATED MOUNTING, RECOMMENDED HOLE DIAMETER OF BOSS IS SHOWN IN FIG.1.



1	PPS	LIGHT BROWN (UL94V-0)	2	PHOSPHOR BRONZE	CONTACT AREA:GOLD 0.2μ m min. LEAD AREA:TIN-PLATING 2μ m min. UNDER PLATING:NICKEL 1.5μ m min.
NO.	MATERIAL	FINISH, REMARKS	NO.	MATERIAL	FINISH, REMARKS
CODE NO.(OLD) CL		DRAWN A.SUZUKAWA 06.03.07	DESIGNED <i>M. Nakamura</i> 06.03.10	CHECKED <i>D. Ozawa</i> 06.03.10	APPROVED <i>H. Okawa</i> 06.03.13
SCALE 2 : 1		DRAWING NO. EDC3-082755-21		PART NO. FX2-20S-1.27SV(71)	
UNITS mm		HIROSE ELECTRIC CO., LTD		CODE NO. CL572-2101-3-71	

TO  
PCK

1/1