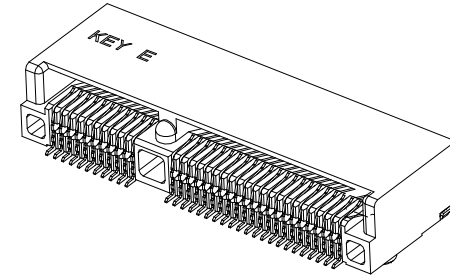
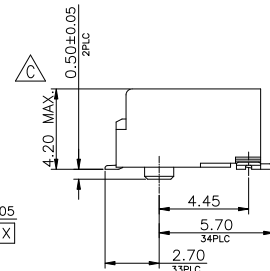
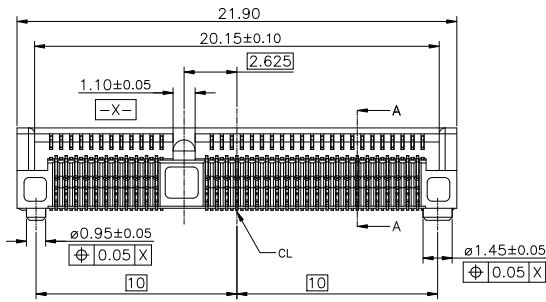
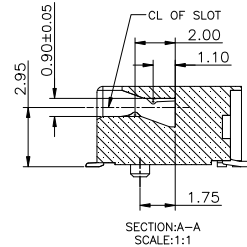
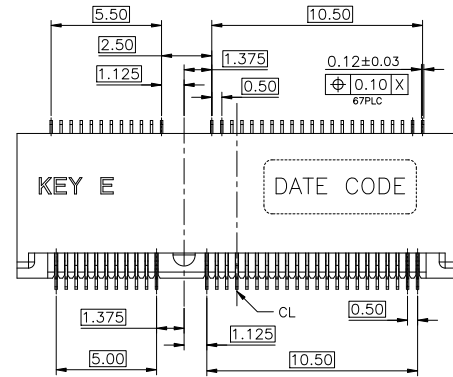
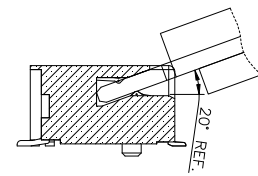
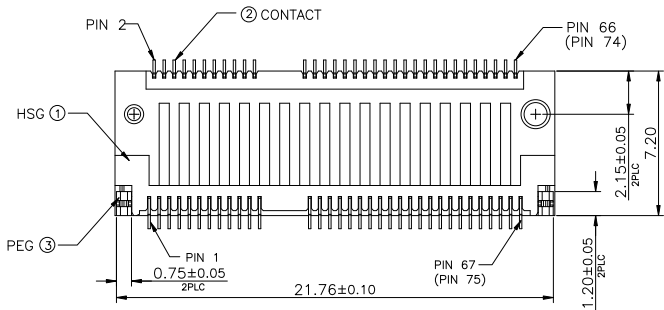


HF
Halogen Free



NOTES:
 1.MATERIAL:
 1.1 HOUSING:HIGH TEMPERATURE THERMOPLASTIC,UL94V-0,COLOR:BLACK.
 1.2. CONTACT:COPPER ALLOY.
 1.3. SOLDER PEG:STAINLESS STEEL.
 2. FINISH:
 2.1 CONTACT:
 UNDERPLATING NICKEL 50u" MIN OVERALL
 MATING AREA:GOLD PLATING,THICKNESS SEE TABLE
 SOLDER AREA:GOLD FLASH 1u" MIN.
 2.2 SOLDER PEG:
 UNDERPLATING NICKEL 50u" MIN OVERALL
 80u"MIN MATTE TIN ON SURFACE
 3.DATE CODE : YYWDX
 YY: YEAR (09: 2009)
 WW: WEEK (25: THE 25TH WEEK)
 D: DAY (1~7: SUNDAY~SATURDAY)
 L: LINE NUMBER OF ASSEMBLY (A: LINE A)
 X: D OR N (D: DAY; N: NIGHT)
 4.PRODUCT SPECIFICATION SEE FCI GS-12-1195
 5.PART NUMBER DESCRIPTION:
 10128794-00XRLF

LF:LEAD FREE & RoHS COMPLIANCE
 PACKAGE CODE:
 R: TAPE & REEL PACKING
 PLATING CODE:
 1: GOLD FLASH ON CONTACT AREA
 4: 15u"Min GOLD ON CONTACT AREA
 5: 30u"Min GOLD ON CONTACT AREA



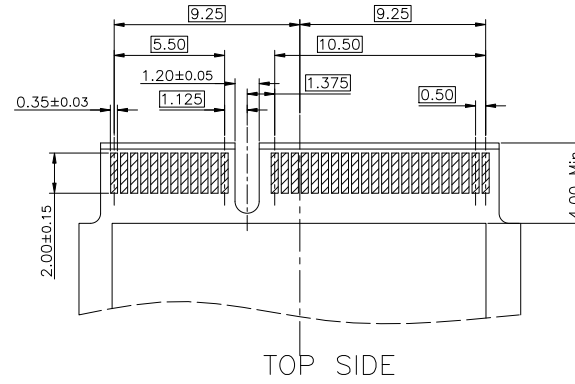
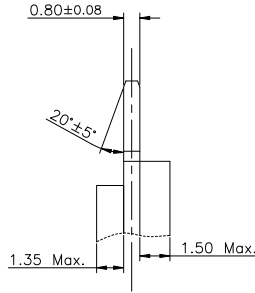
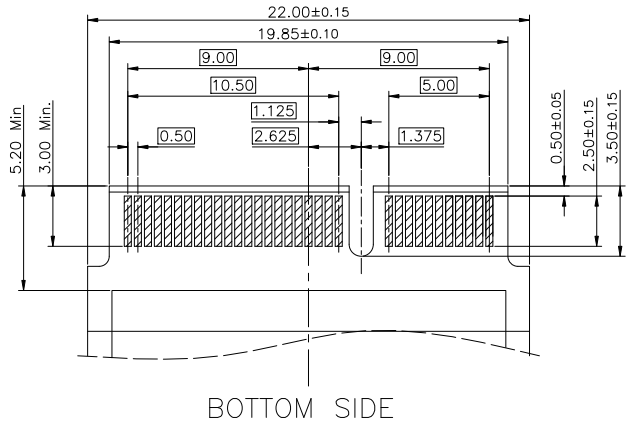
30u" Au	10128794-005RLF
15u" Au	10128794-004RLF
GOLD FLASH	10128794-001RLF
CONTACT AREA	FCI P/N

mat'l. code		surface	tolerance	projection	product family
ltr ecn no dr date		tolerances unless otherwise specified		mm	title M.2 CONNECTOR 4.2H_STD_KEY E
A	BF	2013-04-18	.X ±0.3	mm	
B	ELX-T-19318	TAI	2014-11-10	.XX ±0.25	
C	ELX-T-20858	TAI	2015-05-11	X*±2" .XXX ±0.05	scale
		dr	BEER FU	2013-05-02	FCI dwg no sheet 1 of 3 size 10128794 A4 type Customer Drawing
		enr	BEER FU	2013-05-02	
		chr	BEER FU	2013-05-02	
		appd	BEER FU	2013-05-02	
sheet index	revision sheet	C	C	C	
		1	2	3	

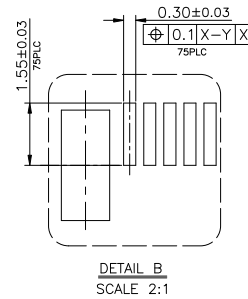
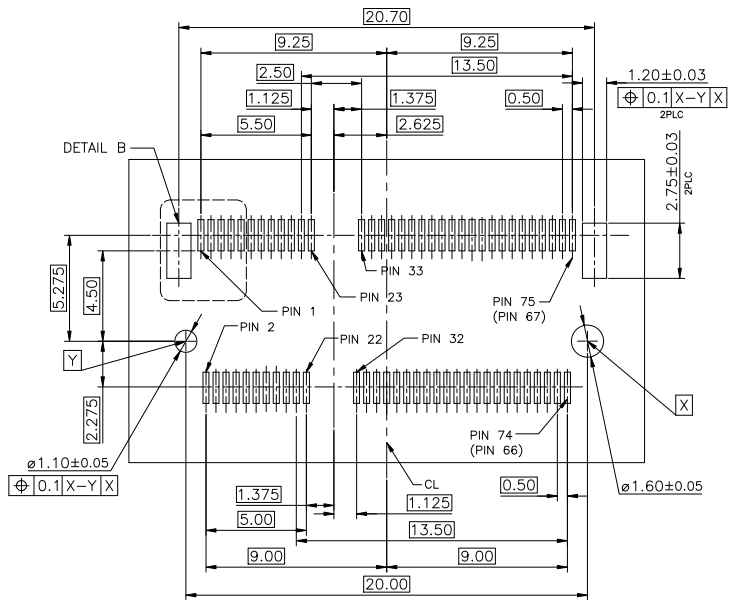
HF
Halogen Free



PLUG PCB



RECOMMENDED PCB LAYOUT



DETAIL B
SCALE 2:1

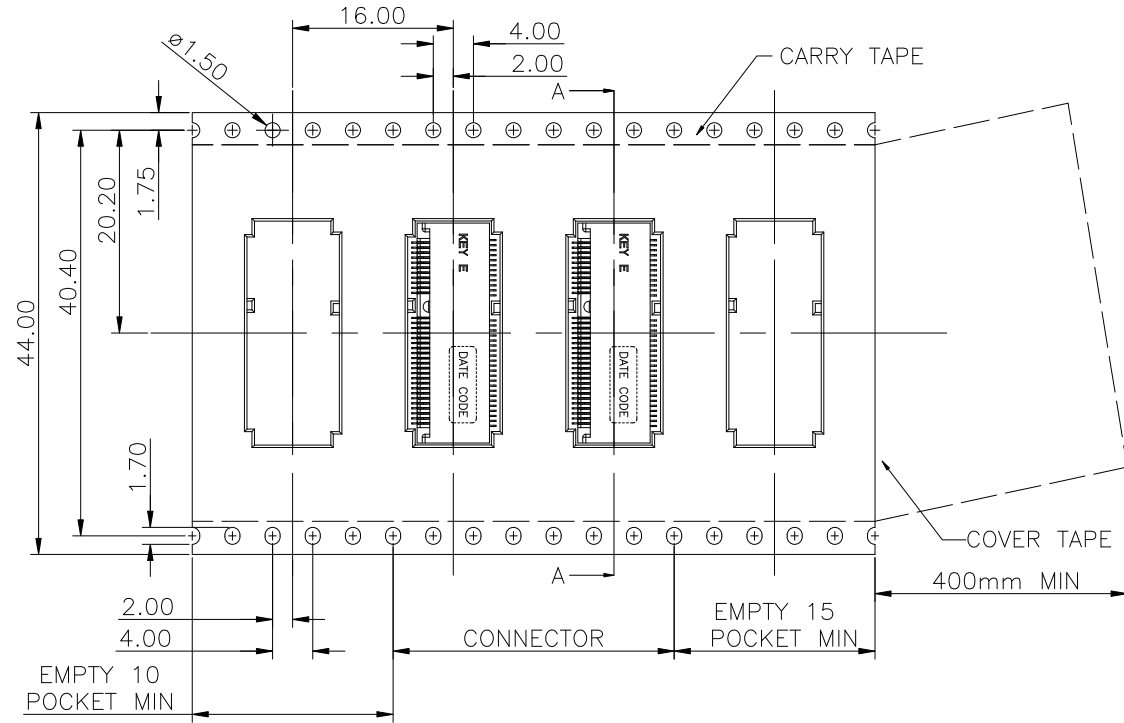
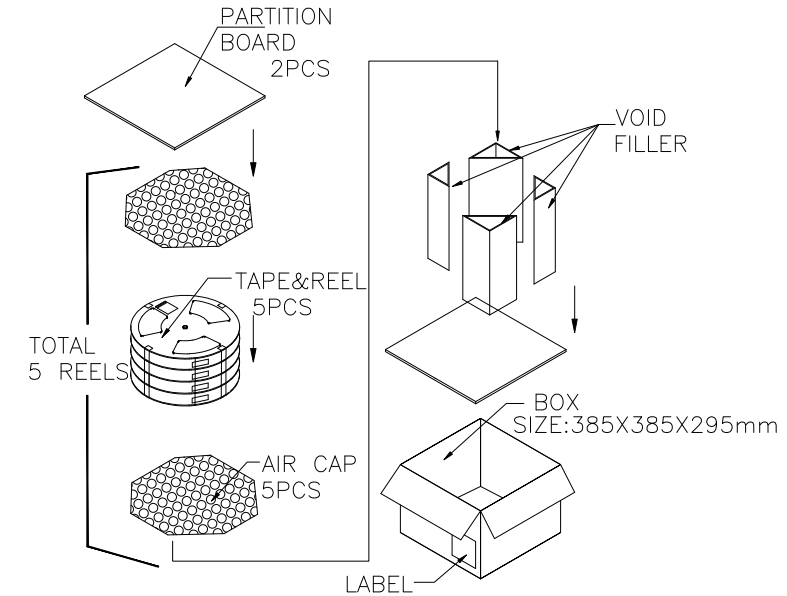
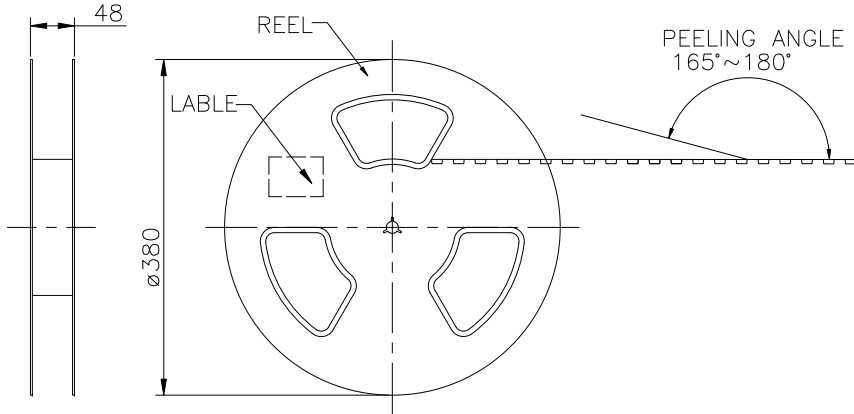
	dwg no	sheet 2 of 3	size
		10128794	A4
	type	Customer Drawing	

sheet index	revision sheet	C 1	C 2	C 3																
-------------	----------------	-----	-----	-----	--	--	--	--	--	--	--	--	--	--	--	--	--	--	--	--

HF
Halogen Free



FEEDING DIRECTION →



1100	5	5500	10.33Kg	5.53Kg
PCS/TAPE	REELS/BOX	PCS/BOX	GROSS WEIGHT	NET WEIGHT



dwg no	sheet 3 of 3	size
10128794		A4
type	Customer Drawing	

sheet index	revision sheet	C	C	C																
	1	2	3																	