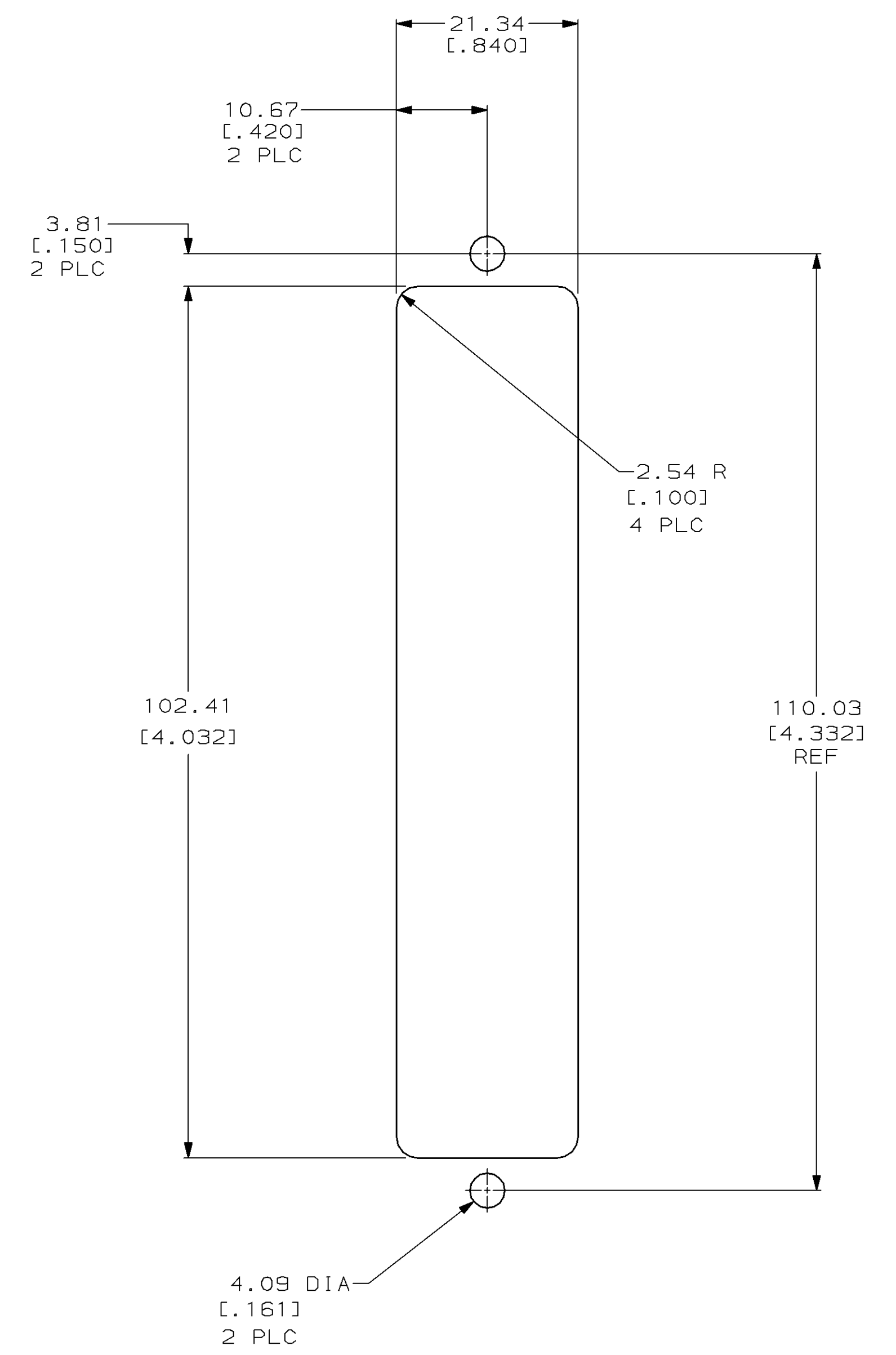
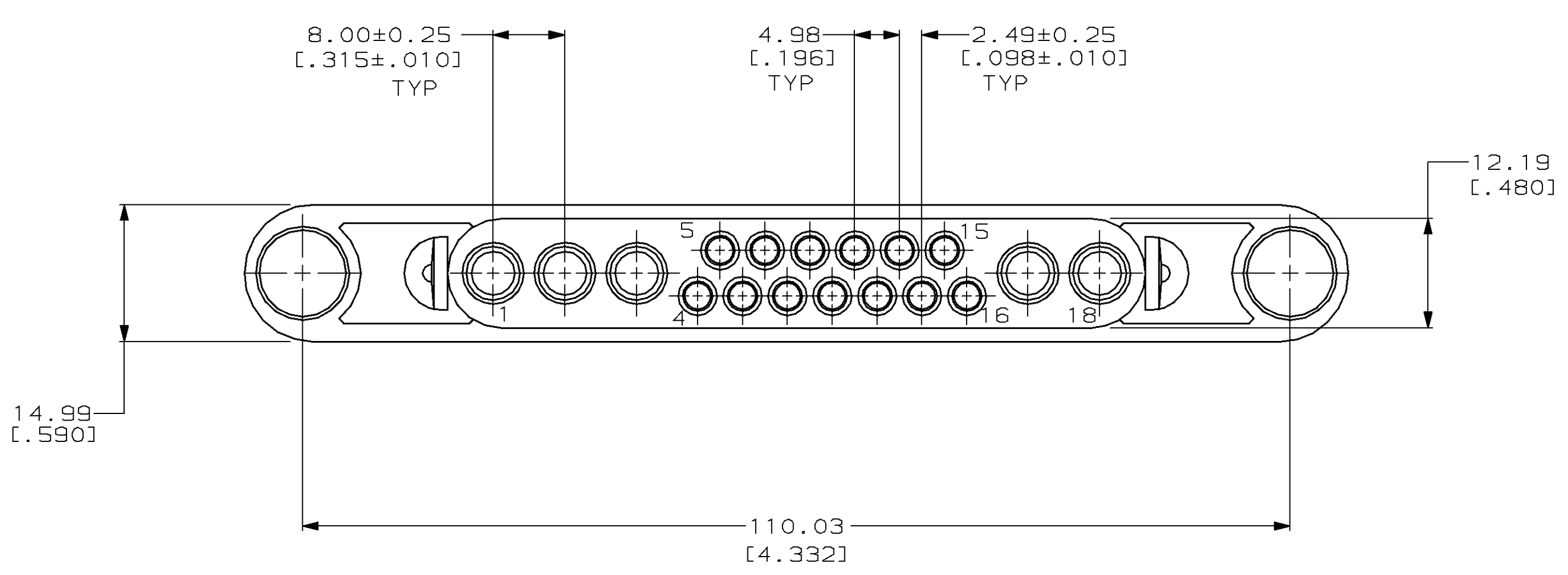
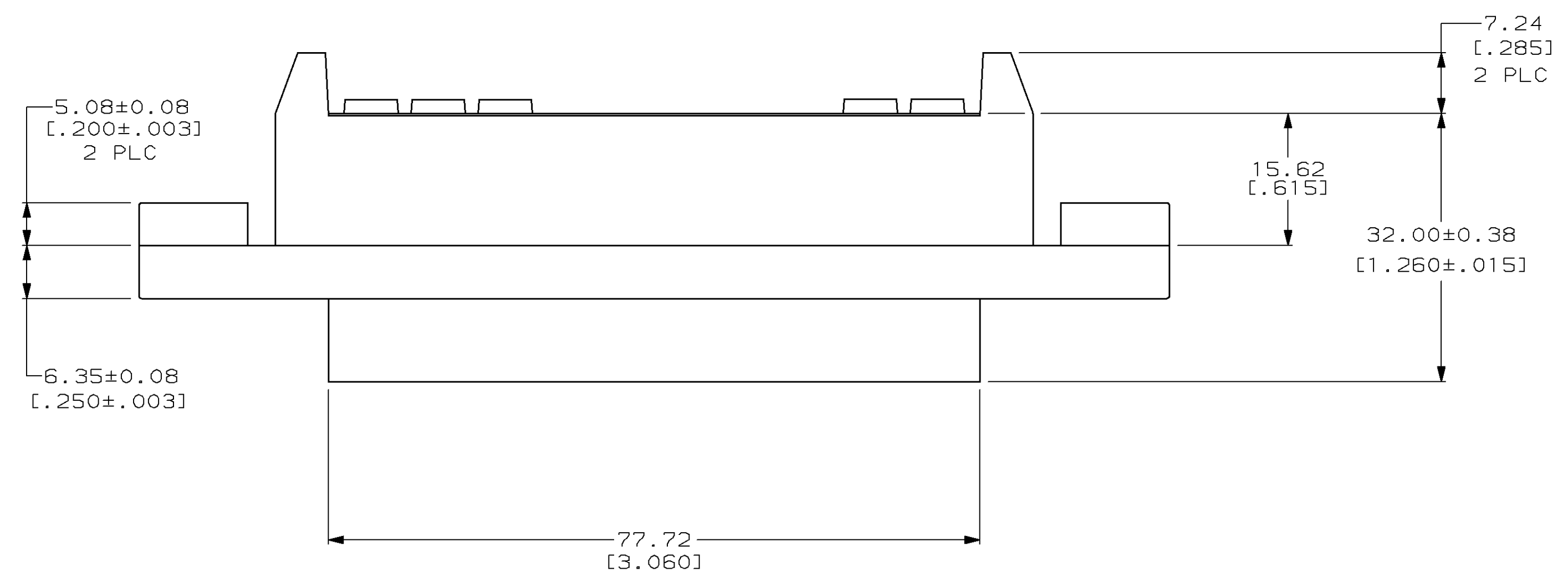
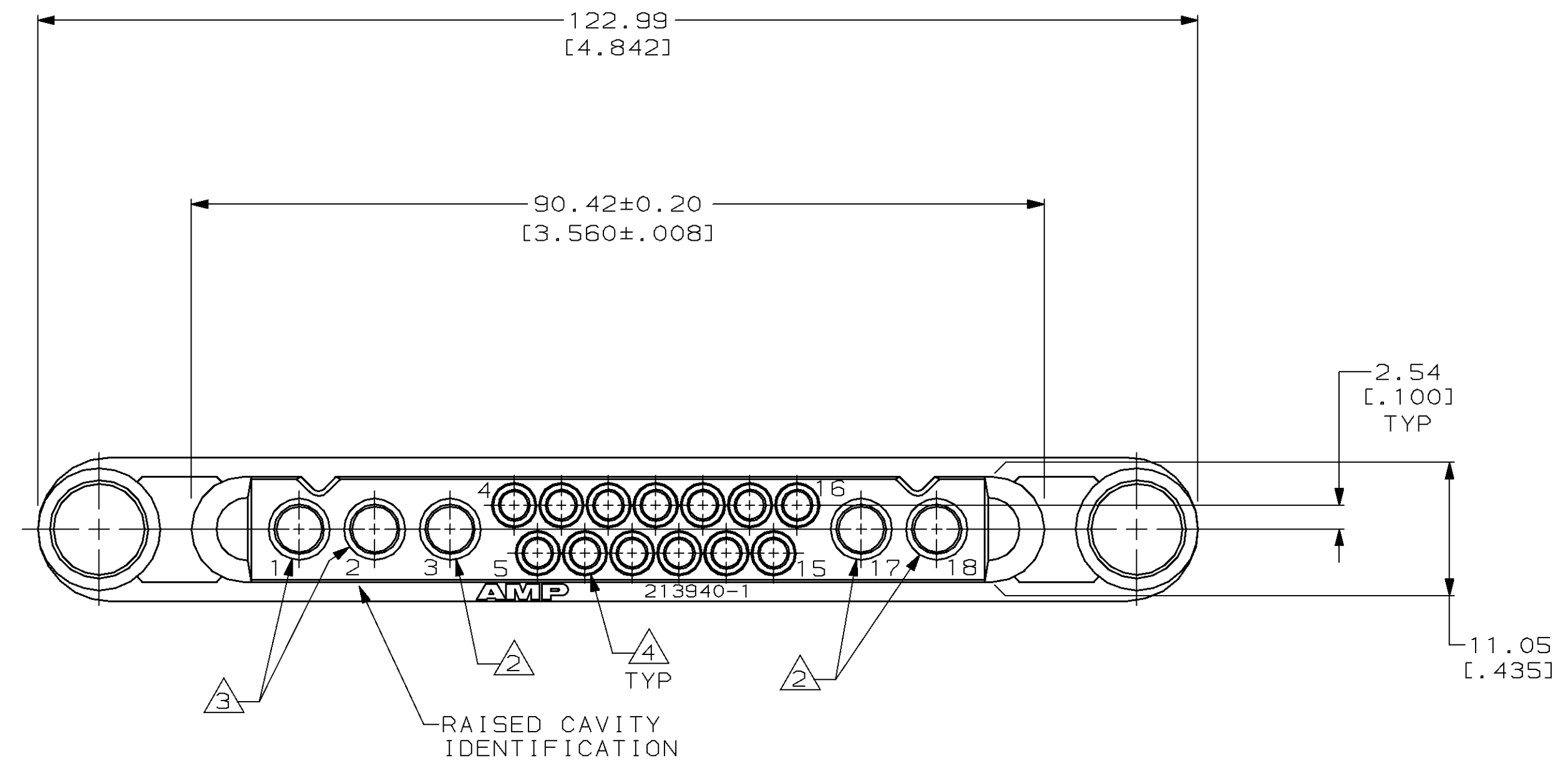


LOC		DIST		REVISIONS			
FT	13	P	LTR	DESCRIPTION	DATE	OWN	APVD
		0		RLSE -1 PER NPR 5550 WAS 95-5018-27-1	03 JUL 96	DB	MM

- ① POLYESTER, UL94V-0, BLACK.
- ② ACCEPTS POWERBAND SOCKET CONTACTS.
- ③ ACCEPTS SIZE VIII SOCKET CONTACTS.
- ④ ACCEPTS TYPE III + SOCKET CONTACTS.



RECOMMENDED PANEL CUTOUT

213940-1
PART NUMBER

<small>THIS DRAWING IS A CONTROLLED DOCUMENT FOR AMP TECHNOLOGIES. IT IS SUBJECT TO CHANGE AND THE CONTROLLING ENGINEERING DEPARTMENT SHOULD BE CONTACTED FOR THE LATEST REVISION.</small>		DWN D. BROCKWAY 08 JUL 96 CHK R. STONE 10 JUL 96 APVD M. MCALONIS 16 JUL 96 NAME AMP Incorporated Harrisburg, PA 17105-3508
DIMENSIONS: mm (INCHES)	TOLERANCES UNLESS OTHERWISE SPECIFIED: 0 PLC ±- 1 PLC ±- 2 PLC +0.13 (.005) 3 PLC ±- 4 PLC ±- ANGLES ±-	PRODUCT SPEC APPLICATION SPEC WEIGHT - CUSTOMER DRAWING
MATERIAL FINISH ①		SIZE A1 CAGE CODE 00779 DRAWING NO 213940 SCALE 2:1 SHEET 1 OF 1 REV 0