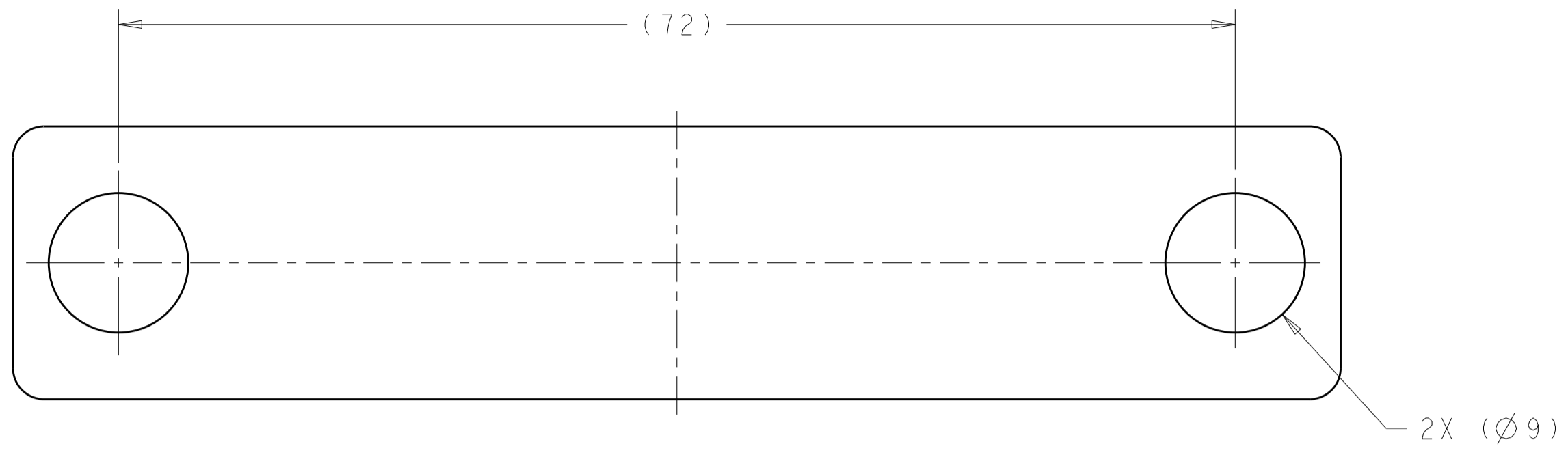
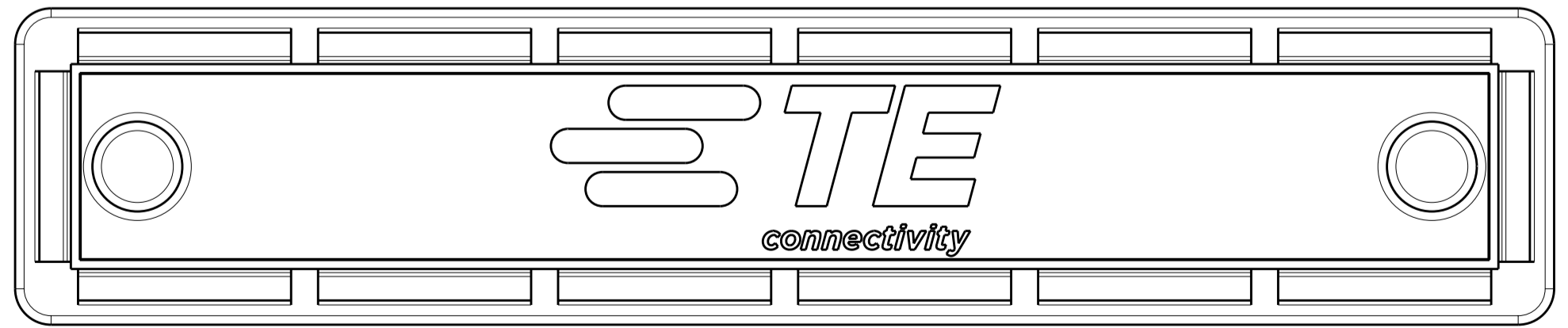
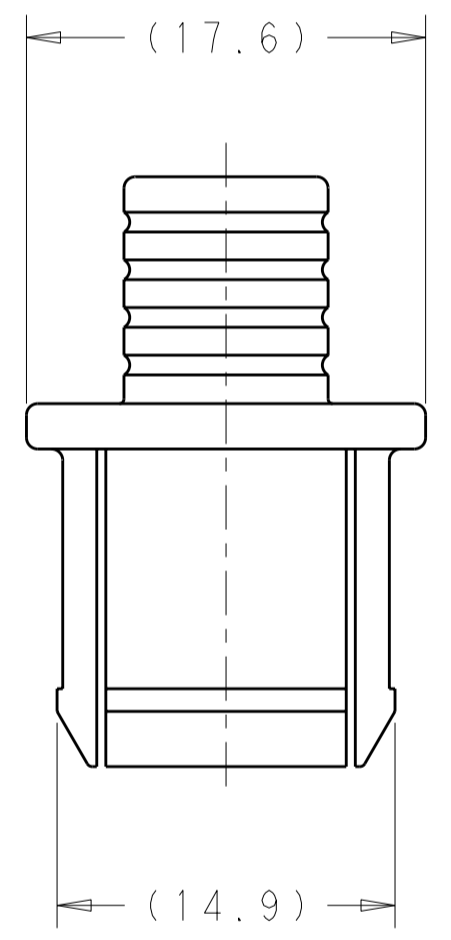
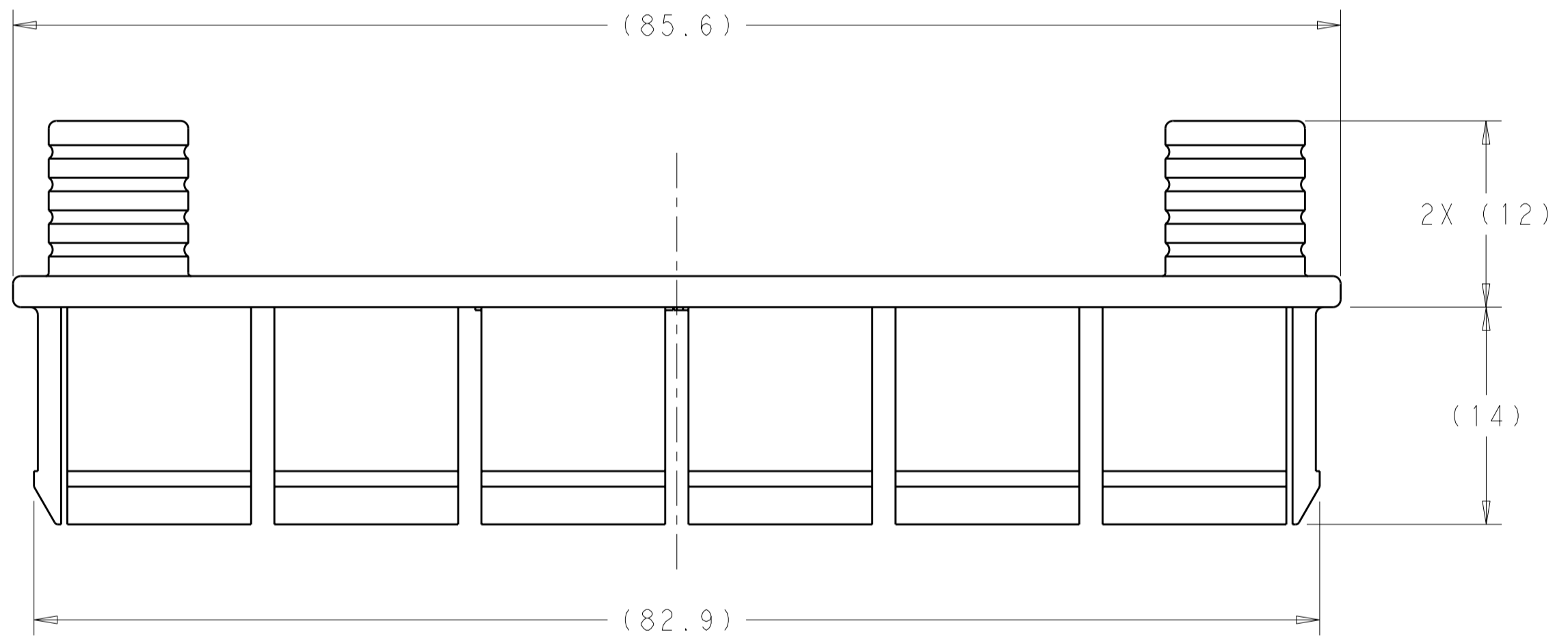
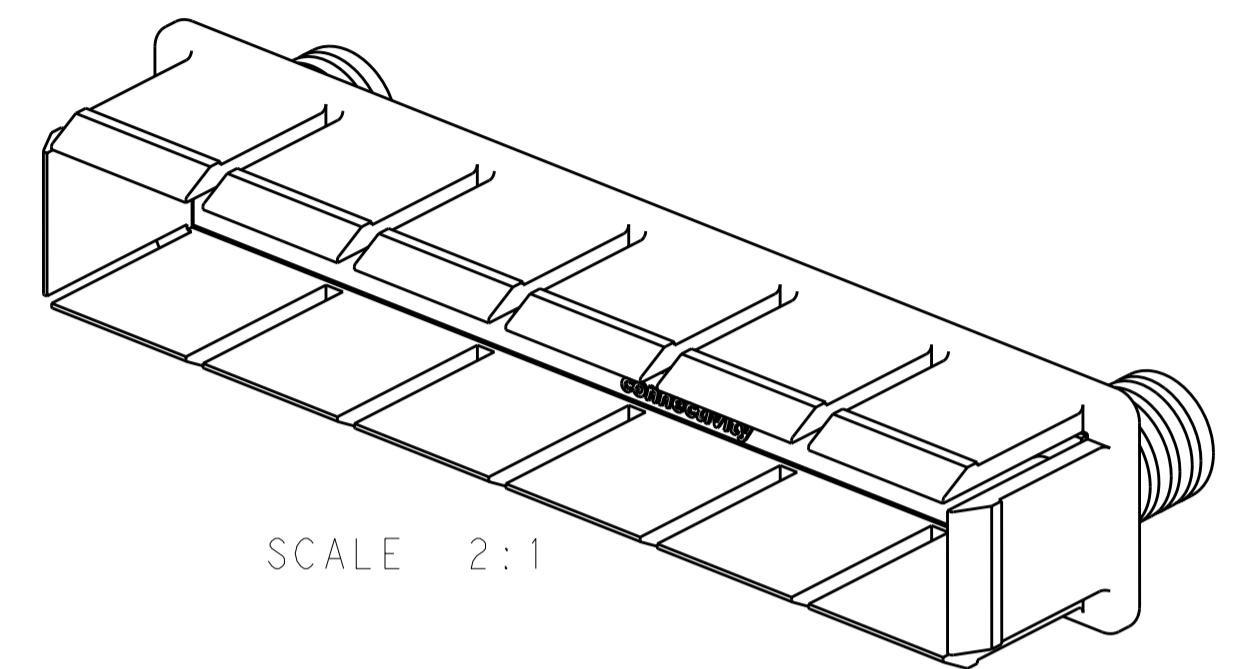


THIS DRAWING IS UNPUBLISHED. RELEASED FOR PUBLICATION 20
 © COPYRIGHT 20 BY - ALL RIGHTS RESERVED.

LOC	DIST	REVISIONS					
GP	00	P	LTR	DESCRIPTION	DATE	DWN	APVD
		A		RELEASE PER ECO-11-020181	27OCT2011	CJV	MRS



1 PC/ABS WITH CONDUCTIVE FILLER.



2149151-1
 PART NUMBER

THIS DRAWING IS A CONTROLLED DOCUMENT.		DWN M. SHIRK 07JUN2010	TE Connectivity PLUG, EMI, CFP		
DIMENSIONS: mm		CHK D. SZCZESNY 07JUN2010			
TOLERANCES UNLESS OTHERWISE SPECIFIED:		APVD -	NAME		
0 PLC ± 1 PLC ± 2 PLC ±0.10 3 PLC ± 4 PLC ± ANGLES ± FINISH ±		PRODUCT SPEC 108-2399	RESTRICTED TO		
MATERIAL		APPLICATION SPEC 114-13263	SIZE A200779	DRAWING NO C-2149151	
		WEIGHT -	SCALE 3:1	SHEET 1 OF 1	
		CUSTOMER DRAWING	REV A		