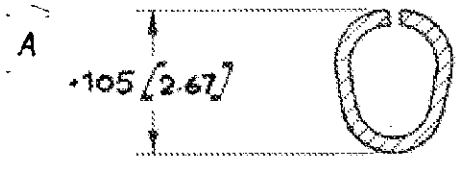
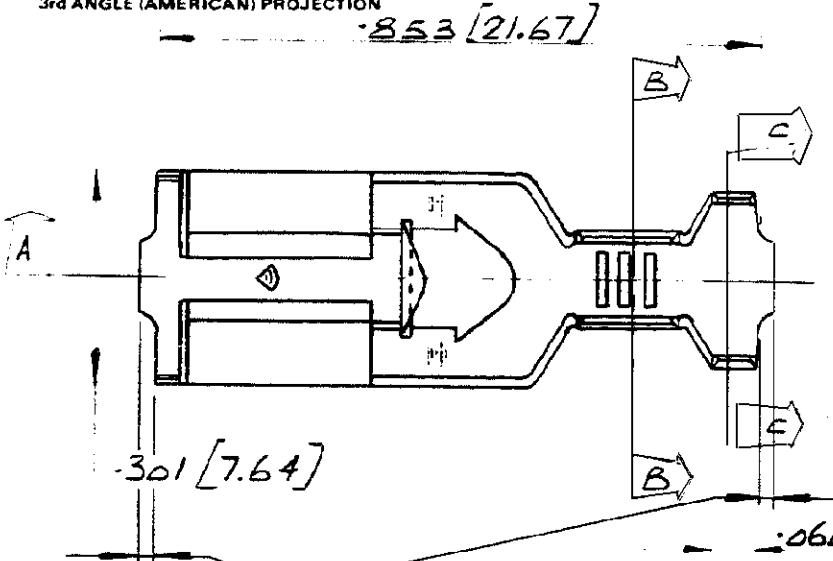


NUMBER C-341412

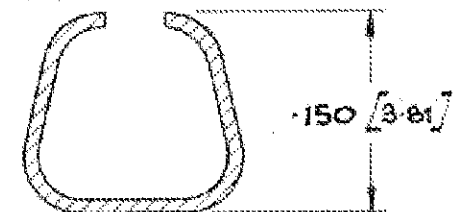
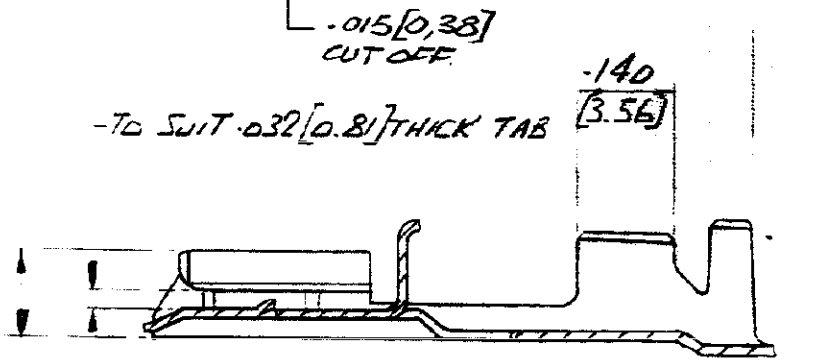
3rd ANGLE (AMERICAN) PROJECTION

DIMENSIONS IN INCHES DO NOT SCALE PRINT DIMENSIONS THUS () IN MM.



SECTION B-B

WIRE BARREL SECTION B-B
PRE-FORM TO HEIGHT
SHOWN WITH .115 [2.92] 'F'
CRIMPER




SECTION C-C

INSULATION BARREL SECTION C-C
PRE-FORM TO HEIGHT SHOWN WITH .165
[4.19] 'F' CRIMPER

SECTION A-A

C-341412-5	NICKEL SILVER	NONE
C-341412-4	PHOSPHOR BRONZE	PRE-TIN
C-341412-3	PHOSPHOR BRONZE	NONE
C-341412-2	BRASS	PRE-TIN
C-341412-1	BRASS	NONE
PART NO.	MATERIAL	FINISH

C				TE of GREAT BRITAIN LTD 1978		CUSTOMER COPY REFERENCE ONLY	
MATERIAL AND FINISH SEE TABLE				 TE Connectivity			
A	Adding note for pre-form height		C.J	RRP	13JUN11	CLASS	
1	PRELIMINARY ISSUE		JPS	-	3/5/79	TYPE	
ISS	REVISION RECORD		DR	CHK	DATE	LOC	REV
DR	3/5/79 DE		J.P. STOCKWELL		4-12	E	A
CHK	1		APP	NO C-341412			

WIRE RANGE - INSULATION		TYPE	
0.5mm ² - 1.5mm ² 2.1mm ² - 2.9mm ²			
TOLERANCE EXCEPT AS NOTED		SCALE	
±.015 [0.38] - 1° D		4:1	
NAME			
LOOSE PIECE PART			
POSITIVE LOCK RECEPTACLE MK II (250)			

PRINT DIST.