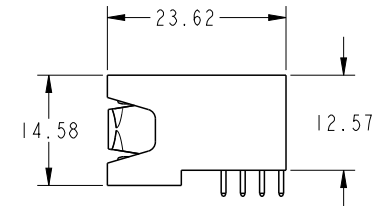
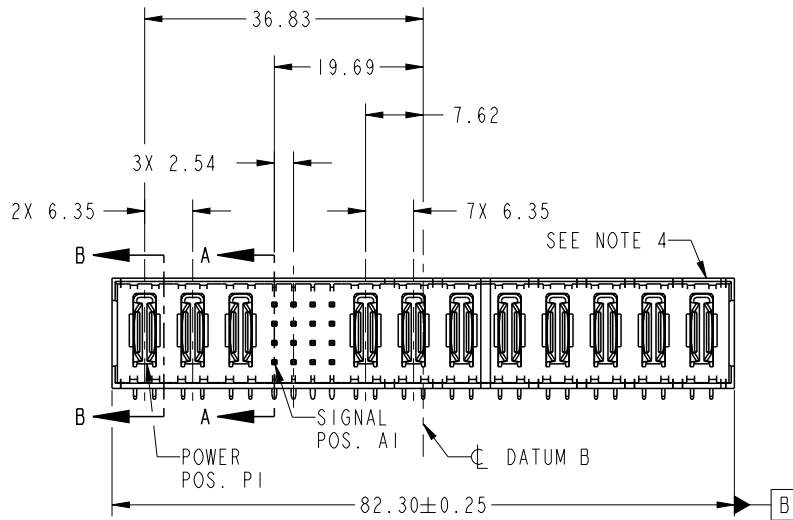


PRODUCT NO.	ROWS	POWER			SIGNAL				POWER						
		P1	P2	P3	1	2	3	4	P4	P5	P6	P7	P8	P9	P10
51734-007-- NOTE 3	D C B A	PA	PA	PA	UUUU TTTT SSSS RRRR	PA	PA	PA	PA	PA	PA	PA	PA	PA	PA

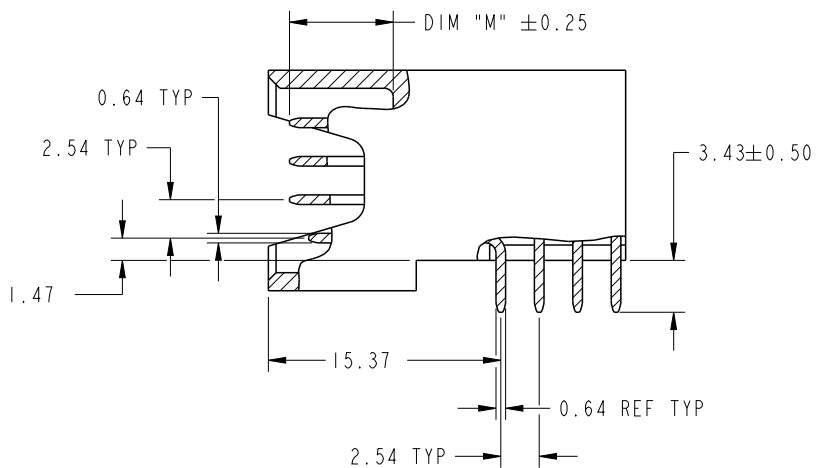


CODE	DIM "M" MATING LENGTH	CONTACT TYPE
U	[6.86]	SIGNAL
T	[6.86]	SIGNAL
S	[6.86]	SIGNAL
R	[6.86]	SIGNAL
PA	[N/A]	POWER
E	[5.59]	SIGNAL

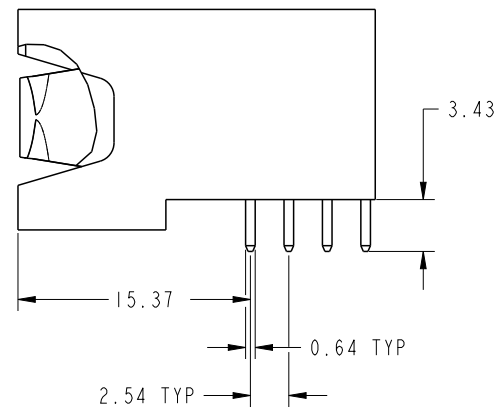
spec ref	-	dr	Julia Wang	2012/05/02	projection 	MM 	size	A4	scale	1:1			
tolerance std	TOLERANCES UNLESS OTHERWISE SPECIFIED	eng	Julia Wang	2012/05/15			ecn no	-					
SEE NOTES		chr	-	-									
surface	<input checked="" type="checkbox"/> linear <input type="checkbox"/> angular	appr	Pei-Ming Zheng	2012/05/18	product family	PwrBlade	rel level	Released					
		<table border="1"> <tr> <td>0.X</td> <td>±0.5</td> </tr> <tr> <td>0.XX</td> <td>±0.25</td> </tr> <tr> <td>0.XXX</td> <td>±0.1</td> </tr> <tr> <td>0°</td> <td>±2°</td> </tr> </table>	0.X	±0.5	0.XX	±0.25	0.XXX	±0.1	0°	±2°	 <a href="http://www.fci.com">www.fci.com</a>	title 3P + 16S + 8P RIGHT ANGLE SOLDER HEADER	dwg no 51734-007
0.X	±0.5												
0.XX	±0.25												
0.XXX	±0.1												
0°	±2°												
		cat. no.	Product - Customer Drw				sheet 1 of 4						

PRODUCT NUMBER

51734-007--  
NOTE: 3



BROKEN-OUT SECTION A-A  
SCALE 2:1



BROKEN-OUT SECTION B-B  
SCALE 2:1

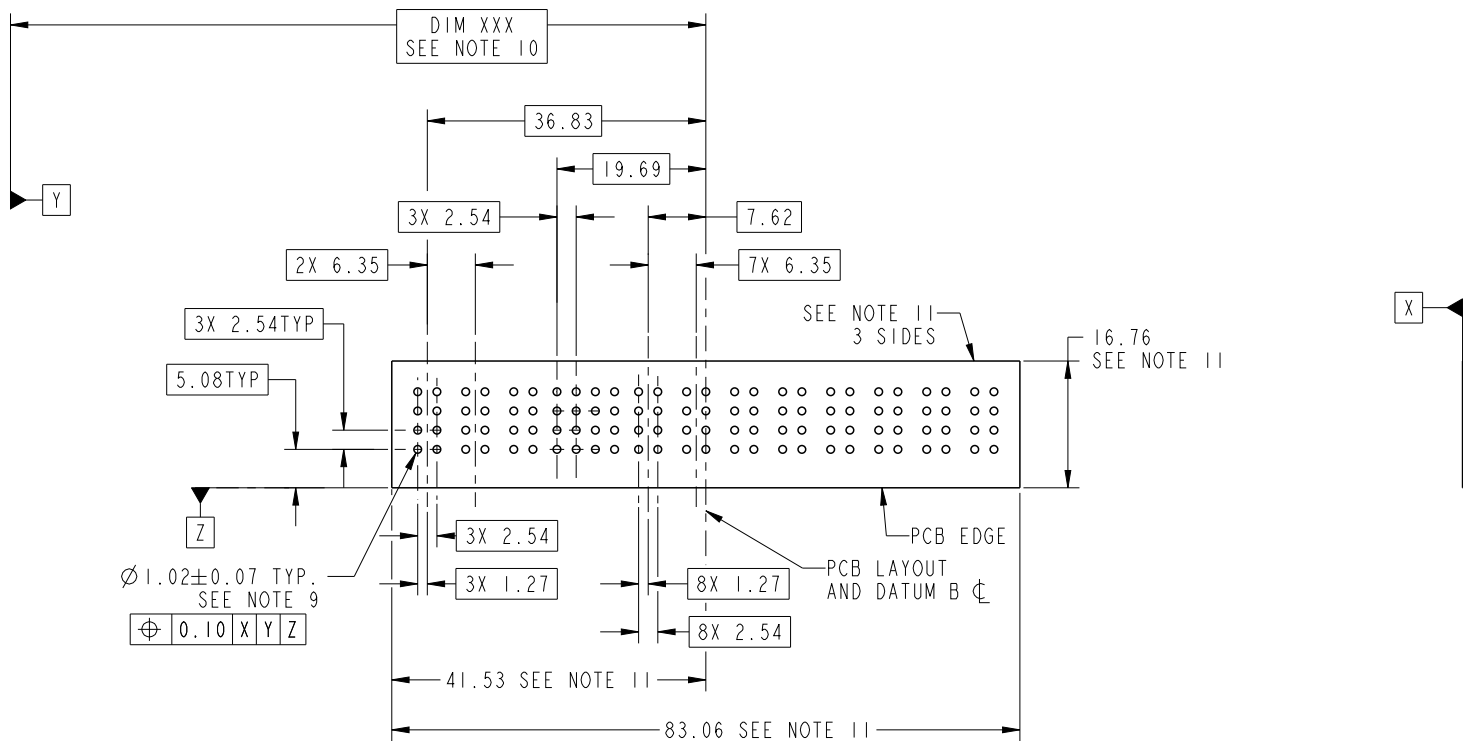


Copyright FCI.

dr	Julia Wang	2012/05/02	projection 	MM 	size	A4	scale	1:1	
eng	Julia Wang	2012/05/15			ecn no	-			
chr	-	-			rel level	Released			
appr	Pei-Ming Zheng	2012/05/18	product family	PwrBlade					
		title	3P + 16S + 8P RIGHT ANGLE SOLDER HEADER		dwg no	51734-007		rev	A
www.fci.com		cat. no.	-		Product - Customer Drw			sheet 2 of 4	

PRODUCT NUMBER

51734-007\_\_  
NOTE: 3



RECOMMENDED PCB LAYOUT

dr	Julia Wang	2012/05/02	projection 	MM 	size	A4	scale	1:1
eng	Julia Wang	2012/05/15			ecn no	-		
chr	-	-			rel level	Released		
appr	Pei-Ming Zheng	2012/05/18	product family	PwrBlade				
	title	3P + 16S + 8P RIGHT ANGLE SOLDER HEADER		dwg no	51734-007		rev	A
www.fci.com	cat. no.	-	Product - Customer Drw		sheet 3 of 4			

PRODUCT NUMBER

51734-007--  
NOTE: 3

NOTES:

1. DIMENSIONS AND TOLERANCES ARE IN ACCORDANCE WITH ASME Y14.5M, 1994 UNLESS OTHERWISE SPECIFIED.

CONNECTOR NOTES:

- 2. HOUSING MATERIAL: UL 94 V-0 GLASS FILLED HIGH-TEMP THERMOPLASTIC  
POWER CONTACT MATERIAL: COPPER ALLOY  
SIGNAL PIN MATERIAL: COPPER ALLOY
- 3. SEE ITEM 1 & 2 IN PRINT 10064183 FOR PLATING SPEC OF 51734-007 AND 51734-007LF RESPECTIVELY.
- 4. MANUFACTURER'S NAME, DATE CODE AND OPTIONAL P/N TO APPEAR ON THIS SURFACE. THE P/N CAN BE OMITTED IF THERE IS NOT ENOUGH SPACE ON THIS SURFACE.
- 5. PRODUCT SPECIFICATION GS-12-149.  
APPLICATION SPECIFICATION BUS-20-067.
- 6. PACKAGED IN TRAYS.

PCB NOTES:

- 7. ALL HOLE DIAMETERS ARE FINISHED HOLE SIZE.
- 8. MOUNTING HOLES, WHERE APPLICABLE, ARE UNPLATED.
- 9.  $\varnothing 1.151 \pm 0.025$  DRILLED HOLES PLATED WITH  
0.008 MIN SnPb OR Sn OVER 0.03  
TO 0.08 Cu PLATING TO ACHIEVE  
 $\varnothing 1.02 \pm 0.07$  HOLE.
- 10. "DIM XXX" TO BE DETERMINED BY THE CUSTOMER.
- 11. CONNECTOR KEEP-OUT ZONE.

dr	Julia Wang	2012/05/02	projection 	MM 	size	A4	scale	1:1		
eng	Julia Wang	2012/05/15			ecn no	-				
chr	-	-			product family	PwrBlade	rel level	Released		
appr	Pei-Ming Zheng	2012/05/18			title	3P + 16S + 8P RIGHT ANGLE SOLDER HEADER	dwg no	51734-007	rev	A
www.fci.com		cat. no.	-	Product - Customer Drw			sheet 4 of 4			



Copyright FCI.