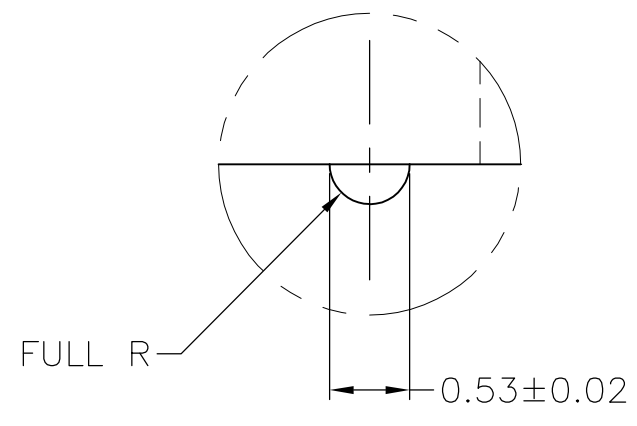
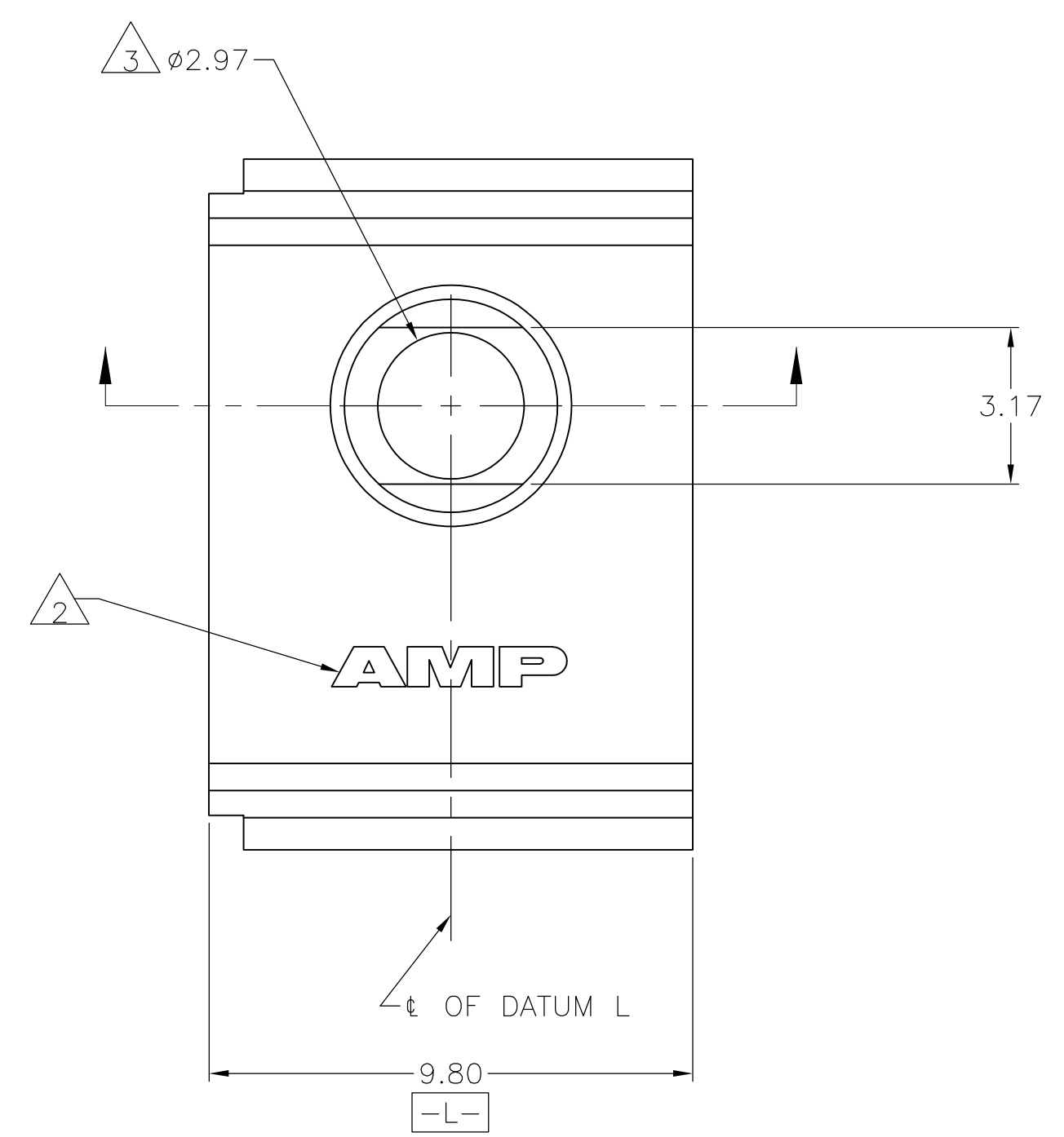


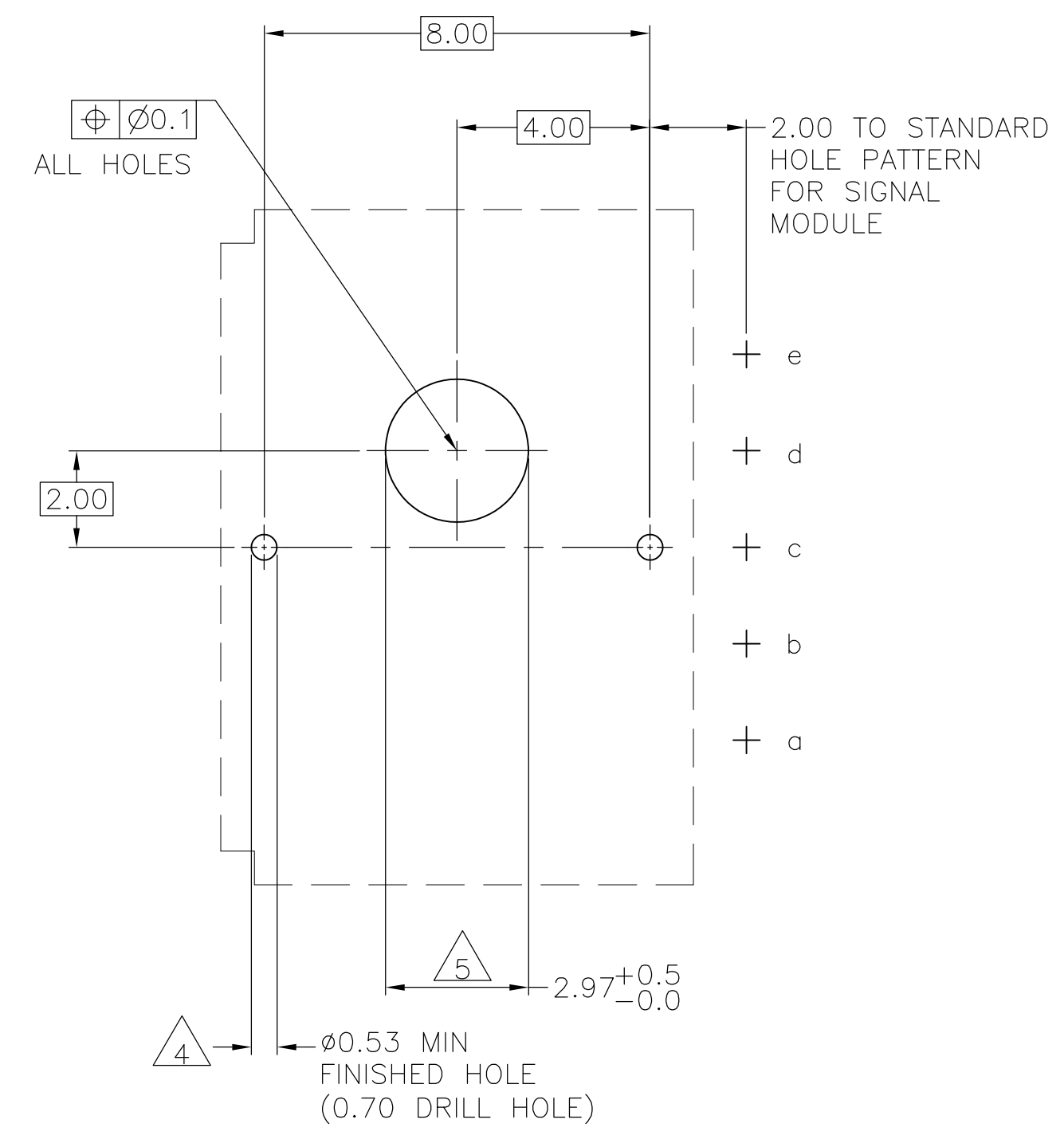
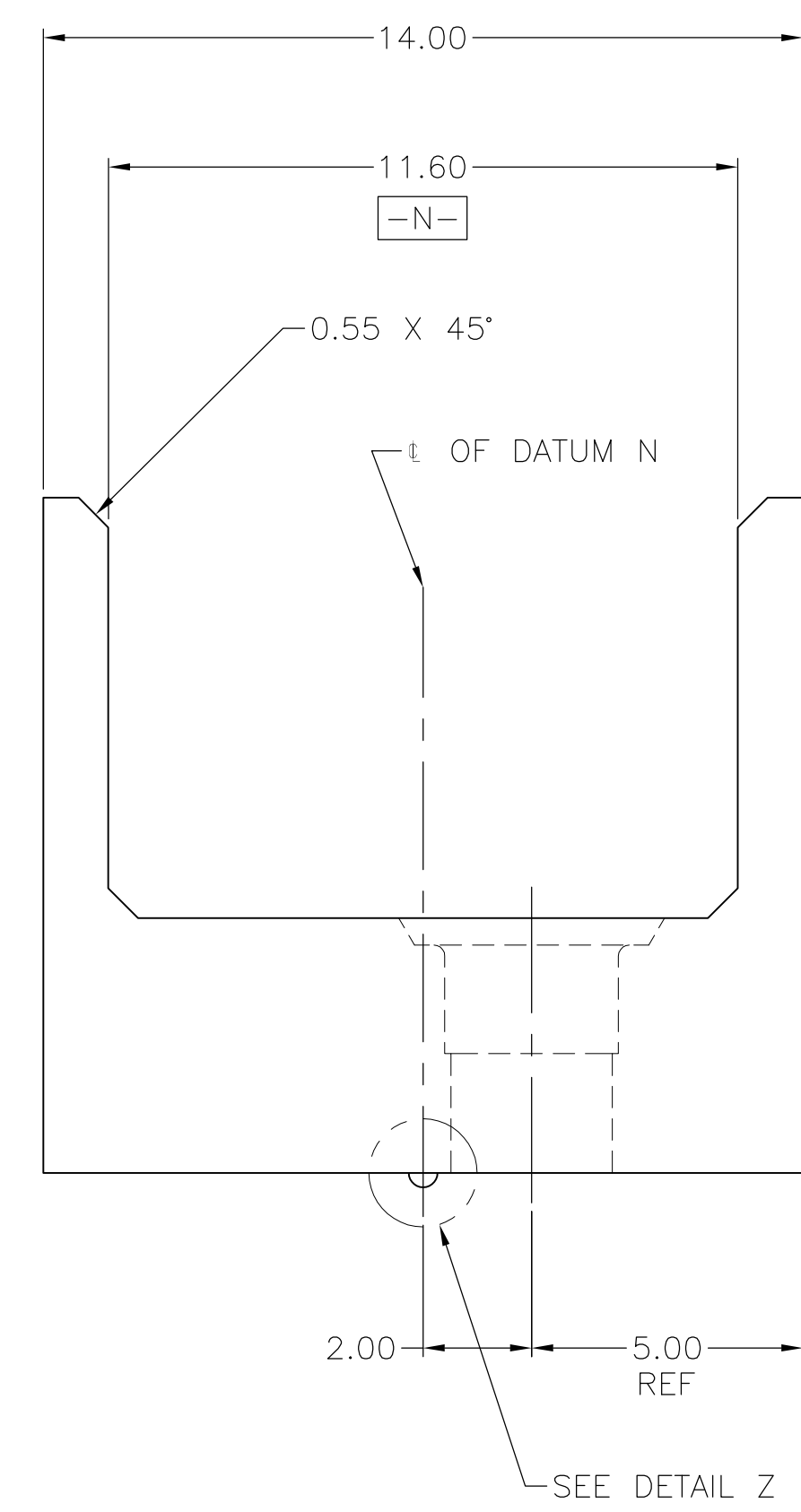
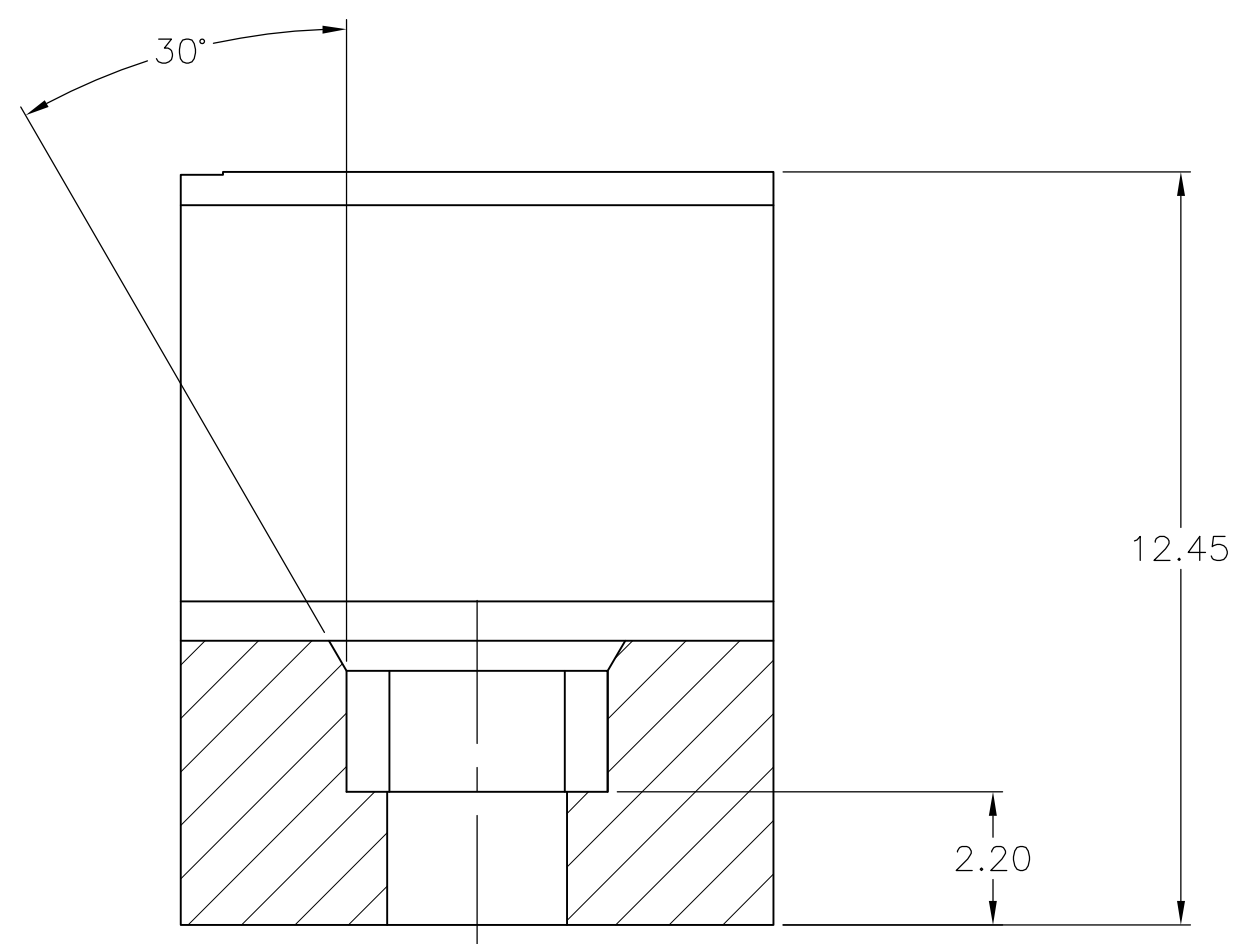
LOC		DIST		REVISIONS			
P	LTR	DESCRIPTION	DATE	DMN	APVD		
B		REV PER EC 0512-0258-04	21MAY04	BC	GS		
B1		REVISED PER ECO-10-000443	15JAN10	KK	AEG		
C		ECR-10-019054	15SEP10	DP	MQW		



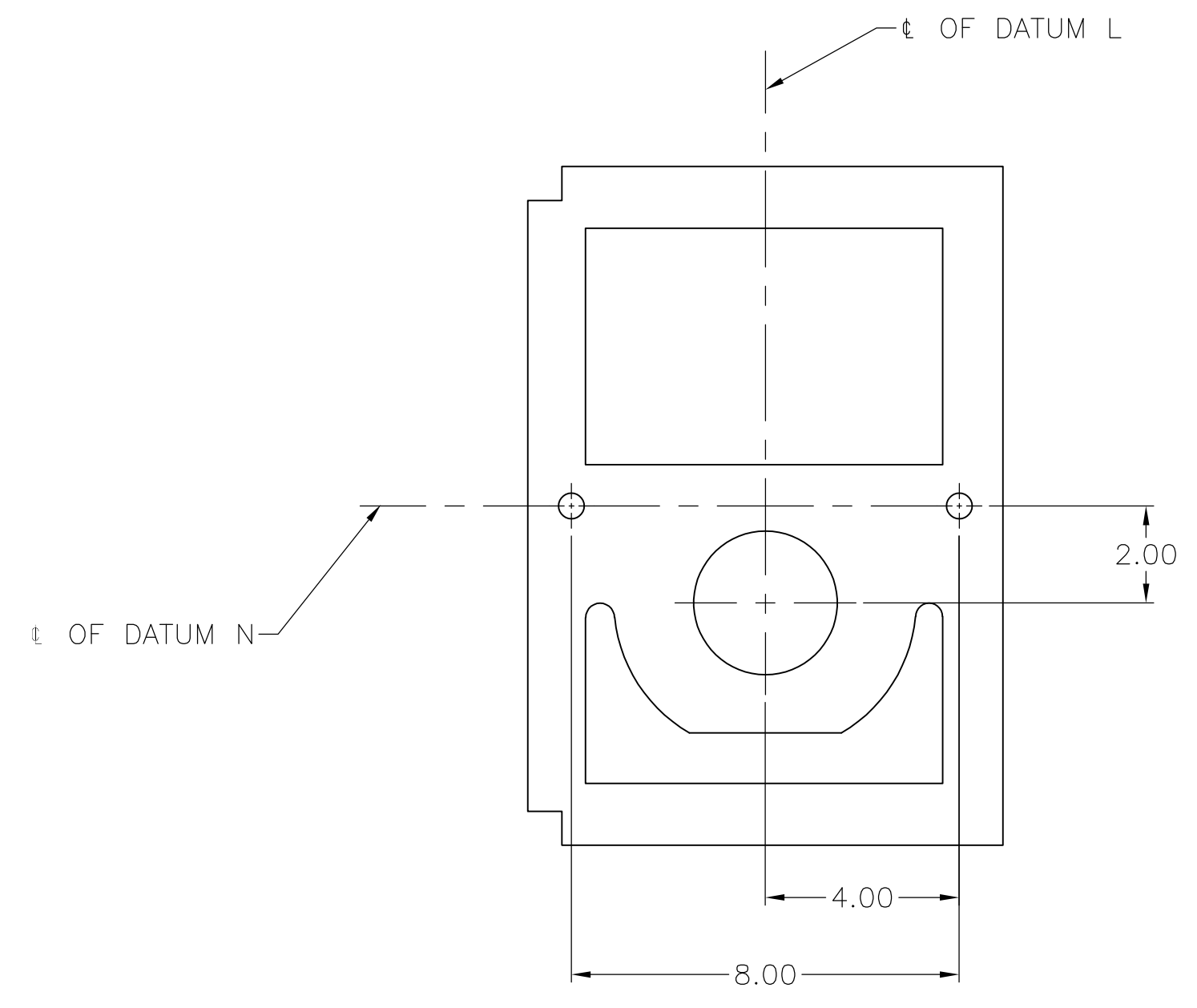
DETAIL Z
SCALE 20:1



- 1 MATERIAL: GLASS FILLED POLYESTER, GRAY.
- 2 AMP TRADEMARK RECESSED.
- 3 THIS PART HAS A THRU HOLE TO ACCEPT A POWER/GUIDE PIN, AMP BASE PART NO 532828.
- 4 LOCATING HOLES NEED NOT BE PLATED THRU HOLES. BUT LOCATING NIPPLE IS DESIGNED TO FIT MIN PLATED THRU HOLE Ø0.55mm FINISHED.
- 5 PLATED THRU HOLE FOR POWER APPLICATION ONLY.
- 6 SAME AS -1. SPECIAL PART FOR NORTEL AND THEIR CONTRACT MANUFACTURERS.
- 7 OBSOLETE PARTS: OBSOLETE CIS STREAMLINING PER D.RENAUD/D.SINISI



RECOMMENDED PCB-HOLE LAYOUT
COMPONENT SIDE



6	7	OBSOLETE	646274-8
			646274-1
		PART NUMBER	

THIS DRAWING IS A CONTROLLED DOCUMENT.		DIN D.R.BENDER 12/02/92		Tyco Electronics Corporation	
DIMENSIONS: mm		CHK L.A.BARKJUS 03/04/93		Harrisburg, Pa 17105-3608	
TOLERANCES UNLESS OTHERWISE SPECIFIED:		APVD L.A.BARKJUS 03/04/93		NAME	
0-PLC	±0.2	PRODUCT SPEC		POWER/GUIDE PIN HOUSING	
1-PLC	±0.2	APPLICATION SPEC		MOLDED, 2mm HM	
2-PLC	±0.2	MATERIAL		SIZE CAGE CODE DRAWING NO	
3-PLC	±0.2	FINISH		A1 00779 C=646274	
4-PLC	±0.2	WEIGHT		RESTRICTED TO	
ANGLES		CUSTOMER DRAWING		SCALE 8:1 SHEET 1 OF 1 REV C	