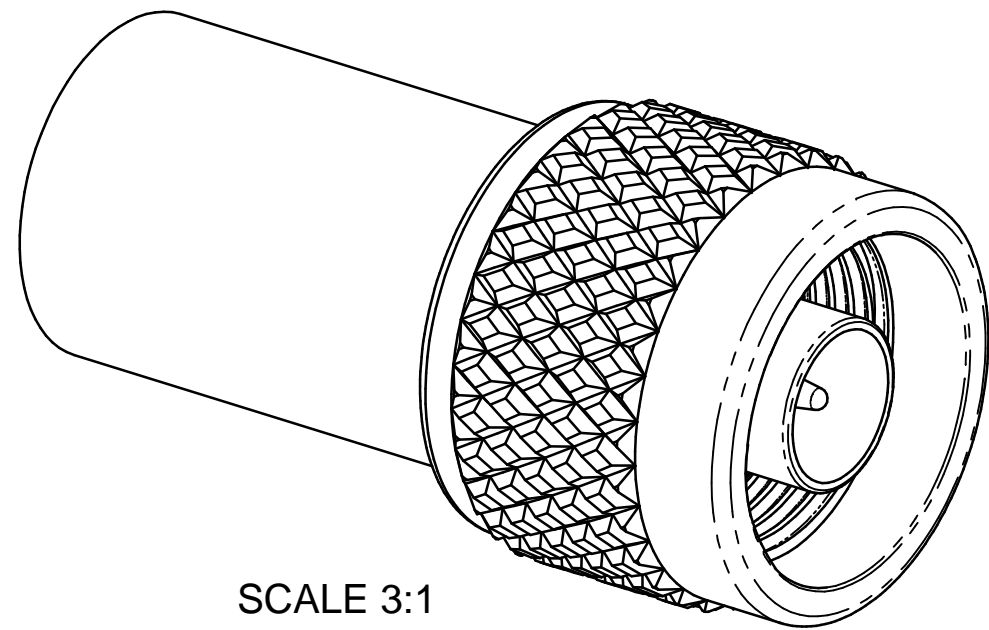
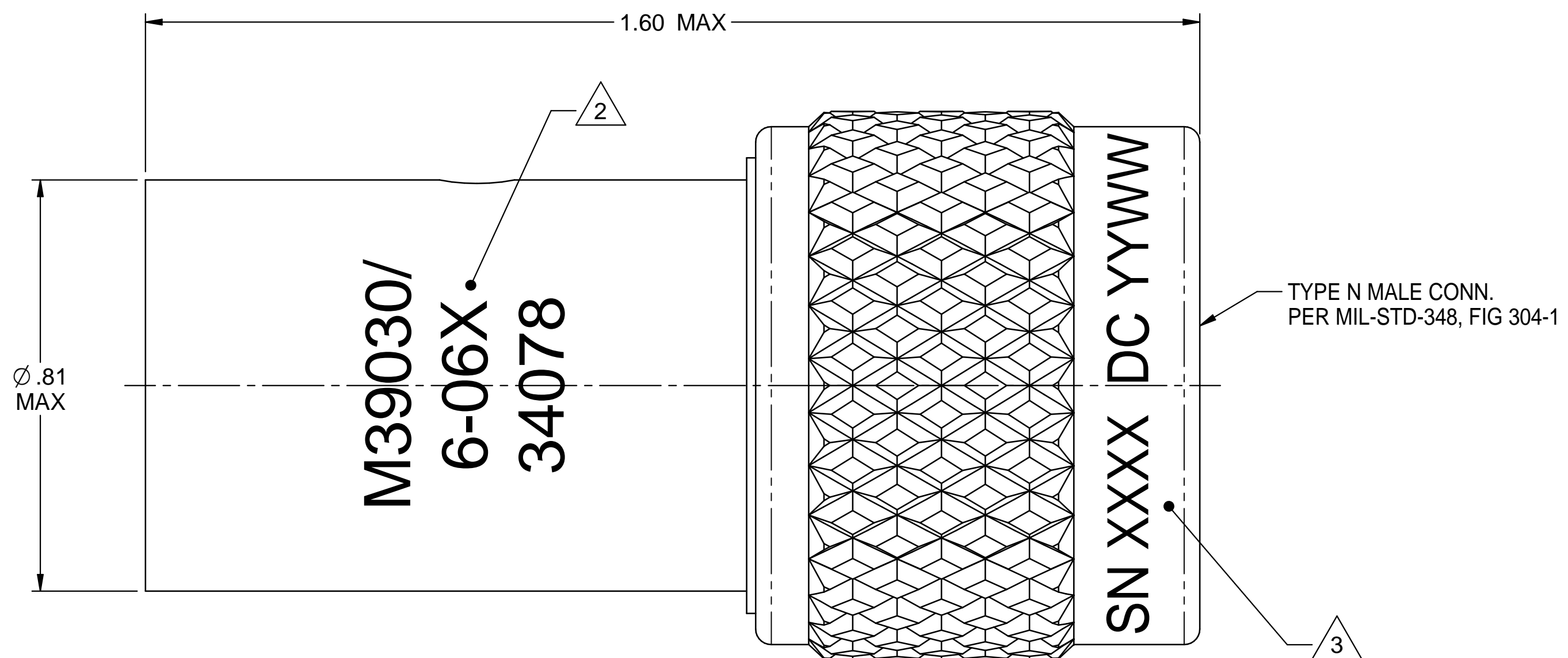


REV	ECO	DATE
K	23250	2/1/11
L	24368	10/18/12
M	25413	8/11/15



SCALE 3:1



NOTES: UNLESS OTHERWISE SPECIFIED.

1. SPECIFICATIONS:
- 1.1 FREQUENCY RANGE: DC TO 18.0 GHz
 - 1.2 VSWR: 1.05 +.007 F (GHz) MAX.
 - 1.3 POWER HANDLING: 2 WATTS AVG. DERATED TO 10% AT +125°C, 1.0 KILOWATT PEAK.
 - 1.4 OPERATING TEMP. RANGE: -55°C TO +125°C
 - 1.5 MAXIMUM WEIGHT: 3 OZ (85 GRAMS)

2. MARK UNIT AS SHOWN.

3. MARK COUPLING NUT AS SHOWN:
 SN XXXX = 4 DIGIT SERIAL NO
 DC YYWW = YEAR & WEEK DATE CODE

OUTLINE DRAWING

	Model No. M39030/6-06(N OR S)		MIDWEST MICROWAVE		
	Cage Code 34078		Title TERMINATION		Material
<small>This PROPRIETARY Document is property of Emerson Network Power Connectivity Solutions. It is confidential in nature, non-transferable, and issued with the clear understanding that it is not traced or copied without permission and is returnable upon demand.</small>	UNLESS OTHERWISE SPECIFIED UNITS: INCHES .XX ±.01 .XXX ±.003 .XXXX ±.0010 ANGLES ±1°00'		3RD ANGLE PROJECTION - ⊕ -		Drawing No. M39030/6-06(N OR S)-01
	Drawn by CWW	Date 8/14/15	Rev. M	Finish	
	Approved by PAK	Date 8/17/15	Size C	DO NOT SCALE DRAWING	Scale 6:1