

## RAFIX 22 FSR Pushbutton, illuminated, lens translucent blue

### 1.30.280.001/2601



#### General information

Form of lens	flush
Color of lens	translucent blue
Color of front ring	black
Form of collar	round

#### Dimensions

Dimensions of collar	ø 31.3 mm
Overall height	12.2 mm
Mounting hole	22.3 mm
Key grid	35 x 35 mm

#### Mechanical design

Mounting	ring nut
Contact function	momentary
Illuminability	yes
Torque for nut ring	1.2 Nm

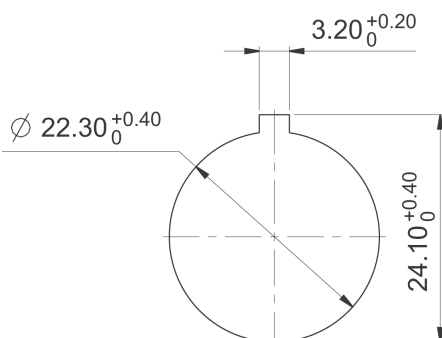
#### Mechanical characteristics

Operating travel	4 mm
Robustness max.	100 N

#### Other specifications

Ambient temp. operating min.	-40 °C
Ambient temp. operating max.	+85 °C
Storage temperature min.	-40 °C
Storage temperature max.	+85 °C
Degree of protection from front side	IP65 (DIN EN 60529), IP69K (ISO 20653) water temp. 23 °C +/- 3 °C
Environmental resistance	acc. to IEC 60068-2-14, -30, -33 and -78
Salt spray	IEC 600 68-2-11
ROHS compliant	yes
REACH compliant	yes

Panel cut-out to IEC 60947-5-1



Technical data are approximate and intended solely for general orientation in the selection of a product.  
Subject to modifications and errors. Images and other graphics may only be similar.  
For more information, refer to [www.rafi.de](http://www.rafi.de) chapter Imprint / Data Protection.