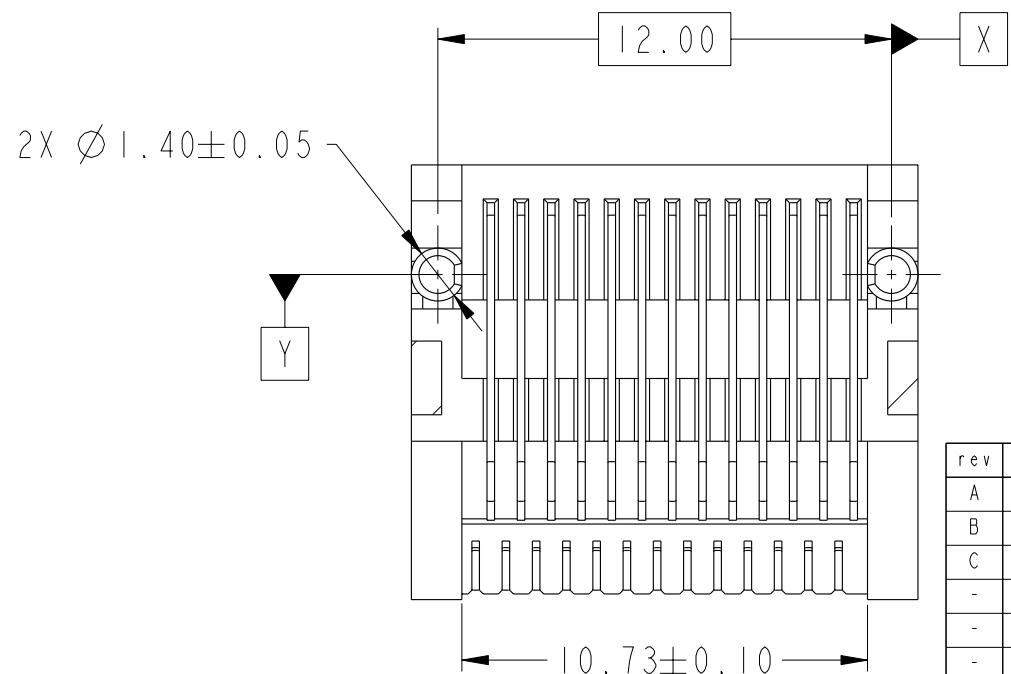
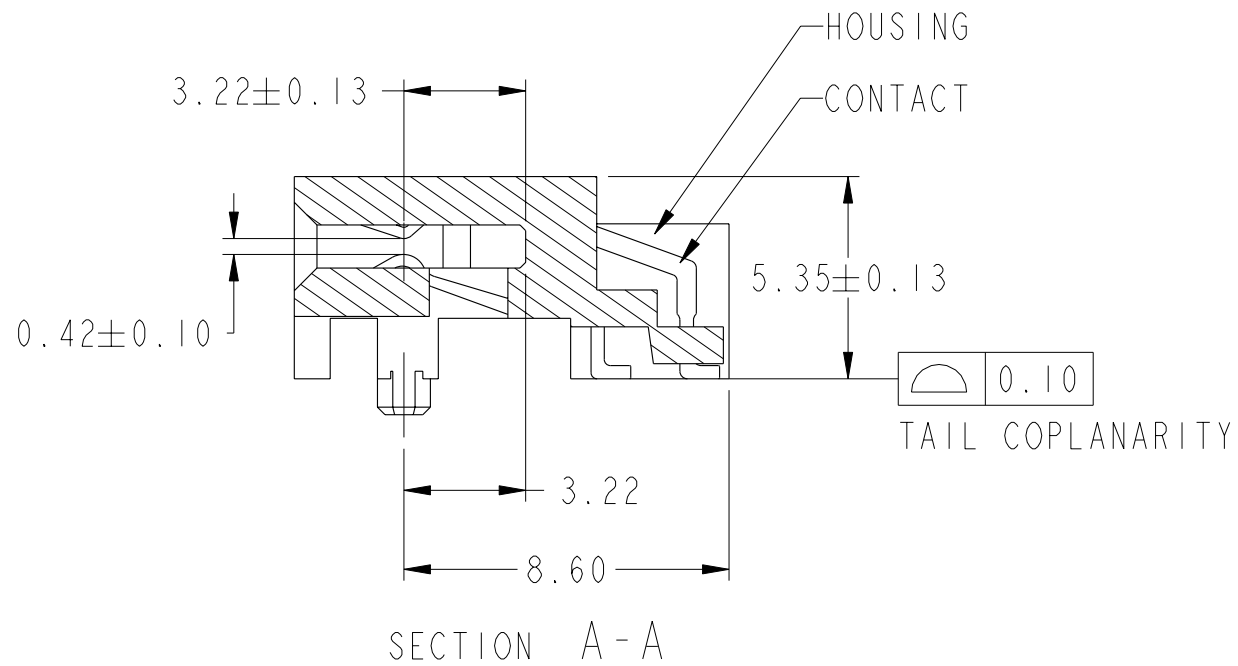
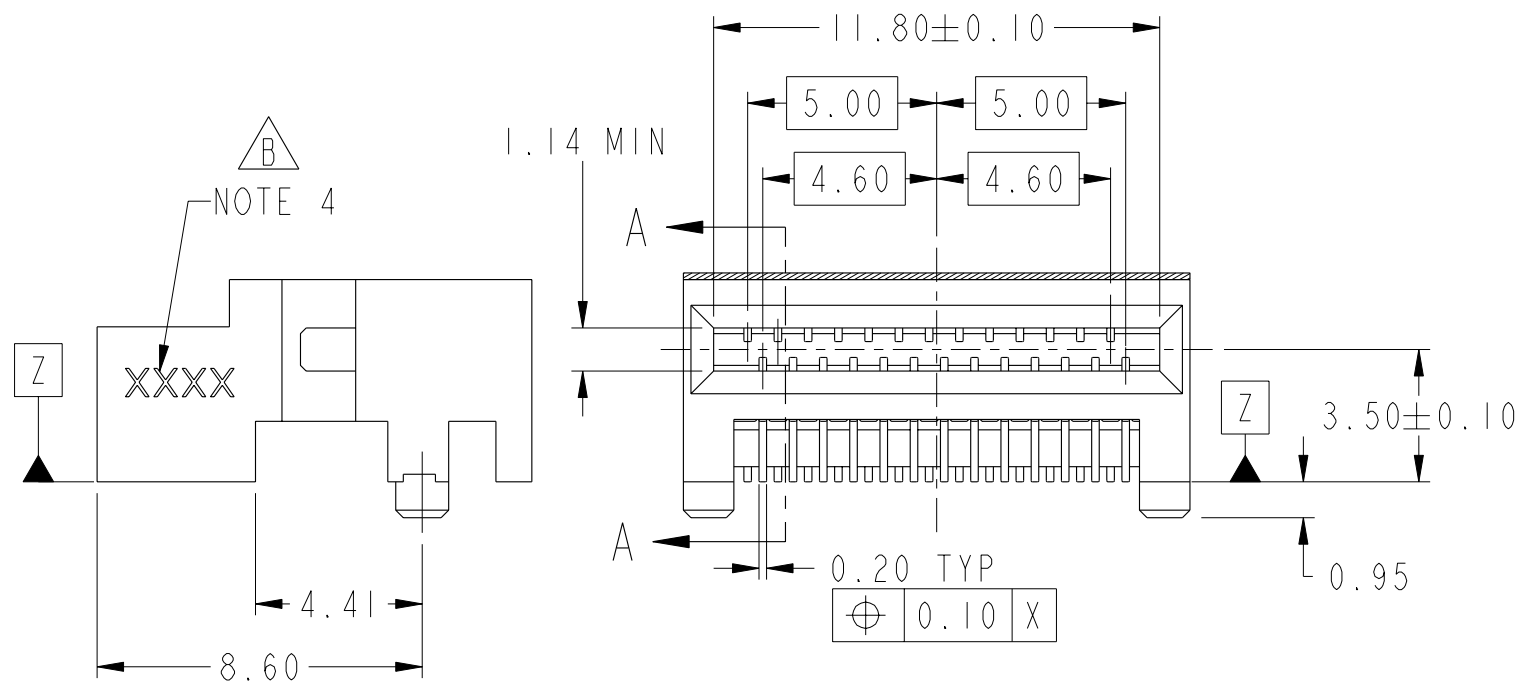
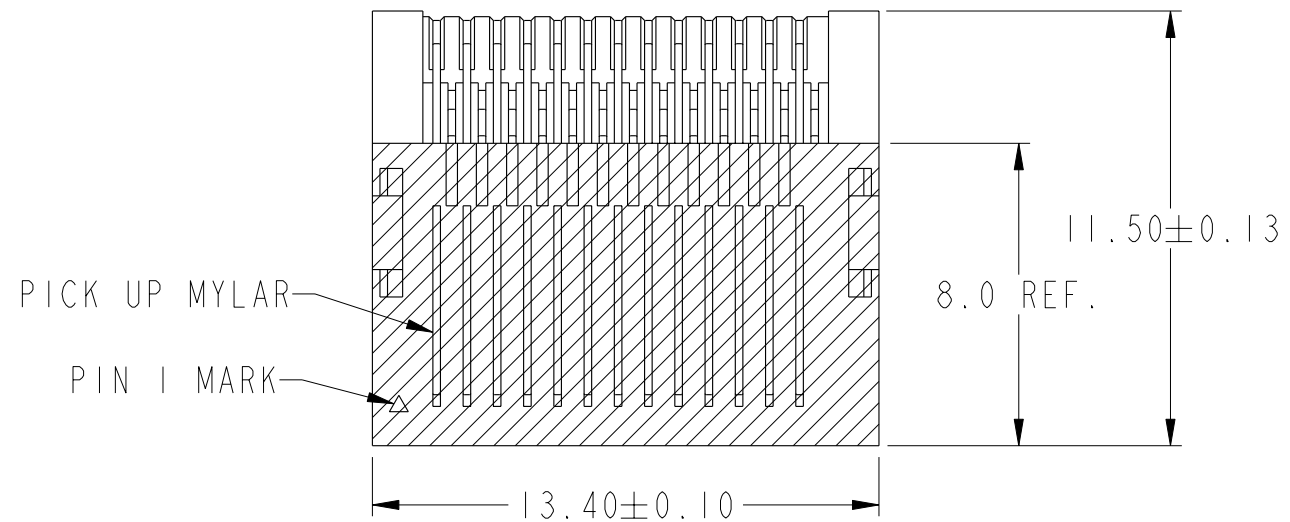
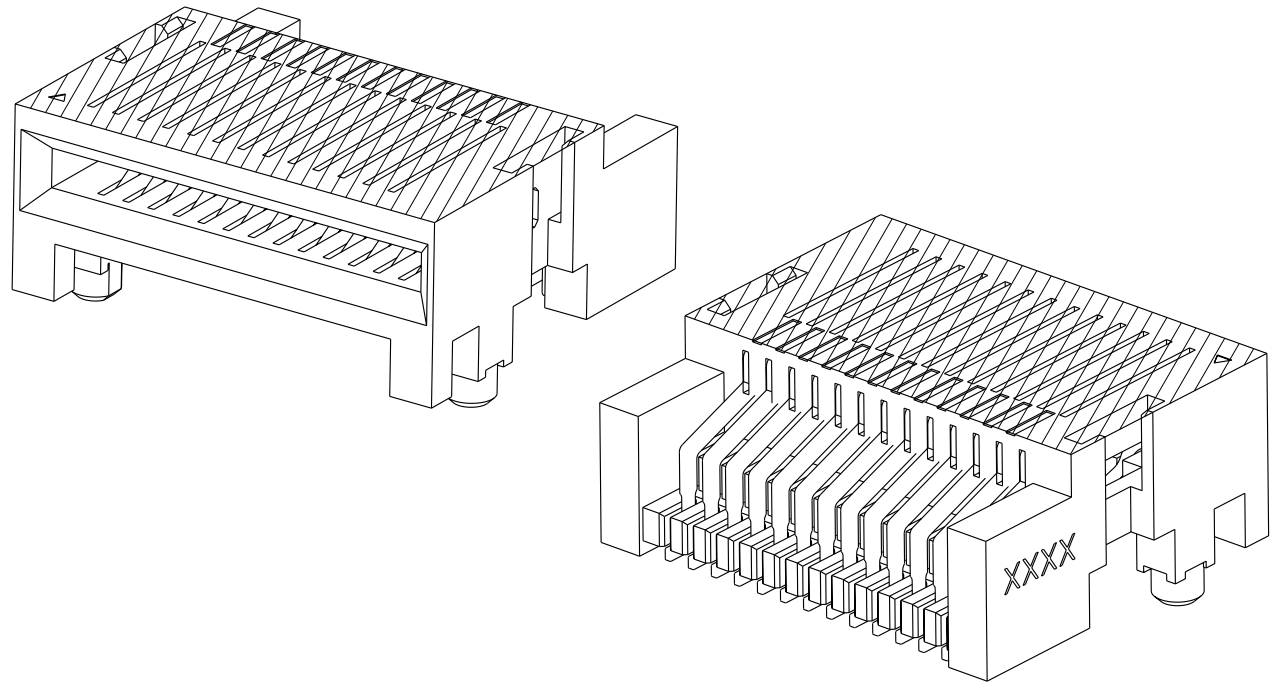


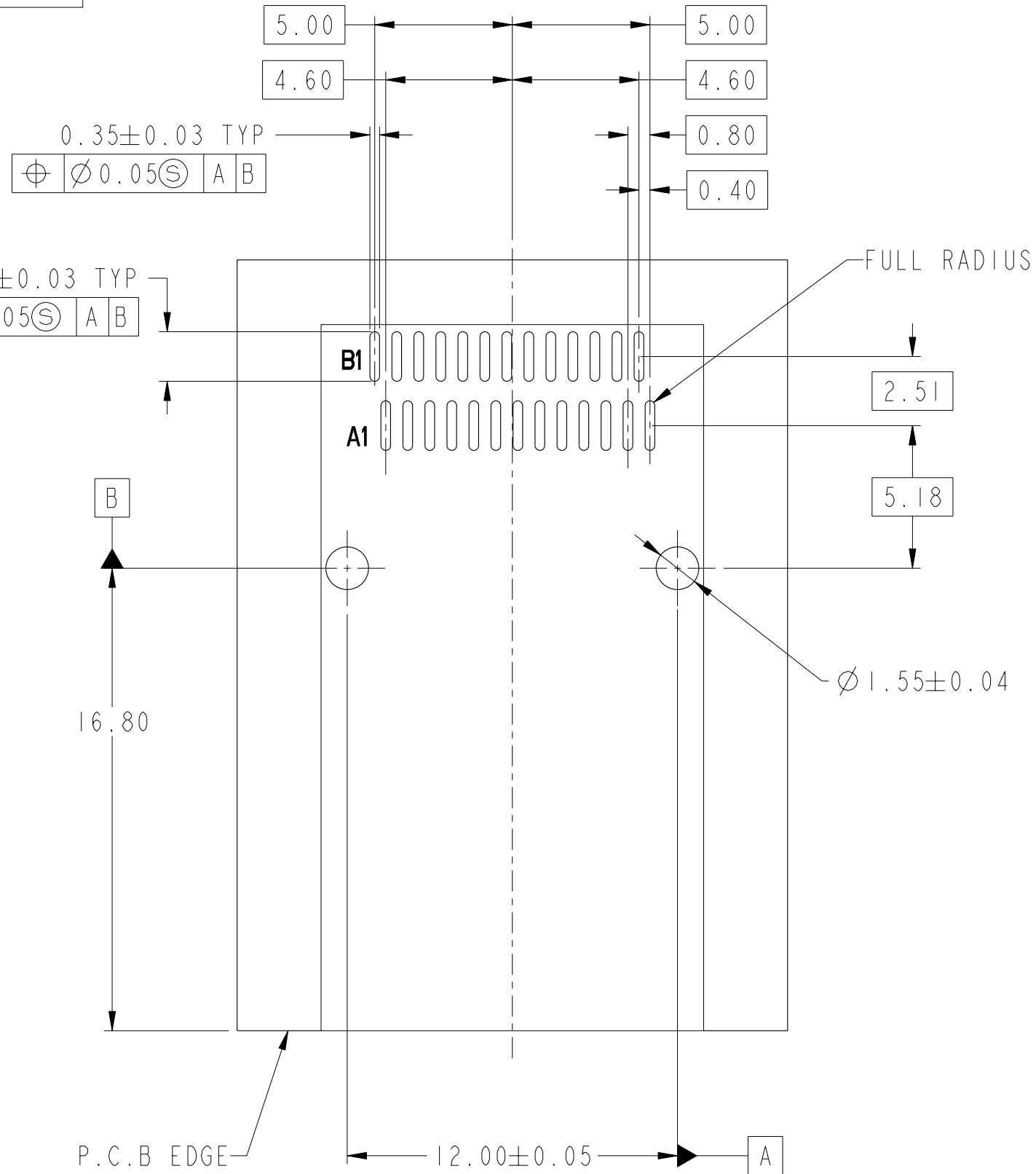
PRODUCT NUMBER	PLATING	PACKAGING TYPE
10098870-1102LF	0.76µm Au	TAPE & REEL WITH MYLAR



rev	ecn no	dr	date
A	V09-0420	RE	2009-08-20
B	V09-0508	MRG	2009-10-29
C	V09-0550	MRG	2009-11-19
-	-	-	-
-	-	-	-
-	-	-	-

www.fciconnect.com		surface ASME Y14.5	tolerance std ASME Y14.5	projection MM
		TOLERANCES UNLESS OTHERWISE SPECIFIED		
Dr	S. MANOHARAN	2009-03-30	ANGULAR	0.X ±0.25
Eng	J. SHUEY	2009-03-30	LINEAR	0.XX ±0.13
Chr	J. SHUEY	2009-03-30	0° ±1°	0.XXX ±-
Appr	J. SHUEY	2009-03-30	Product family	MINI SAS
FCi		R/A SMT 0.80mm PITCH		size A3
		MINI-SAS CONNECTOR		Scale 5:1
catalog no		-		ECN V09-0420
		CUSTOMER		Spec ref -
		10098870		Rev. C
		sheet 1 of 2		

PRODUCT NUMBER
10098870-1102LF



NOTES:



1. CONTACT MATERIAL: COPPER ALLOY
PLATING:
UNDERPLATING: NICKEL PLATING OVER ALL THICKNESS 1.27µm MIN.
CONTACT AREA: GOLD PLATING (SEE TABLE)
HOUSING MATERIAL: HIGH-TEMP THERMOPLASTIC, COLOR: BLACK
FLAME RETARDANT PER UL 94V-0

2. PRODUCT SPECIFICATION: GS-12-548

3. APPLICATION SPECIFICATION: GS-20-124

 4. DATE CODE PRINTED APPROXIMATELY AS SHOWN.

 5. PRODUCT MEETS EUROPEAN UNION DIRECTIVES AND OTHER COUNTRY REGULATIONS AS DESCRIBED IN GS-22-008.

 6. A  SYMBOL WILL BE NEXT TO ANY DIMENSION, VIEW, OR NOTE WHICH HAS BEEN MODIFIED WITH THE CURRENT DRAWING REVISION.



Copyright FCI.

	TITLE R/A SMT 0.80mm PITCH MINI-SAS CONNECTOR	dwg no 10098870	Rev. C
	catalog no -	CUSTOMER	sheet 2 of 2