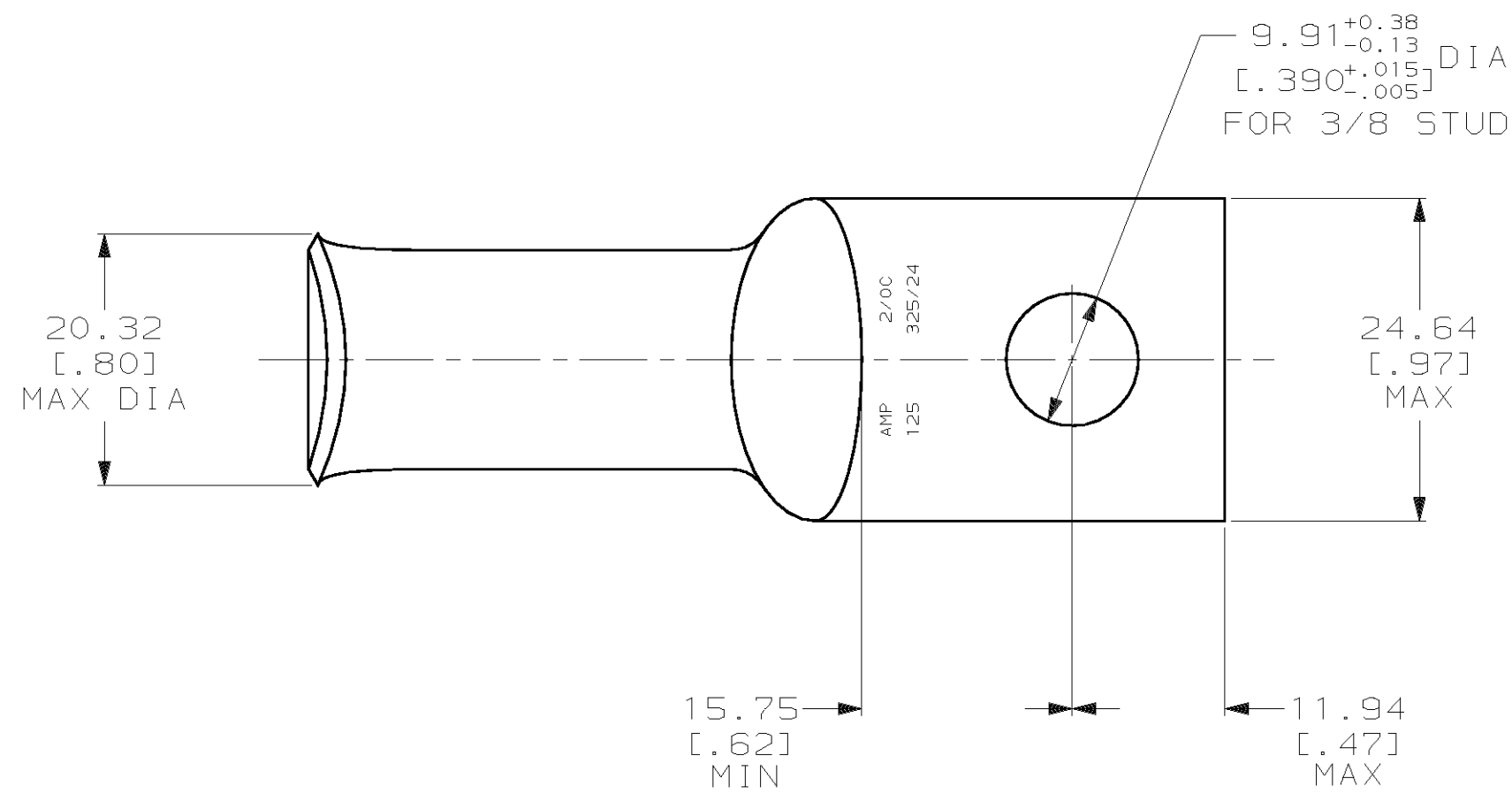
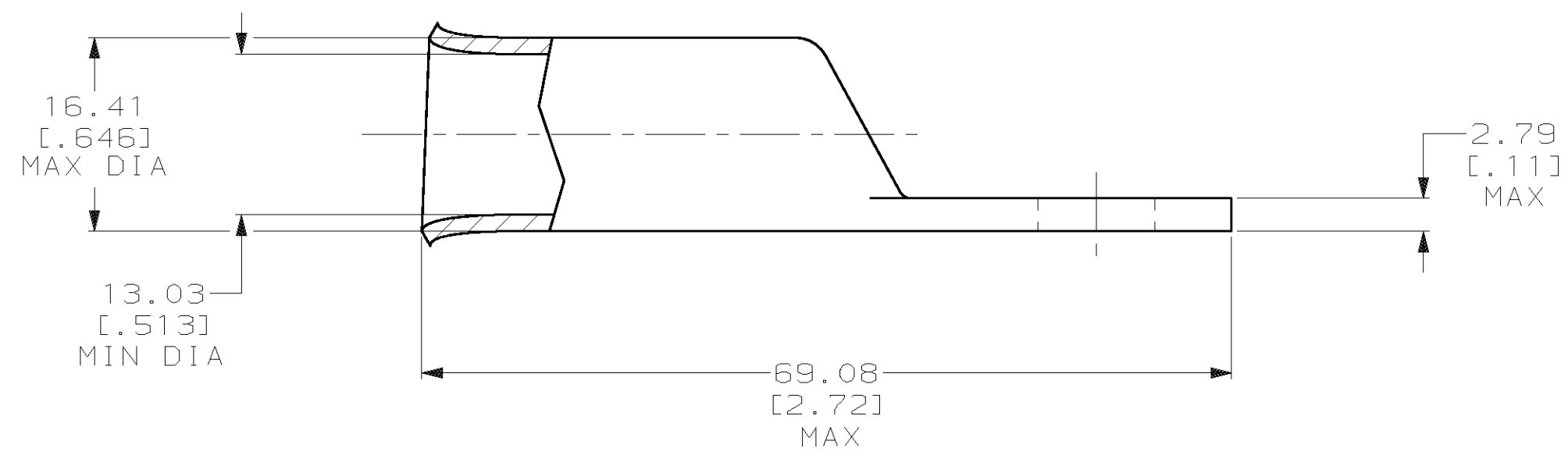


THIS DRAWING IS UNPUBLISHED. RELEASED FOR PUBLICATION, 19 .  
 © COPYRIGHT 19 BY AMP INCORPORATED. ALL INTERNATIONAL RIGHTS RESERVED.

LOC		DIST		P		F		ZONE		LTR		REVISIONS		DATE	APPD
G		86										J	REV PER 0G3A-0561-01	07OCT02	JR MS



- 1 CIRCULAR MIL RANGE: 119,500-150,500 CM
- 2 TIN PL 0.00381 [.000150] MIN THK PER MIL-T-10727



DO NOT SCALE PRINT. UNLESS SPECIFIED DIMENSIONS IN mm [INCHES] TOLERANCES ON : 2 PLC DEC ± 0.51 [.020] 3 PLC DEC ± - ANGLES ± -		DR 02/28/90 DK SCHRUM	AMP INCORPORATED Harrisburg, Pa. 17105		
MATERIAL ANNEALED COPPER ASTM B-75		CHK 17JAN95 MS FEHER			
FINISH 2		APPD 17JAN95 WJ VOCKROTH	NAME TERMINAL, AMPPOWER™ WIRE SIZE: 2/0 AWG		
APPLICATION SPEC -		APPD 17JAN95 TL SHUTTER	SIZE C	CAGE CODE 00779	DRAWING NO 325410
WEIGHT .072 LB		PRODUCT SPEC -	SCALE 2:1	SHEET 1 OF 1	

325410

325410  
PART NO