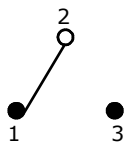
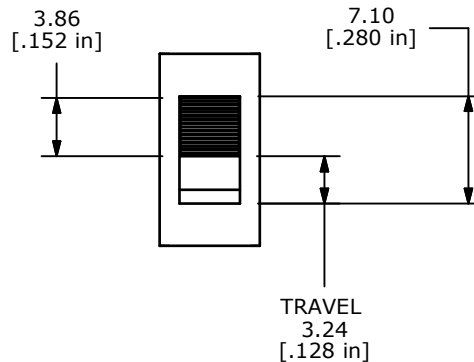


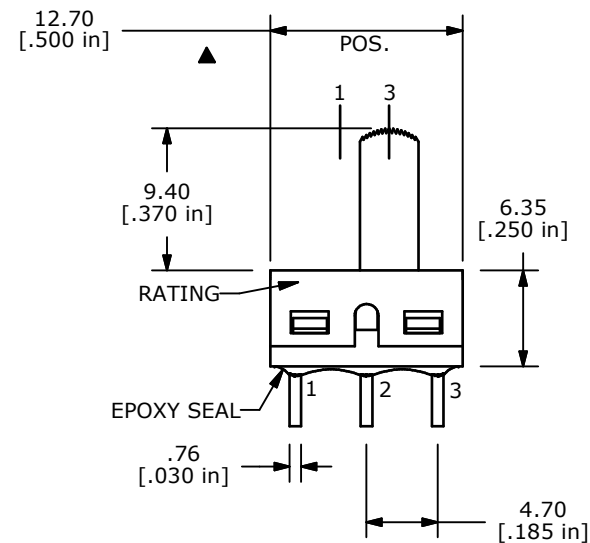
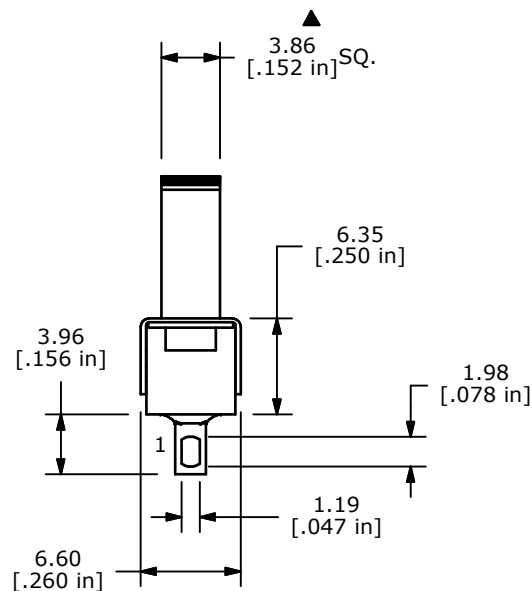
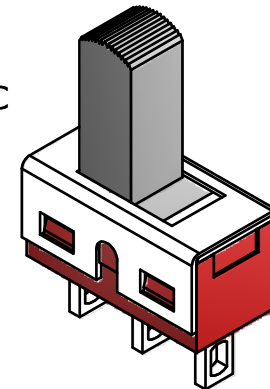
SWITCH FUNCTION		
POS. 1	POS. 2	POS. 3
ON	OFF	ON
2-1	OPEN	2-3



CIRCUIT: SPDT



ISOMETRIC



NOTE:

1. ALL DIMENSIONS IN MM [INCH]
2. GENERAL TOLERANCE: X.X=±0.4
X.XX=±0.25
3. TERMINAL NUMBERS FOR REF ONLY
4. PLATING MATERIAL: SILVER
- ▲ 5. RATING: 2A @ 250 VAC
5A @ 120 VAC (OR 28 VDC)
6. CONTACT RESISTANCE: 10 Milli-OHMS MAX.
7. LIFE EXPECTANCY: 30,000 MAKE AND BREAK CYCLES.
8. INSULATION RESISTANCE: 1,000 MEGA-OHM MIN.
9. DIELECTRIC STRENGTH: 1,000 V RMS @SEA LEVEL.
10. OPERATING TEMP.: -30°C to 85°C
11. ▲ DENOTES CRITICAL PARAMETER.
12. 2002/95/EC (ROHS) COMPLIANT



B	18447	FIX TITLE (WAS 500SSP3S2M1QEA)	3/11/09	BLR
A	18417	RELEASE FOR PRODUCTION	3/2/09	BLR
REV	PCR NO	DESCRIPTION	DATE	BY

TITLE 500SSP3S3M1QEA				
SCALE 2:1	DATE 3/11/2009	DR BLR	DWG T514006	REV B

THE INFORMATION CONTAINED IN THIS DOCUMENT IS PROPRIETARY TO E-SWITCH AND IS NOT TO BE COPIED OR TRANSFERRED