



PRODUCT NUMBER
20020622-MXXXXXXLF

20020622-□ □ □ □ A 0 □ L F

PITCH  
M: 7.62 mm

POLES  
02: 2 POLES  
03: 3 POLES  
04: 4 POLES  
:  
:  
16: 16 POLES

LF : DENOTED RoHS COMPATIBLE

1 : STANDARD PRODUCT  
W/ BOX PACKING

PROPERTY TABLE	
FCI SERIES NAME	07-762
PITCH (mm)	7.62
VOLTAGE RATING (VAC)	300
CURRENT RATING (A)	32
WITHSTANDING VOLTAGE (kV)	1.6
OPERATING TEMP. (°C)	-40~+115
SOLDERING TEMP. (°C)	250±10 (5 sec.)
POLES AVAILABLE	02~16
SAFETY CERTIFICATE	

HOUSING CODE

CODE	COLOR	AVAILABILITY
1	GREEN(RAL 6018/T)	STANDARD
2	BLACK	ON REQUEST ONLY
3	GREY(RAL 7004/P)	ON REQUEST ONLY
4	BLUE(RAL 5015/A)	ON REQUEST ONLY

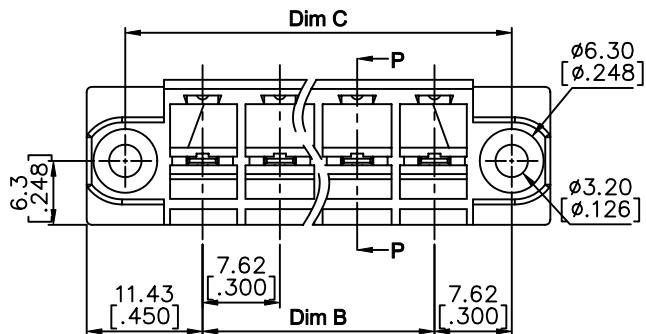
NOTES:

- MATERIALS  
1-1 HOUSING: THERMALPLASTIC RESIN, UL 94V-0 RATED.  
1-2 TERMINAL: COPPER ALLOY, TIN PLATED.
- PRODUCTION SPECIFICATION REFER TO FCI GS-12-625.
- BOXED PACKAGING.  
DETAILED PRODUCT PACKING SPECIFICATION REFER TO FCI GS-14-1394.
- FCI, SAFETY CERTIFICATE LOGO AND SERIES NAME TO BE SHOWN ON PRODUCT SURFACE.
- THE PRODUCTS WHERE THE PART NUMBER END IN "LF" MEET THE EUROPEAN UNION DIRECTIVE AND OTHER COUNTRY REGULATIONS AS DESCRIBED IN GS-22-008.
- RECOMENDED SOLDERING PROCESS BY WAVE SOLDER.

mat'l. code		surface ASME Y14.5		tolerance ASME Y14.5		projection		product family		
		tolerances unless otherwise specified						TERMINAL BLOCK		
ltr	ecn no	dr	date	angles to file	X.±0.5[.020]		MM INCH	title		
A	T10-0062	WL	050710		X.X±0.3[.012]			TERMINAL BLOCK		
B	T10-0155	WL	093010		X.XX±0.1[.004]			PLUGGABLE SOCKET, POWER, FEED THROUGH		
C	T10-0187	WL	121410					W/FLANGE		
D	T11-0005	WL	012611					dwg no		
E	T-004860	WL	080411	dr	WENDY CHEN	042310	sheet 1 of 2	size		
				enr	JASON HSU	042310	20020622	A4		
				chr	GARY HSIEH	042310				
				appd	JOSEPH HSIA	042310				
sheet	revision	E	E						type	
index	sheet	1	2						CUSTOMER Drawing	

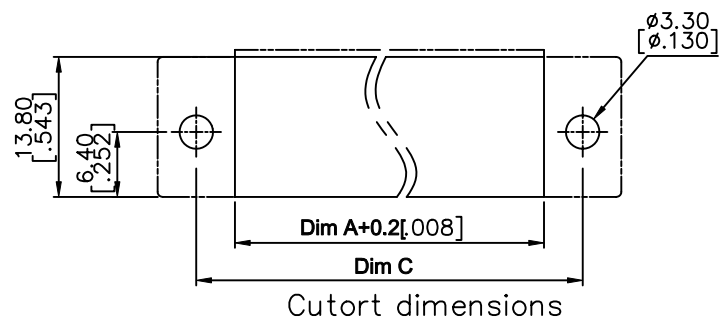
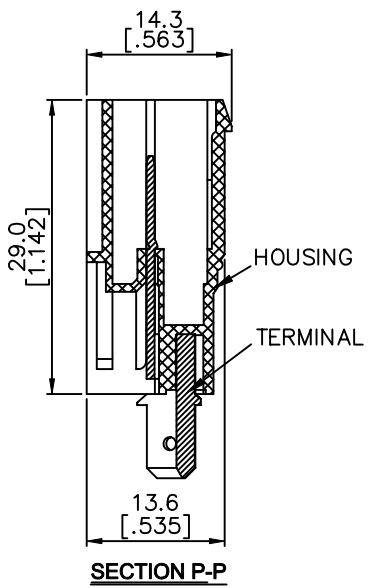
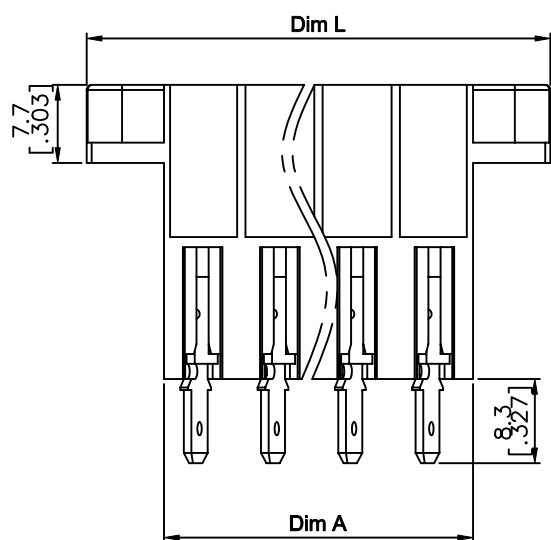


PRODUCT NUMBER	SERIES NAME	PITCH
20020622-MXXXXXXLF	07-762	7.62 mm



N = Number of poles  
 $\text{Dim L} = (N-1) \times 7.62 [0.300] + 22.86 [0.900]$   
 $\text{Dim A} = N \times 7.62 [0.300]$   
 $\text{Dim B} = (N-1) \times 7.62 [0.300]$   
 $\text{Dim C} = (N+1) \times 7.62 [0.300]$

Poles	Dim L	Dim A	Dim B	Dim C
2-4p	$\pm 0.15$	.006		
5-8p	$\pm 0.25$	.010		
9-12p	$\pm 0.35$	.014		
13-16p	$\pm 0.40$	.016		



mat'l. code		surface ASME Y14.5	tolerance ASME Y14.5	projection 	product family TERMINAL BLOCK
ltr	ecn no	dr	date	title TERMINAL BLOCK PLUGGABLE SOCKET, POWER, FEED THROUGH W/FLANGE	
E				angles X°±1'	scale MM [INCH]
		dr	WENDY CHEN	042310	sheet 2 of 2 size
		enr	JASON HSU	042310	20020622
		chr	GARY HSIEH	042310	
		appd	JOSEPH HSIA	042310	
sheet index	revision sheet				type CUSTOMER Drawing